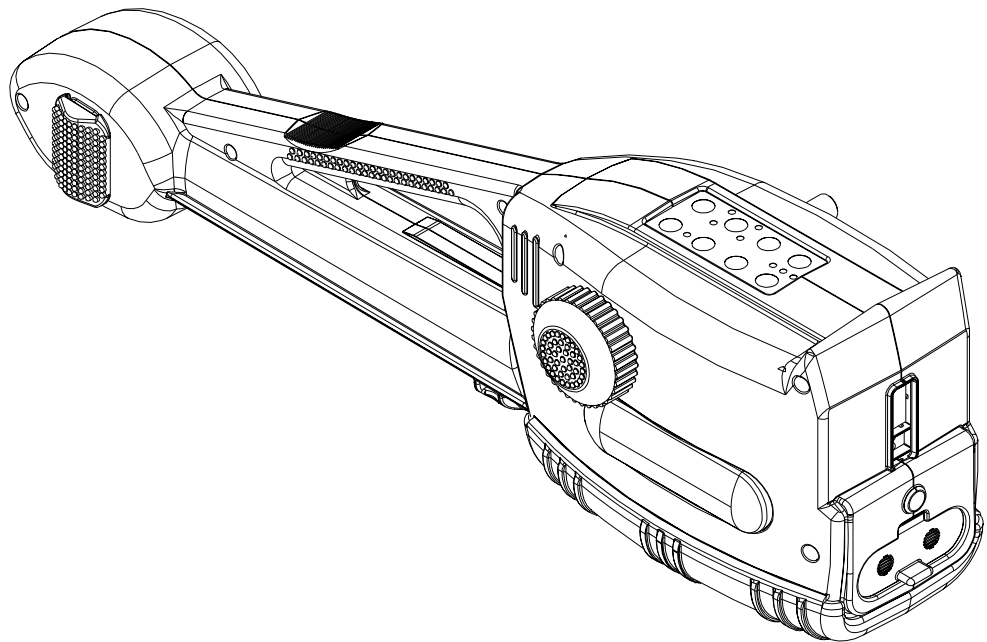


***Snap-on***  
***Equipment***



***CCD Alignment***  
***Technology***

**SPARE PARTS LIST**

TEEWA511A3 (Rev F)

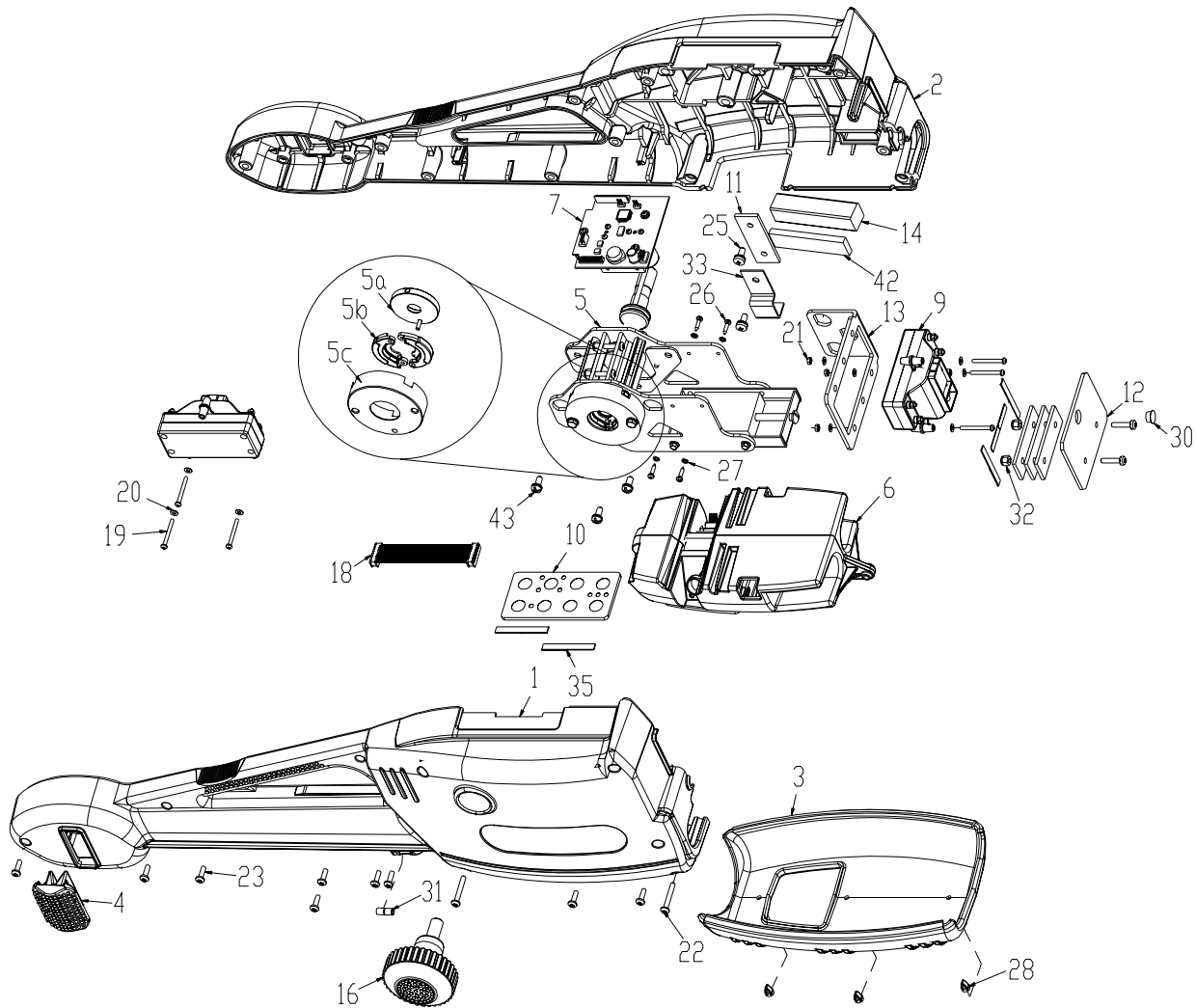
All information contained or disclosed in this document is considered confidential and proprietary by Snap-on Tools Company. All manufacturing, use, reproduction, and sales rights are reserved by Snap-on Tools Company and the information contained herein shall not be used in whole or in part without the express written consent of Snap-on Tools Company.

# Table of Contents

|   |    |
|---|----|
| Wheel Sensor Version II .....               | 2  |
| Rear 6 Sensor Version II .....              | 4  |
| Wheel Sensor Version I .....                | 6  |
| PC Assembly .....                           | 9  |
| Rear 6 Sensor Version I .....               | 10 |
| Battery Charger - Cordless .....            | 13 |
| Battery Charger - Cordless Version II ..... | 14 |
| USB HIB Shelf Assy .....                    | 15 |
| USB HIB Box .....                           | 16 |
| Remote Readout .....                        | 18 |
| Wheel Clamp Version I .....                 | 20 |
| Wheel Clamp Version II .....                | 22 |
| Quick Clamp .....                           | 24 |
| Truck Wheel Clamp .....                     | 25 |
| Miscellaneous Parts .....                   | 26 |
| Optional Femas Accessories .....            | 27 |
| Femas Clamp .....                           | 27 |
| Calibration Equipment .....                 | 28 |
| Dual Wheel Adapter .....                    | 28 |
| Spoiler Adapter .....                       | 28 |
| Main Sensor Power Cable .....               | 29 |
| Tilt Cable .....                            | 29 |
| HIB to Wheel Sensor Cable .....             | 30 |
| Electronic TT to Wheel Sensor .....         | 30 |
| HIB Box To Junction Box Wired Lift .....    | 31 |
| ETT / Remote To HIB .....                   | 32 |
| Rack Wiring Kit .....                       | 33 |
| Cable Assembly Wired Lift .....             | 34 |
| Cable Assembly Junction Box .....           | 34 |
| Junction Box Assembly .....                 | 35 |
| Additional Rack Wiring Kits .....           | 36 |

# Wheel Sensor Version II

|             |                      |          |
|-------------|----------------------|----------|
| EAA0305J01B | HEAD ASSY-CORDED, LH | JBC/GS   |
| EAA0305J02B | HEAD ASSY-CORDED, RH | JBC/GS   |
| EAA0305J05B | HEAD ASSY-CORDED, LH | HOF/SUN  |
| EAA0305J06B | HEAD ASSY-CORDED, RH | HOF/SUN  |
| EAA0305J56B | HEAD ASSY-CORDED, LH | MERCEDES |
| EAA0305J57B | HEAD ASSY-CORDED, RH | MERCEDES |
| EAA0305J74B | HEAD ASSY-CDLESS LH, | JBC/GS   |
| EAA0305J75B | HEAD ASSY-CDLESS RH, | JBC/GS   |
| EAA0305J76B | HEAD ASSY-CDLESS, LH | HOFMANN  |
| EAA0305J77B | HEAD ASSY-CDLESS, RH | HOFMANN  |
| EAA0305J78B | HEAD ASSY-CDLESS, LH | MERCEDES |
| EAA0305J79B | HEAD ASSY-CDLESS, RH | MERCEDES |
| EAA0305J81B | HEAD ASSY-CDLESS, LH | SUN      |
| EAA0305J82B | HEAD ASSY-CDLESS, RH | SUN      |
| EAA0321J40B | HEAD ASSY-CDLESS RH, | SNAPON   |
| EAA0321J41B | HEAD ASSY-CDLESS LH, | SNAPON   |



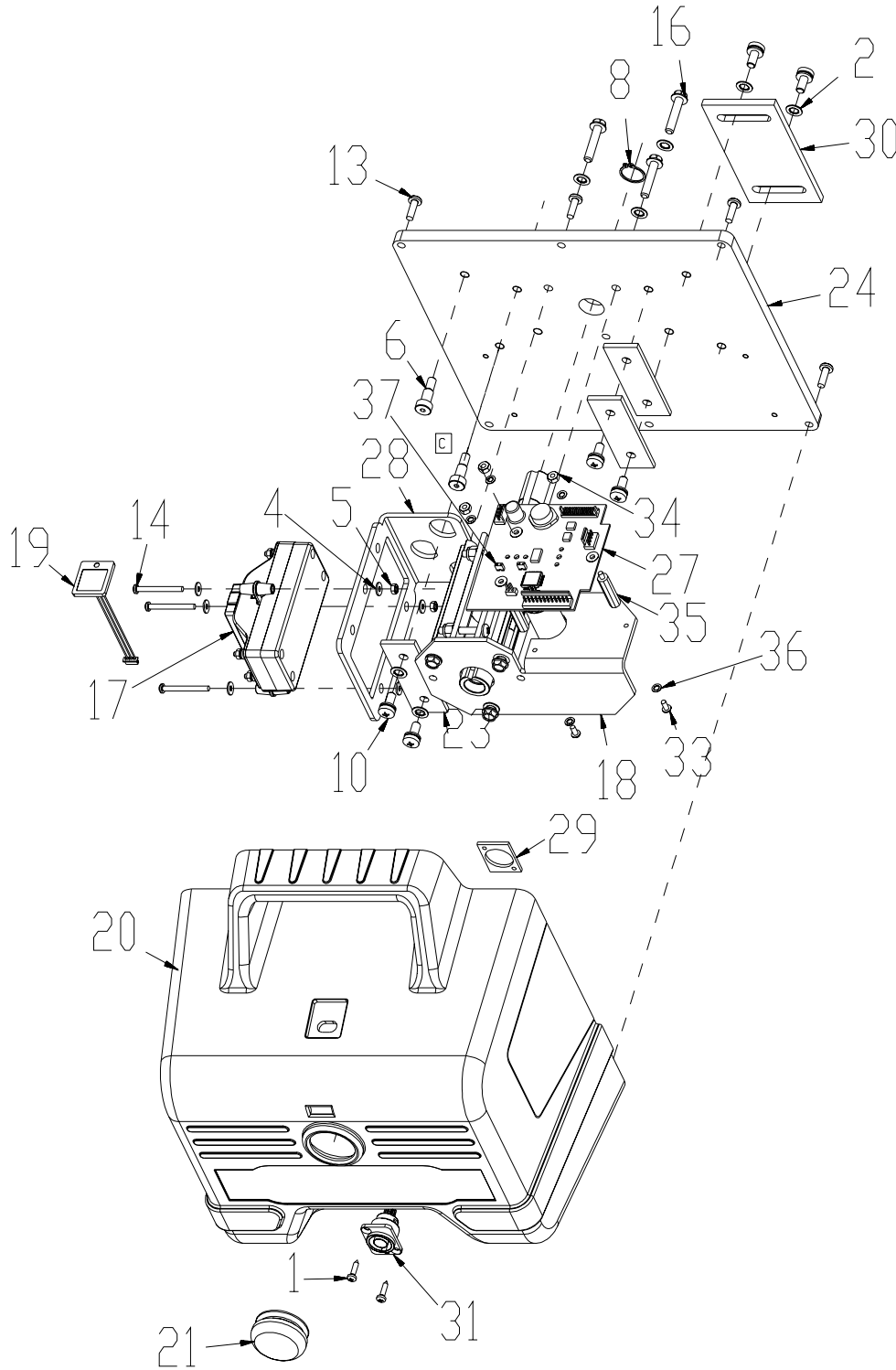
## Wheel Sensor Version II

| <u>Ref</u> | <u>Qty</u> | <u>Part Number</u> | <u>Description</u>                 | <u>Brand</u>    |
|------------|------------|--------------------|------------------------------------|-----------------|
| 1          | 1          | EAC0055J03A        | Head Cover, LH                     | HOF             |
|            | 1          | EAC0055J23A        | Head Cover, LH, JBC                | JBC/GS/Mer/Accu |
|            | 1          | EAC0055J32A        | Head Cover, LH, SUN                | SUN             |
| 2          | 1          | EAC0055J04A        | Head Cover, RH                     | HOF             |
|            | 1          | EAC0055J24A        | Head Cover, RH JBC                 | JBC/GS/Mer/Accu |
|            | 1          | EAC0055J33A        | Head Cover, RH SUN                 | SUN             |
| 3          | 1          | EAC0055J05A        | Bumper - Head, Main, JB            | JBC/GS/Mer/Accu |
|            | 1          | EAC0055J35A        | Bumper - Head, Main,               | HOF             |
| 4          | 1          | EAC0055J29A        | Front Bumper                       | All             |
| 5          | 1          | EAA0305J52A        | Skeleton Assy - LH, Mercedes       | Mercedes        |
|            | 1          | EAA0305J53A        | Skeleton Assy - RH, Mercedes       | Mercedes        |
|            | 1          | EAS2022J12A        | Skeleton Assy - Head, LH           | JBC/GS/HOF/Accu |
|            | 1          | EAS2022J54A        | Skeleton Assy - Head, RH           | JBC/GS/HOF/Accu |
| 5a         | 1          | EAA0305J58A        | Collar - Brake SVC                 | All             |
| 5b         | 2          | EAC0055J17A        | Brake Shoe CCD Sensor              | All             |
| 5c         | 1          | EAM0023J71A        | Drum Brake Plastic                 | All             |
| 6          | 1          | EAA0256J09A        | Module Assy - Corded, LH           | All             |
|            | 1          | EAA0256J10A        | Module Assy - Corded, RH           | All             |
|            | 1          | <b>EAA0305J72A</b> | <b>MODULE ASSY-LH CORDLESS</b>     | <b>All</b>      |
|            | 1          | <b>EAA0305J73A</b> | <b>MODULE ASSY-RH CORDLESS</b>     | <b>All</b>      |
| 7          | 1          | EAK0268J93A        | Tilt Assy - Sensor                 | All             |
| 9          | 2          | EAA0321J93A        | Pod Assy - CCD Head                | All             |
| 10         | 1          | EAK0268J93A        | Keypad - CCD, Head                 | JBC/GS/Mer/Accu |
|            | 1          | EAE0049J13A        | Switch - Keypad, Head              | HOF             |
| 11         | 4          | EAM0007J22A        | Counterweight - Fixed              | All             |
| 12         | 1          | EAS2022J47A        | Door - Fixed                       | All             |
|            | 1          | <b>EAC0055J25A</b> | <b>DOOR-ACCESS,BATTERY Cdless</b>  | <b>All</b>      |
| 13         | 1          | EAS2022J08A        | Bracket - CCD, Rear Two            | All             |
| 14         | 1          | EAM0007J07A        | Weight - Secondary, CCD Head       | All             |
| 15         | 1          | EAL0374P21A        | Decal - CCD Head                   | Mercedes        |
|            | 1          | <b>EAL0343J16A</b> | <b>NAMEPLATE-SUN,HEAD Cdless</b>   | <b>SUN</b>      |
| 16         | 1          | EAC0055J31A        | Knob Assembly - Brake              | All             |
| 18         | 1          | EAW0235J53A        | Cable - Keypad                     | All             |
| 19         | 6          | 1-24706A           | Screw - PHMS, M3 X .5mm X 30mm     | All             |
| 20         | 9          | 1-9541             | Washer - Flat, M3 Din 125a         | All             |
| 21         | 3          | 1-01537A           | Nut - ESNA, M3 X .5mm              | All             |
| 22         | 2          | 1-24906A           | Screw - PHMS, M4 X .7mm X 30mm     | All             |
| 23         | 9          | 1-24606A           | Screw - PHMS, M4 X .7mm X 12mm     | All             |
| 24         | 2          | 1-15606A           | Screw - M4 X 20mm PHMS, Blk        | All             |
| 25         | 2          | 1-20906A           | Screw - PHMS, M5 X .8mm X 12m      | All             |
| 26         | 4          | 1-23223A           | Screw - Phil Pan M2.9x13           | All             |
| 27         | 4          | 1-3147             | Washer - M3, Int Tooth             | All             |
| 28         | 3          | 8-02340A           | Clip - Key Hole, Nylon - Black     | All             |
| 30         | 1          | 1-03676A           | Plug - Dome                        | All             |
| 31         | 1          | 1-16981A           | Level Vial - P/N 0150              | All             |
| 32         | 2          | 1-01737A           | Nut - ESNA, M4                     | All             |
| 33         | 1          | EAS2022J75A        | Plate - Retain, CW                 | All             |
| 35         | 0.83       | 5-09826A           | Strip - Cell Foam, 1/16x1/4, Adhes | All             |
| 38         | 2          | 1-18941A           | WASHER-FLAT,,195X.619X.06THK       | SO/SUN/HOF      |
| 42         | 0.084      | 00985271000        | Strip - Seal, 1/4" X 1"            | All             |
| 43         | 3          | 1-16006A           | Screw - M5 X 12mm Pan Hd, Blk      | All             |
| 44         | 1          | 2-48204A           | JUMPER-2 PIN .100"                 | All             |

# Rear 6 Sensor Version II

EAA0305J09B - JBC Left Hand

EAA0305J10B - JBC Right Hand



## Rear 6 Sensor Version II

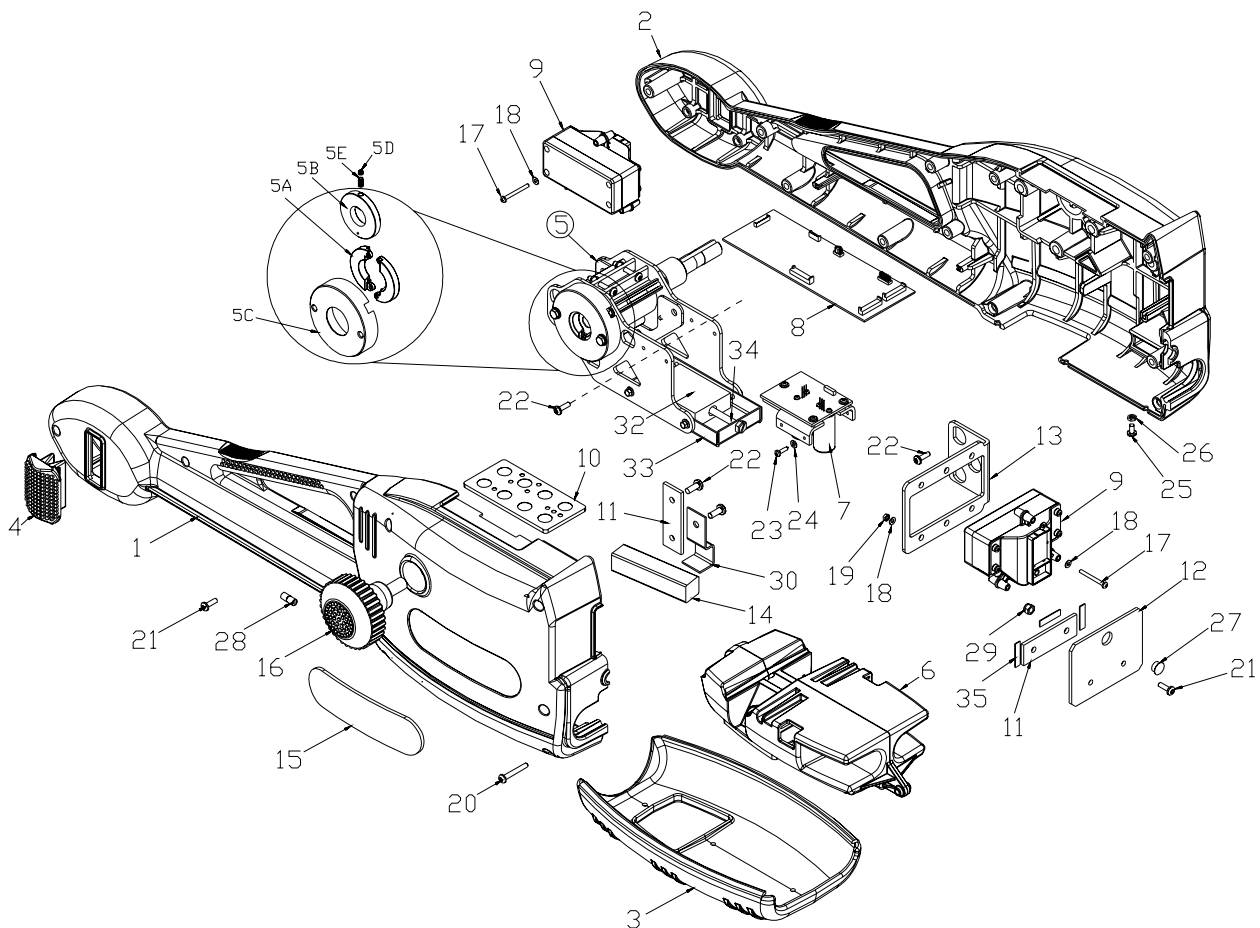
EAA0305J09B - JBC Left Hand

EAA0305J10B - JBC Right Hand

| <u>Ref</u> | <u>Qty</u> | <u>Part Number</u> | <u>Description</u>              |
|------------|------------|--------------------|---------------------------------|
| 1          | 2          | 1-23223A           | Screw - Phil Pan M2.9x13        |
| 2          | 7          | 1-4647             | Washer - M5, Int Tooth          |
| 4          | 6          | 1-11241            | Washer - Flat, M3               |
| 5          | 3          | 1-01537A           | Nut - Esna, M3 X .5mm           |
| 6          | 2          | 1-02111A           | Screw - Shoulder M5 X 10        |
| 8          | 1          | 1-13677A           | Ring - Retaining                |
| 10         | 6          | 1-20906A           | Screw - PHMS, M5 X .8mm X 12m   |
| 13         | 6          | 1-24606A           | Screw - PHMS, M4 X .7mm X 12mm  |
| 14         | 3          | 1-24706A           | Screw - PHMS, M3 X .5mm X 30mm  |
| 16         | 3          | 1-46201A           | Screw - Hhw Type F M5 X 25mm    |
| 17         | 1          | EAA0321J93A        | Pod Assy - CCD Head             |
| 18         | 1          | EAA0287J45A        | Skeleton Assy - RH, 6 Sensor    |
|            | 1          | EAA0287J47A        | Skeleton Assy - LH, 6 Sensor    |
| 19         | 1          | EAW0235J57A        | Key Pad Assy - 6 Sensor         |
| 20         | 1          | EAC0055J79A        | Cover - 6 Sensor RH Jbc         |
|            | 1          | EAC0055J80A        | Cover - 6 Sensor LH Jbc         |
| 21         | 1          | EAC0055J89A        | Bumper - 6 Sensor               |
| 23         | 3          | EAM0007J22A        | Counterweight - Fixed           |
| 24         | 1          | EAM0016J85A        | Plate - Back, 6 Sensor          |
| 27         | 1          | EAK0268J94A        | Tilt Assy - Sensor, Single Cal. |
| 28         | 1          | EAS2022J08A        | Bracket - CCD, Rear Two         |
| 29         | 1          | EAS2022J46A        | Plate - Con                     |
| 30         | 1          | EAS2048J20A        | Plate, Counter Weight 6 Sensor  |
| 31         | 1          | EAW0235J00A        | Cable Ass'y - Head, Main        |
| 33         | 3          | 1-01607            | Screw - 4 - 40 X 1/4 PHMS,      |
| 34         | 3          | 1-4233             | **Nut - Hex 4 - 40              |
| 35         | 3          | 1-11761A           | Standoff 4 - 40 X 1" M/F        |
| 36         | 6          | 1-3147             | Washer - M3, Int Tooth          |
| 37         | 2          | 2-48204A           | Jumper - 2 Pin .100"            |

# Wheel Sensor Version I

| <u>Part Number</u> | <u>Description</u>   |
|--------------------|--|
| EAK0222J35A        | LF/RR Wheel Sensor JBC / SVO                                 |
| EAK0222J36A        | RF/LR Wheel Sensor JBC / SVO                                 |
| EAK0222J44A        | LF/RR Wheel Sensor, Sun / SVO                                |
| EAK0222J45A        | RF/LR Wheel Sensor, Sun / SVO                                |
| EAK0222J56A        | Head Kit - LH Cordless JBC / SVO (Old Design Ref. WA-1045-1) |
| EAK0222J57A        | Head Kit - RH Cordless JBC / SVO (Old Design Ref. WA-1045-1) |
| EAK0256J75A        | Head Kit - LH Cordless JBC / SVO (New Design Ref. WA-1045-1) |
| EAK0256J76A        | Head Kit - RH Cordless JBC / SVO (New Design Ref. WA-1045-1) |
| EAK0256J87A        | Head Kit - LH Cordless SUN / SVO (New Design)                |
| EAK0256J55A        | Head Kit - RH Cordless SUN / SVO (New Design)                |





## Wheel Sensor Version I

| <u>Ref</u> | <u>Qty</u> | <u>Part Number</u> | <u>Description</u>                       |
|------------|------------|--------------------|--|
| 1          | 1          | EAC0055J23A        | Cover-head,LH JBC                        |
|            | 1          | EAC0055J32A        | Cover-head,LH SUN                        |
| 2          | 1          | EAC0055J24A        | Cover-head,RH Nutserts Installed JBC     |
|            | 1          | EAC0055J33A        | Cover-head,RH Nutserts Installed SUN     |
| 3          | 1          | EAC0055J05A        | Bumper - Main JBC                        |
|            | 1          | EAC0055J35A        | Bumper - Main SUN                        |
| *          | 3          | 8-02340A           | Push button Snap (Clear)                 |
| 4          | 1          | EAC0055J29A        | Bumper Front                             |
| <b>5</b>   | <b>1</b>   | <b>EAS2022J12A</b> | <b>Ass'y-skeleton,Head,LH</b>            |
|            | <b>1</b>   | <b>EAS2022J54A</b> | <b>Ass'y-skeleton,Head,RH</b>            |
|            | 2          | 1-2163             | Bearing-1.375odx.6idx.436thk             |
| *          | 1          | EAM0007J27A        | Spacer-extrusion,Skeleton(mach           |
| *          | 1          | EAC0055J15A        | Shaft-stub,Head                          |
| 5a         | 2          | EAC0055J17A        | Brake Shoe                               |
| *          | 1          | 6-00401A           | Spring                                   |
| *          | 1          | EAM0023J63A        | Spring Holder                            |
| *          | 2          | EAS2022J00A        | Plate-skeleton                           |
| *          | 1          | EAS2022J02A        | Bracket-counterweight                    |
| *          | 1          | EAS2022J03A        | Weight-counter                           |
| *          | 1          | EAS2022J04A        | Thread Rod-counterweight                 |
| *          | 1          | EAS2022J05A        | Plate-retain,Skeleton                    |
| 5b         | 1          | EAA0305J58A        | Collar-shaft (With Sheer Proof Pin)      |
| 5c         | 1          | EAM0023J41A        | Brake Drum ABS Plastic                   |
| *          | 1          | EAC0055J14A        | Tube-spacer                              |
| 5d         | 1          | 1-38610            | Screw - Set, M4 X 0.7 X 4MM, Cup Point   |
| 5e         | 1          | 1-39010A           | Screw - Set, M4 X 0.7 X 10MM, Cup Point  |
| *          | 3          | 1-13677A           | Retaining Ring-sh59                      |
| *          | 1          | 1-39010A           | Screw-set,M4x.7x10mm,Cup Pt              |
| *          | 1          | 1-17552A           | Dowel Pin-m2x12mm,Alloy Stl,Zn           |
| *          | 1          | 1-01637A           | Nut-esna,M6 X 1mm,Zinc                   |
| *          | 6          | 1-03425A           | Screw-m4x.7x8mm,Self Tap,Zinc            |
| *          | 8          | 1-3225A            | Screw-m5x.8x20mm,Slftp,Hx Hd,Z           |
| *          | 1          | 1-38610            | Screw-set,M4x.7mmx4mm,Cup Pt             |
| *          | 2          | 1-01315A           | Bolt-hhw,10-14,Semi Cup Pt               |
| *          | 2          | 1-24906A           | Screw-phms,M4x.7mmx30mm,Zinc             |
| *          | 2          | 1-01737A           | Nut-esna,M4,Zinc                         |
| *          | 8          | 1-4647             | Washer-internal Tooth,M5                 |
| <b>6</b>   | <b>1</b>   | <b>EAA0256J09A</b> | <b>Ass'y-corded Module,LH</b>            |
|            | <b>1</b>   | <b>EAA0256J10A</b> | <b>Ass'y-corded Module,RH</b>            |
| *          | 1          | EAC0055J26A        | Module - RF/Con., RH                     |
| *          | 1          | EAC0055J27A        | Module - RF/Con., LH                     |
| *          | 1          | EAS2022J46A        | Plate - Con                              |
| *          | 2          | 1-16523            | Screw - PHMS, M2.9 X 1 X 9.5MM, Self tap |
| *          | 3          | 1-24206A           | Screw - PHMS, M3 X 0.5 X 16MM            |
| *          | 1          | EAL0343J17A        | Label - Cover,                           |
| *          | 1          | 1-3776A            | Plug - Dome, 2673                        |
| <b>7</b>   | <b>1</b>   | <b>EAE0049J07A</b> | <b>Tilt Sensor-Assembly</b>              |
|            | 3          | 1-11241            | Washer - Flat M3                         |
|            | 3          | 1-16623            | Screw - PHMS, M2.9 X 1 X 13MM, Self Tap  |
|            | 3          | 1-09162A           | Spacer - .5MM OD X 3.2 MM ID X 5MM HT    |
|            | 1          | EAS2022J01A        | Bracket - Tilt                           |

Continued Next Page

## Wheel Sensor Version I

| <u>Ref</u> | <u>Qty</u> | <u>Part Number</u> | <u>Description</u>             |
|------------|------------|--------------------|--------------------------------|
| 8          | 1          | EAP0196G20A        | PCB Ass'y-main,CCD Head        |
| 9          | 2          | EAA0256J05A        | Ass'y-CCD, Cross & Track       |
| *          | 2          | EAW0235J18A        | CCD cable                      |
| <u>Ref</u> | <u>Qty</u> | <u>Part Number</u> | <u>Description</u>             |
| 10         | 1          | EAE0049J00A        | Keypad - CCD Sensor JBC        |
|            | 1          | EAE0049J13A        | Keypad - CCD Sensor SUN        |
| *          | 1          | EAW0235J18A        | Cable Ass'y-keypad             |
| 11         | 3          | EAM0007J22A        | Counterweight-fixed            |
| 12         | 1          | EAS2022J47A        | Door-fixed                     |
| 13         | 1          | EAS2022J08A        | Bracket-CCD,Rear               |
| 14         | 2          | EAM0007J07A        | Weight - Secondary, JBC        |
|            | 2          | EAM0007J42A        | Weight - Secondary, SUN        |
| 15         | 1          | EAL0343J00A        | Nameplate - Sensor, JBC        |
|            | 1          | EAL0343J16A        | Nameplate - Sensor, SUN        |
| 16         | 1          | EAC0055J31A        | Knob Ass'y-brake               |
| 17         | 6          | 1-24706A           | Screw-phms,M3 X .5mm X 30mm    |
| 18         | 9          | 1-9541             | Washer-flat, M3 Din 125a       |
| 19         | 3          | 1-01537A           | Nut-esna,M3 X 0.5              |
| 20         | 2          | 1-24906A           | Screw-phms,M4x.7mmx30mm,Zinc   |
| 21         | 11         | 1-24606A           | Screw-phms,M4 X .7mm X 12mm    |
| 22         | 7          | 1-20906            | Screw-phms,M5 X .8mm X 12mm    |
| 23         | 4          | 1-21123A           | Scew-phms,M2.9 X 1 X 13mm      |
| 24         | 4          | 1-3147             | Washer-m3,Int Tooth            |
| 25         | 3          | 1-24806A           | Screw-phms,M4 X .7mm X 8mm     |
| 26         | 3          | 1-4134A            | Nut-hex,Jam,M4 X 0.7           |
| 27         | 1          | 1-03676A           | Plug-dome,1681                 |
| 28         | 1          | 1-16981A           | Vial-level                     |
| 29         | 2          | 1-01737A           | Nut-esna,M4,Zinc               |
| 30         | 2          | EAS2022J75A        | Plate-retain,CW                |
| 31         | 0.25       | 5-09826A           | Strip-cell Foam,1/16x1/4,Adhsv |
| 32         | 1          | EAS2022J03A        | Counter weight                 |
| 33         | 2          | EAS2022J02A        | Counterweight Bracket          |
| 34         | 1          | EAS2022J04A        | Threaded Rod Counterweight     |
| *          | 1          | 1-01637A           | Nut-esna,M6 X 1mm,Zinc         |
| 35         | .25'       | 5-09826A           | Strip - Seal 1/32 Thick        |
| *          | 2          | EAL0343J45A        | Label - Head LH/RH             |

\* Parts not shown in assembly

Shaded areas are parts not shown but make up assemblies of the bold items

## PC Assembly

EAA0321J07A

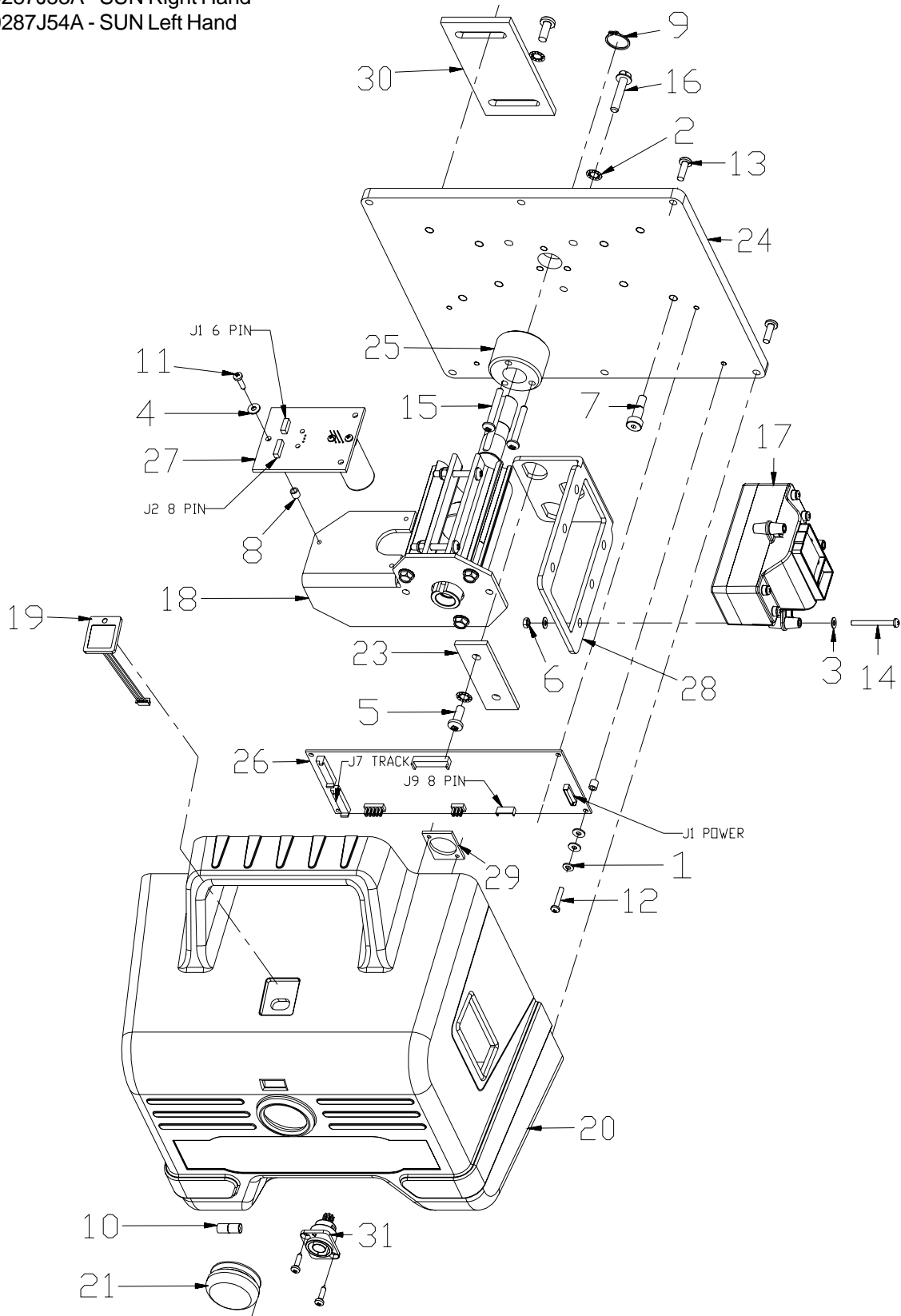
| <u>Qty</u> | <u>Part Number</u> | <u>Description</u>                      |
|------------|--------------------|---|
| 1          | 0008871700         | Keyboard Kit                            |
| 1          | 00088716000        | Label - F Keys                          |
| 1          | 3-02806A           | PC - Dell                               |
| 1          | 3-03106A           | Mouse (Dell)                            |
| 1          | 2-02906A           | Keyboard (Dell)                         |
| 1          | EAL0343J64A        | Label - Caution                         |
| 1          | 00088716000        | Decal - Keyboard, Function Keys         |
| 1          | EAK0268J05A        | Printer - Color, Inkjet                 |
| 1          | 00088910000        | Paper - Printer, Laser                  |
| 1          | 6-02422B6          | USB Cable (Printer)                     |
| 1          | 5-10426A1          | Tape - Hook Velcro, #88 - 0.67 Length   |
| 1          | 5-10426A2          | Tape - Loop Velcro, #1000 - 0.67 Length |
| 1          | 00089209000        | Cord - Power, Adapter, 12"              |
| 1          | EAL0343J25A        | Pad - Mouse, JBC                        |
| 1          | EAK0268J19A        | Speaker / Velcro Assembly               |

### Prior to DELL PC's

|      |             |                                 |
|------|-------------|---------------------------------|
| 1    | 3-02806A    | PC - Dell                       |
| 1    | EAL0343J64A | Label - Caution                 |
| 1    | 00088716000 | Decal - Keyboard, Function Keys |
| 1    | 00089168000 | Printer - Color, Inkjet         |
| 1    | 00088910000 | Paper - Printer, Laser          |
| 1    | 00083055000 | Cable - Printer                 |
| 0.67 | 5-10426A1   | Tape - Hook Velcro, #88         |
| 0.67 | 5-10426A2   | Tape - Loop Velcro, #1000       |
| 1    | 00089209000 | Cord - Power, Adapter, 12"      |

# Rear 6 Sensor Version I

EAA0287J42A - JBC Left Hand  
EAA0287J43A - JBC Right Hand  
EAA0287J53A - SUN Right Hand  
EAA0287J54A - SUN Left Hand

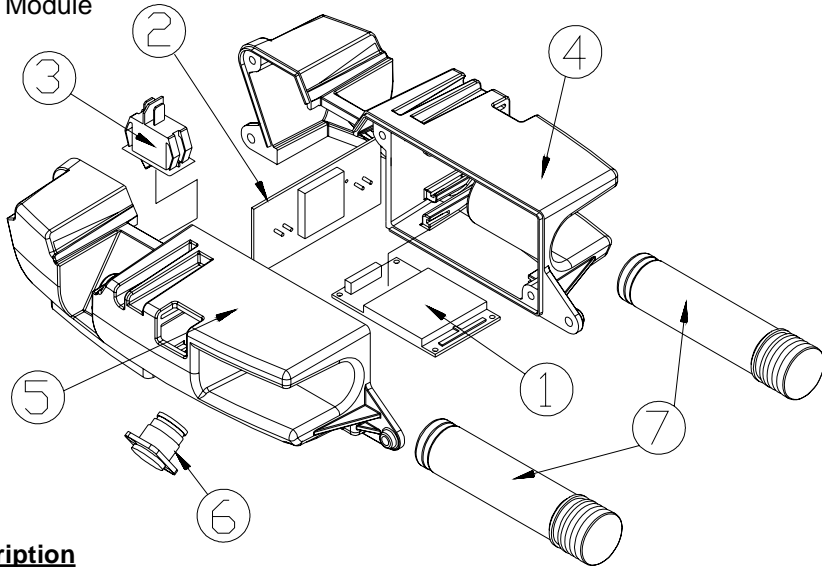


## Rear 6 Sensor Version I

| <u>Ref</u> | <u>Qty</u> | <u>Part Number</u> | <u>Description</u>                  |
|------------|------------|--------------------|-------------------------------------|
| 1          | 4          | 1-3147             | Washer - M3, Int Tooth              |
| 2          | 7          | 1-4647             | Washer - Int Tooth, M5              |
| 3          | 6          | 1-9541             | Washer - Flat, M3 Din 125a          |
| 4          | 11         | 1-11241            | Washer - Flat, M3                   |
| 5          | 6          | 1-20906            | Screw - PHMS, M5 X .8mm X 12mm      |
| 6          | 3          | 1-01537A           | Nut - ESNA, M3 X .5mm               |
| 7          | 2          | 1-02111A           | Screw - Shoulder, M5 X 10mm         |
| 8          | 7          | 1-09162A           | Spacer - 5mm OD X 3.2mm ID X 5mm    |
| 9          | 1          | 1-13677A           | Ring - Retaining                    |
| 10         | 1          | 1-16981A           | Vial - Level                        |
| 11         | 5          | 1-21123A           | Screw - PHMS, M2.9 X 1 X 13mm       |
| 12         | 4          | 1-24206A           | Screw - PHMS, M3 X X 0.5 X 16mm     |
| 13         | 6          | 1-24606A           | Screw - PHMS, M4 X .7mm X 12mm      |
| 14         | 3          | 1-24706A           | Screw - PHMS, M3 X .5mm X 30mm      |
| 15         | 3          | 1-24906A           | Screw - PHMS, M4 X .7mm X 30mm      |
| 16         | 3          | 1-46201A           | Screw - M5 X 0.8mm X 20mm, Self Tap |
| 17         | 1          | EAA0256J05A        | Pod Ass'y - CCD, Head               |
| 18         | 1          | EAA0287J45A        | Skeleton Assy, RH, 6 Sensor         |
|            | 1          | EAA0287J47A        | Skeleton Assy, LH, 6 Sensor         |
| 19         | 1          | EAA0287J50A        | Keypad Assy - 6 Sensor              |
| 20         | 1          | EAC0055J79A        | Cover - 6 Sen, RH, JBC              |
|            | 1          | EAC0055J80A        | Cover - 6 Sen, LH, JBC              |
|            | 1          | EAC0055J83A        | Cover-6 SUN, RH - gray              |
|            | 1          | EAC0055J84A        | Cover-6 SUN, LH - gray              |
| 21         | 1          | EAC0055J89A        | Bumper - 6 Sensor                   |
| 22         | 1          | EAL0343J00A        | Nameplate - JBC, CCD Sensor         |
|            | 1          | EAL0343J16A        | Nameplate - SUN, Head               |
| 23         | 1          | EAM0007J22A        | Counterweight - Fixed               |
| 24         | 1          | EAM0016J85A        | Plate - Back, 6 Sensor              |
| 25         | 1          | EAM0016J91A        | Plug - Spacer, 6 Sensor             |
| 26         | 1          | EAP0196G20A        | PCB Ass'y - Head, Toe               |
| 27         | 1          | EAP0196J54A        | PCB Ass'y - Camber, Tilt            |
| 28         | 1          | EAS2022J08A        | Bracket - CCD, Rear Two             |
| 29         | 1          | EAS2022J46A        | Plate - Con                         |
| 30         | 1          | EAS2048J20A        | Plate - Counter, 6 Sensor           |
| 31         | 1          | EAW0235J25A        | Cable Ass'y - Head, Main            |
| 32         | 1          | EAW0235J03A        | Cable Ass'y - Head, Tilt            |

## Wheel Sensor Module - Cordless Verison II

| <u>Part Number</u> | <u>Description</u>    |
|--------------------|-----------------------|
| EAA0305J72A        | Assy - LF / RR Module |
| EAA0305J73A        | Assy - RF / LR Module |



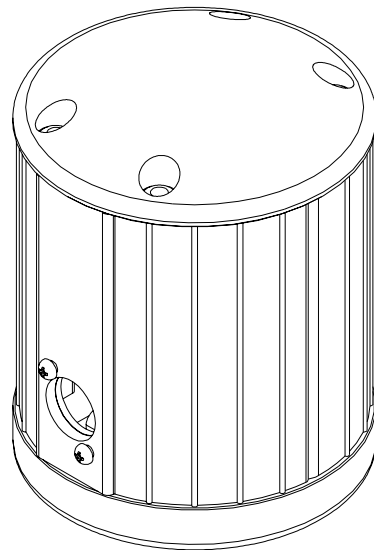
### Dip Switch Settings item 2

- 1 - off    4 - on
- 2 - on    5 - on
- 3 - on    6 - off

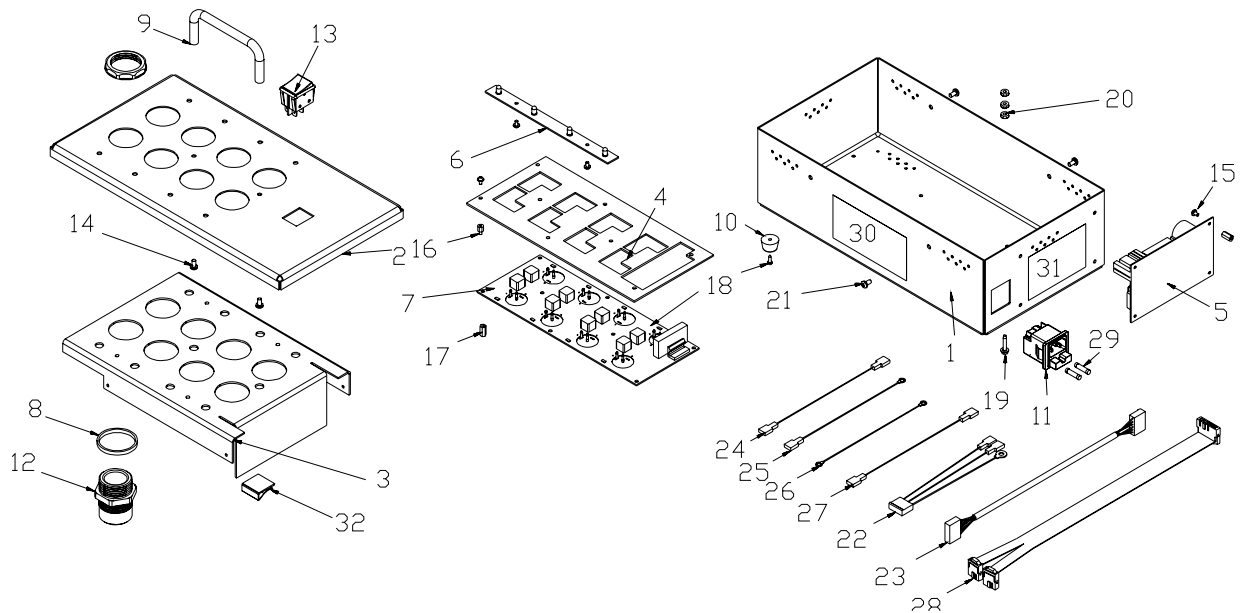
| <u>Ref</u> | <u>Qty</u> | <u>Part Number</u> | <u>Description</u>                 |
|------------|------------|--------------------|------------------------------------|
| 1          | 1          | 3-01209A           | Radio - 2.4GHZ Head AC1524C - 10A  |
| 2          | 1          | EAP0238J34B        | PCB - Battery Int Head             |
| 3          | 1          | 01122502000        | Switch - Power SPDT                |
| 4          | 1          | EAC0055J26A        | Module - RF / Con., RH             |
| 5          | 1          | EAC0055J27A        | Module - LF / Con., LH             |
| 6          | 1          | EAS2022J46A        | Plate - Con                        |
| 7          | 2          | EAA0287J34A        | Battery - Cordless, 3.6v           |
| *          | 2          | 1-16523            | Screw - PHMS,M2.9x1x9.5mm,Sif Tp   |
| *          | 3          | 1-24206A           | Screw - PHMS,M3 X .5mm X 16mm      |
| *          | 1          | 1-3776A            | Plug - Dome,2673                   |
| *          | 1          | EAW0235J13A        | Cable Assy Head, Main, Cordless    |
| *          | 1          | EAW0235J26A        | Cable Assy - Head, Radio, Cordless |
| *          | 1          | EAW0235J25A        | Cable Assy Head, Interface         |
| *          | 1          | EAC0055J25A        | Door - Access, Battery             |

## Cordless Receiver Pod Version II

| <u>Part Number</u>  | <u>Description</u>  |
|---------------------|---------------------|
| EAA0305J70A (Rev B) | Pod Assy - Cordless |



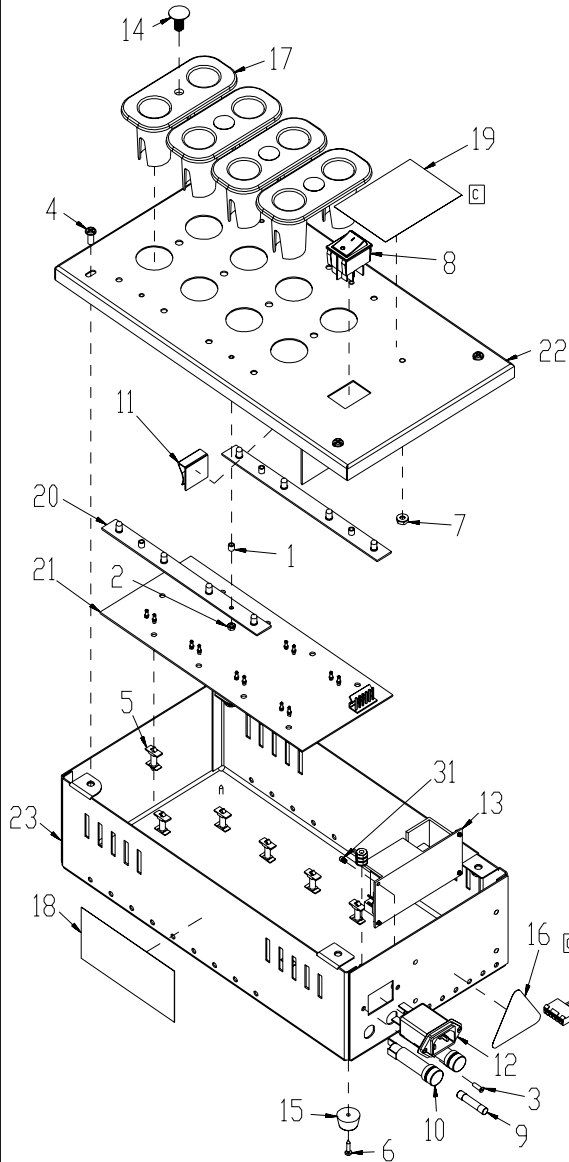
## Battery Charger - Cordless



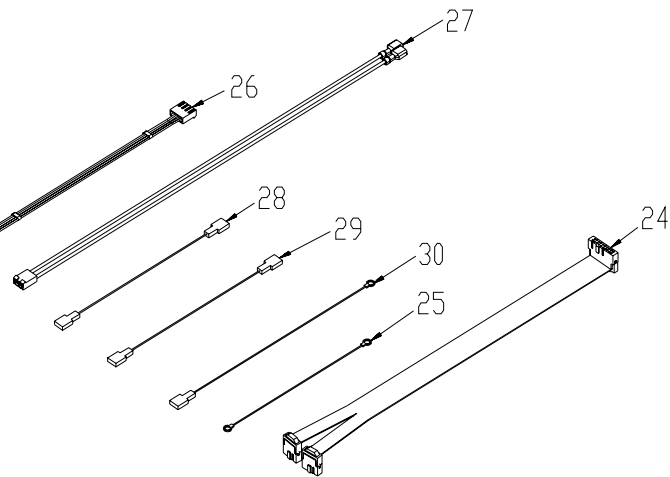
| <b>Ref</b> | <b>Qty</b> | <b>Part Number</b> | <b>Description</b>               |
|------------|------------|--------------------|----------------------------------|
| 1          | 1          | EAS2048J10A        | Battery Charger Box Bottom       |
| 2          | 1          | EAS2048J09A        | Battery Charger Box Top          |
| 3          | 1          | EAS2048J11A        | Battery Charger Box Support      |
| 4          | 1          | EAS2048J12A        | Battery Charger Box Stop         |
| 5          | 1          | EAP0216P10A        | Power Supply - 9v                |
| 6          | 2          | EAP0196J44A        | PCB - Led, Battery Charger       |
| 7          | 1          | EAP0196G60B        | PCB - Battery Charger            |
| 8          | 8          | EAM0016J72A        | Spacer Battery Charger           |
| 9          | 1          | 8-08833A           | Handle                           |
| 10         | 4          | 8-08018A           | Mount - Rubber                   |
| 11         | 1          | 2-35266A           | Plug - IEC, Filter, Fused        |
| 12         | 8          | 2-19547A           | Connector - Water Tight Heyco    |
| 13         | 1          | 2-12558A           | Switch - Rocker DPST, Lit        |
| 14         | 2          | 1-24806A           | Screw - PHMS,M4 X .7mm X 8mm     |
| 15         | 28         | 1-17906A           | Screw - PHMS M3 X 6              |
| 17         | 12         | 1-12161A           | Standoff - M3 X 12mm F/F         |
| 18         | 4          | 1-06724A           | Screw - Self Tap M2.9 X 9.5mm    |
| 19         | 1          | 00083558000        | Screw - Ground, #8-32 X 3/4 Grn  |
| 20         | 3          | 01181298000        | Nut - Keps, #8-32 UNC - 2b Cd/Zn |
| 21         | 4          | 01122289000        | Screw, 8-18 X 1/2 Self Tap PNHD  |
| 22         | 1          | EAW0243P20A        | Cable - 3way Power               |
| 23         | 1          | EAW0243P16A        | Cable - 6way To 6way Power       |
| 24         | 1          | EAW0243P23A        | Cable - Link Wire, Blue          |
| 25         | 1          | EAW0243P25A        | Cable - Link Wire                |
| 26         | 1          | EAW0243P26A        | Link Wire Ground To Ground       |
| 27         | 1          | EAW0243P22A        | Cable - Link Wire, Brown         |
| 28         | 1          | EAW0235J29A        | LED Cable Assy, Battery Charger  |
| 29         | 2          | 2-19151A           | Fuse -.5a, Slo, 5 X 20mm         |
| 30         | 1          | EAL0343J51A        | Label - Battery Charger, General |
| 31         | 1          | EAL0343J54A        | Label - Battery Charger          |
| 32         | 1          | 2-3657             | Cable Clamp (Flat Cable)         |
| 33         | 8          | 1-24706A           | Screw - PHMS,M3 X .5mm X 30mm    |
| 34         | 16         | 1-10662A           | Spacer - 3mm - Nylon Blk         |
| 35         | 8          | 1-01537A           | Nut - ESNA, M3 X .5mm            |
| 36         | 8          | 1-12844A           | Washer - Shoulder                |

# Battery Charger - Cordless Version II

EAA0305J71A



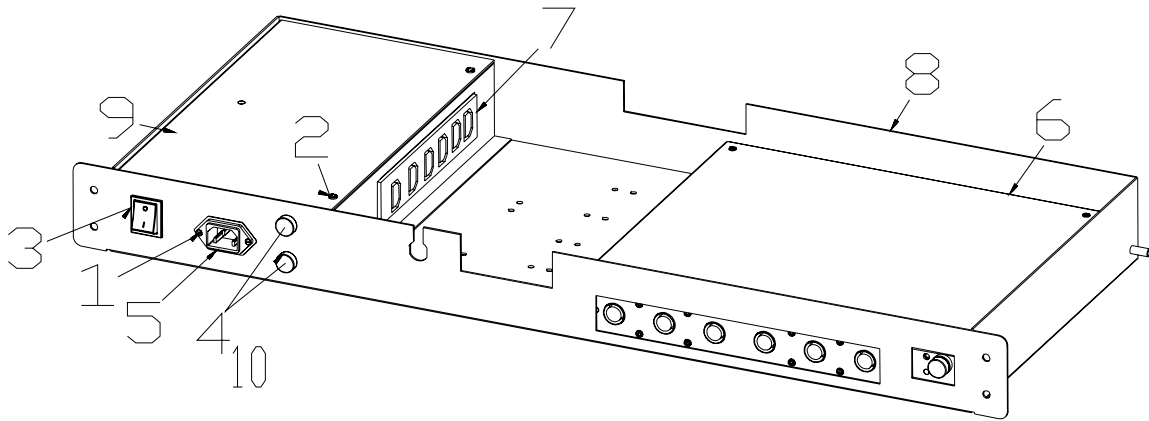
| SYM | REQD | PART NO | DESCRIPTION                                   |
|-----|------|---------|---|
|     |      | 31      | 4 1-26406A SCREW - PHMS M3 X 4                |
|     |      | 30      | 1 EAW0243P25A LINK WIRE EARTH                 |
|     |      | 29      | 2 EAW0243P23A LINK WIRE BLUE                  |
|     |      | 28      | 2 EAW0243P22A LINK WIRE BROWN                 |
|     |      | 27      | 1 EAW0235J43A CABLE ASSY 2 WAY POWER CABLE    |
|     |      | 26      | 1 EAW0235J42A CABLE ASSY-POWER                |
|     |      | 25      | 1 EAW0235J36A CABLE ASSY - GROUND, 12"        |
|     |      | 24      | 1 EAW0235J29A LED CABLE ASSY- CHARGER         |
|     |      | 23      | 1 EAS2072J37A COVER ASSY - BATTERY BOX BOTTOM |
|     |      | 22      | 1 EAS2048J63A COVER ASSY BATTERY CHGR BOX     |
|     |      | 21      | 1 EAP0238J10A PCB ASS'Y - BATTERY CHARGER     |
|     |      | 20      | 2 EAP0196J44A PCB ASS'Y-LED, BATTERY CHARGER  |
| C   |      | 19      | 1 EAL0343J97A LABEL-BATTERY CHARGER,VOLTAGE   |
|     |      | 18      | 1 EAL0343J51A LABEL-BATTERY CHARGER,GENERAL   |
|     |      | 17      | 4 EAC0055J93A SLEEVE-BATTERY                  |
|     |      | 16      | 1 8-23562A LABEL - WARNING                    |
|     |      | 15      | 4 8-08018A RUBBER FOOT                        |
|     |      | 14      | 4 8-02740A FASTENER - PANEL .7 DIA X .783     |
|     |      | 13      | 1 7-01902A TRANSFORMER, 115/230V 12V DC       |
|     |      | 12      | 1 2-40248A IEC INLET,(FILTER)                 |
|     |      | 11      | 1 2-3657 CABLE CLAMP- FLAT CABLE              |
|     |      | 10      | 2 2-15651A FUSE HOLDER                        |
|     |      | 9       | 2 2-851 FUSE, 1 AMP, 250V                     |
|     |      | 8       | 1 2-12258A SWITCH, ROCKER                     |
|     |      | 7       | 4 1-7033 NUT & L/WASHER ASS'Y- #8-32          |
|     |      | 6       | 4 1-23223A SCREW- PHIL PAN HD,                |
|     |      | 5       | 9 1-22259A STANDOFF, SNAP-LOCK                |
|     |      | 4       | 4 1-16006A PHMS, M5 x 12mm                    |
|     |      | 3       | 2 1-11103 M3 X 10mm FLAT HEAD SCREW           |
|     |      | 2       | 4 1-10779A NUT, M3 BARB                       |
|     |      | 1       | 4 1-09162A SPACER-5MM OD X 3.2MM ID X 5MM HT  |
| SYM | REQD | PART NO | DESCRIPTION                                   |





## USB HIB Shelf Assy

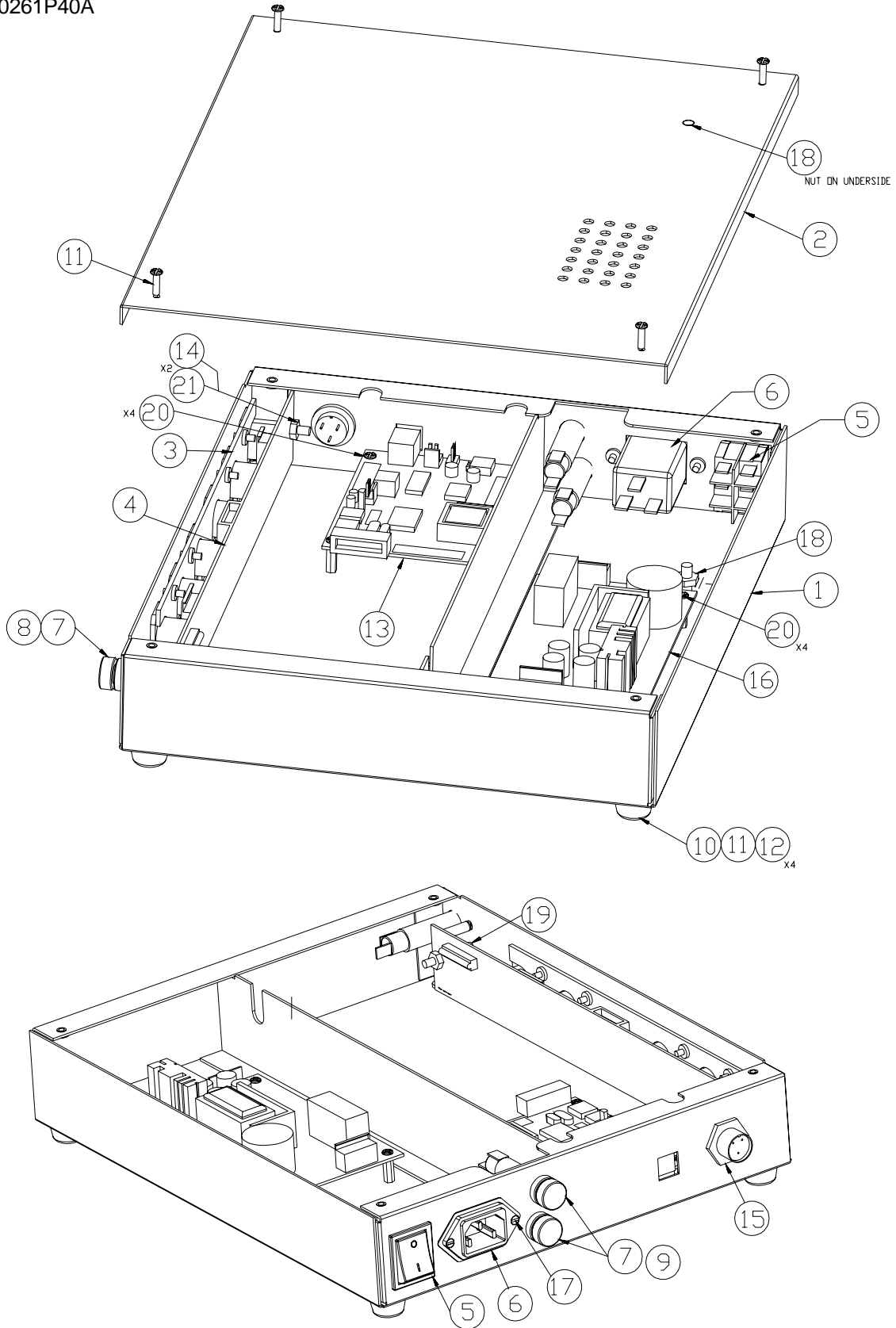
EAA0256J57A



| <u>Ref</u> | <u>Qty</u> | <u>Part Number</u> | <u>Description</u>           |
|------------|------------|--------------------|------------------------------|
| 1          | 2          | 1-11103            | Screw - M3 X 10mm, FHMS,Blk  |
| 2          | 2          | 1-29906A           | Screw - Pan Hd, M4 X 12mm    |
| 3          | 1          | 2-12258A           | Switch - Rocker On/Off Black |
| 4          | 2          | 2-15651A           | Holder - Fuse                |
| 5          | 1          | 2-37348A           | Receptacle - Cord, Power     |
| 6          | 1          | EAA0261P40A        | USB HIB Final Assy           |
| 7          | 1          | EAA0261P60A        | Cable - IEC Power Block Assy |
| 8          | 1          | EAS2040P06A        | Shelf Assy - USB HIB         |
| 9          | 1          | EAS2040P22A        | Cover Assy - Power Inlet     |
| 10         | 2          | 2-18451A           | Fuse - 5A, Slo               |

# USB HIB Box

EAA0261P40A



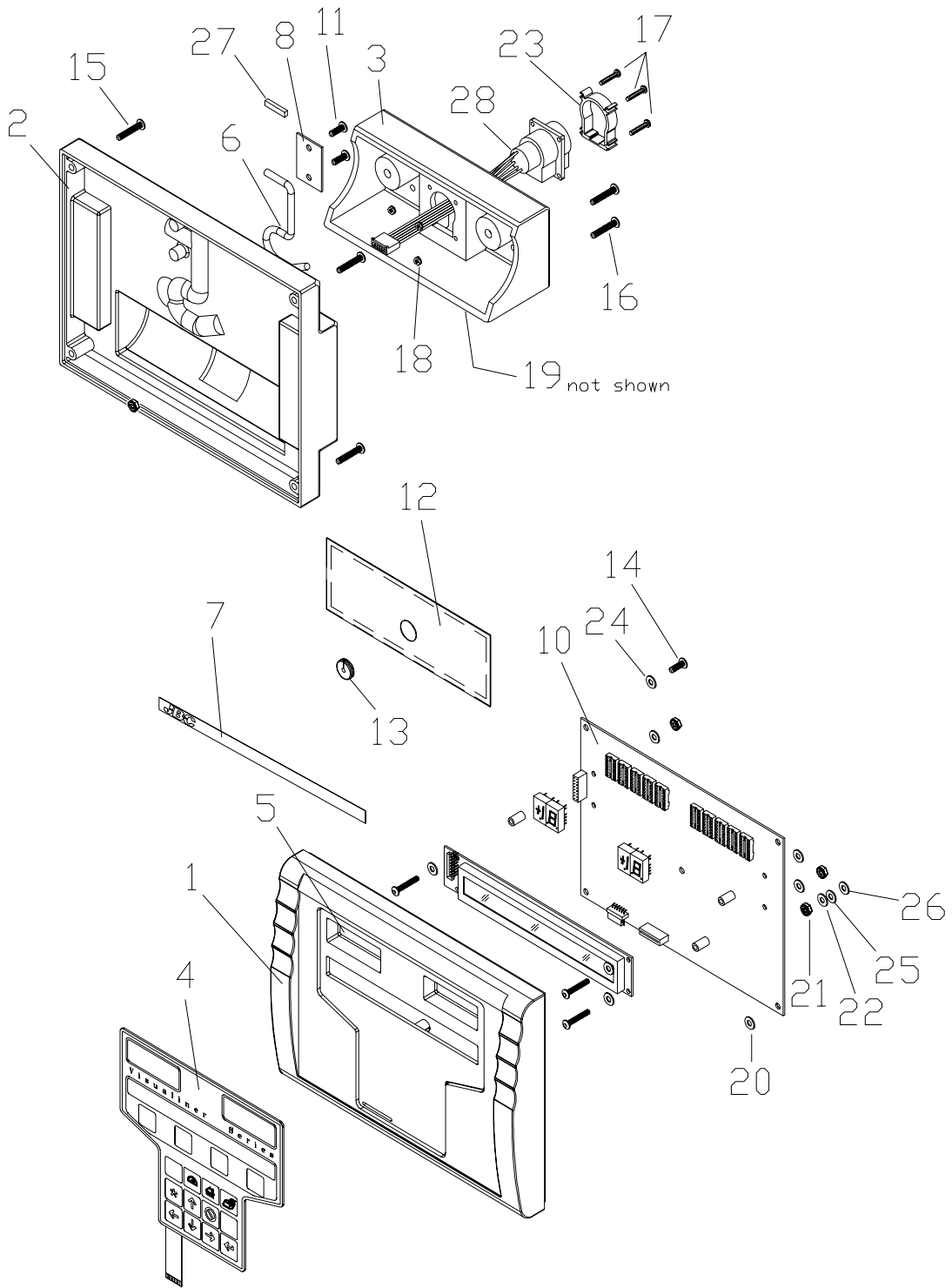
## USB HIB Box

EAA0261P40A

| <u>Ref</u> | <u>Qty</u> | <u>Part Number</u> | <u>Description</u>                      |
|------------|------------|--------------------|---|
| 1          | 1          | EAS2024P64A        | USB Base Assy'                          |
| 2          | 1          | EAS2024P66A        | Cover Assy                              |
| 3          | 1          | EAS2024P63A        | Connector Bracket Assy                  |
| 4          | 1          | EAP0216P00A        | Interconnect PCB                        |
| 5          | 1          | 2-12258A           | Rocker Switch ON/OFF                    |
| 6          | 1          | 2-40248A           | IEC Inlet (Filter)                      |
| 7          | 3          | 2-15651A           | Fuse Holder                             |
| 8          | 1          | 2-7051             | Slow Blow Fuse 3A                       |
| 9          | 2          | 2-7151             | Slow Blow Fuse 8A                       |
| 10         | 4          | 8-08018A           | Rubber Feet                             |
| 11         | 16         | 1-18206A           | M3 x 12 Screw Pan Head                  |
| 12         | 4          | 1-12941            | M3 Washer                               |
| 13         | 1          | EAP0196J80A1       | USB HIB PCB Assy                        |
| 14         | 4          | 1-9733             | Nut M4                                  |
| 15         | 1          | EAW0243P10A        | Remote Cable (Cable leading to HIB PCB) |
| 16         | 1          | 2-37666A           | Power Supply 10V 40W                    |
| 17         | 2          | 1-11103            | Screw Flat Head M3 x 10                 |
| 18         | 2          | 1-9833             | Nut M5                                  |
| 19         | 2          | 1-5962             | Nylon Round Standoff 3/4"               |
| 20         | 8          | 1-19306A           | M3 x 6mm screw                          |
| 21         | 2          | 1-2648             | M4 Star Washer                          |
| *          | 1          | EAW0243P26A        | Link Wire Ground to Ground              |
| *          | 1          | 5-845              | Tie Wrap                                |
| *          | 2          | EAW0243P22A        | Link Wire Brown                         |
| *          | 2          | EAW0243P23A        | Link Wire Blue                          |
| *          | 1          | EAW0243P16A        | Cable Assy, 6 way to 6 way Power Cable  |
| *          | 1          | EAW0243P20A        | Cable Assy, 3 Way Power Cable           |
| *          | 1          | EAW0243P17A        | Cable Assy, 16 way to 16 way IDC        |
| *          | 1          | EAW0243P25A        | Cable - Link Wire                       |
| *          | 2          | 1-11341            | Washer Plain M4                         |
| *          | 2          | 1-14106            | M4 x 20 Pan Head Screw                  |
|            | 1          | EAL0345P52A        | Label - Fuse 3a                         |
|            | 2          | EAL0345P53A        | Label - Fuse 1a                         |
|            | 1          | EAL0345P54A        | Label - Electrical Warning              |

# Remote Readout

EAK0222J77A



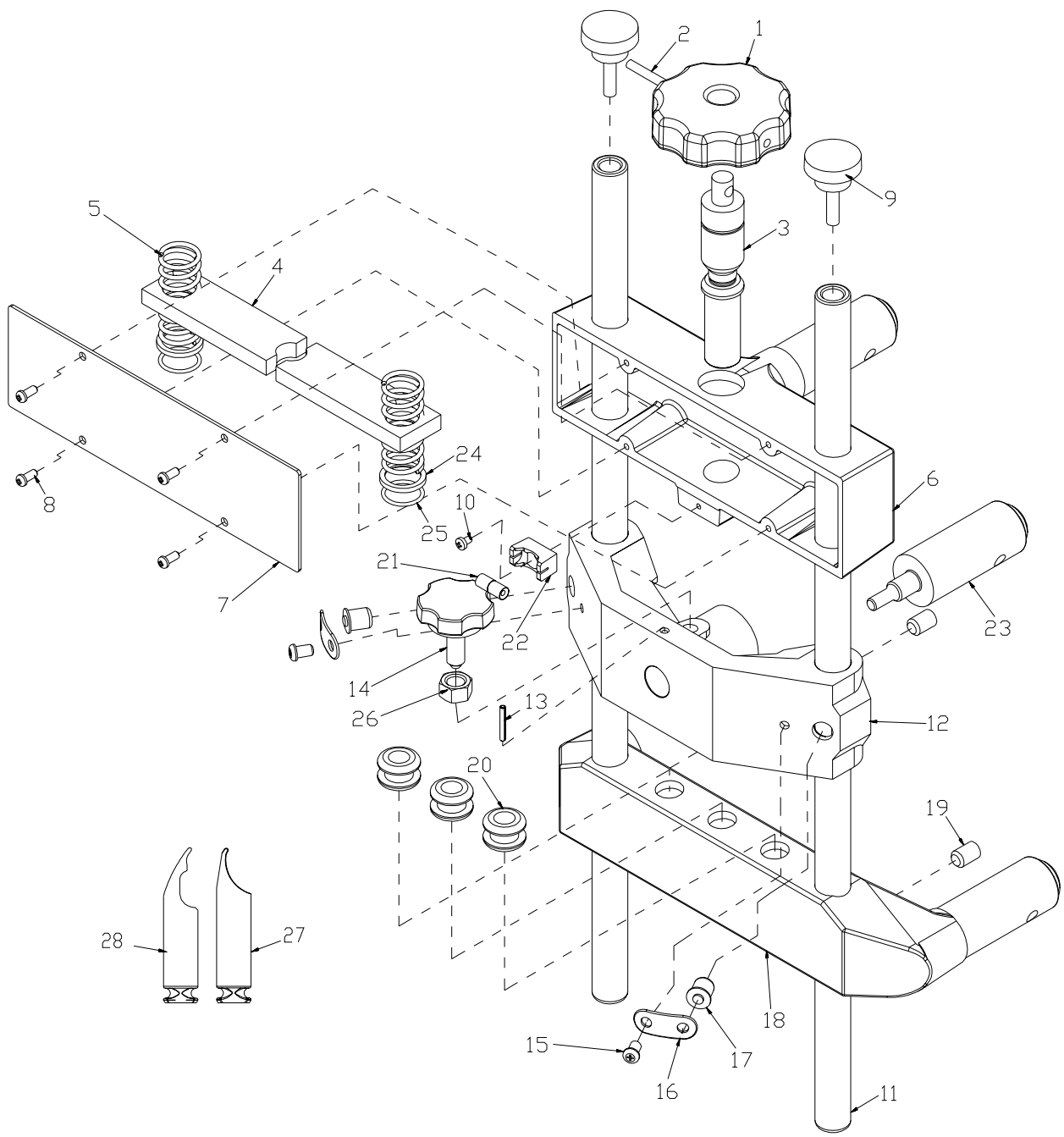
# Remote Readout

EAA0287J61A

| <u>Ref</u> | <u>Qty</u> | <u>Part Number</u> | <u>Description</u>                |
|------------|------------|--------------------|-----------------------------------|
| 1          | 1          | EAC0055J92A        | Bezel Front Remote Black          |
| 2          | 1          | EAC0055J91A        | Panel - Rear Remote Black         |
| 3          | 1          | EAC0055J90A        | Pivot - Base, Black               |
| 4          | 1          | EAA0287J60A        | Switch - Membrane, Remote Pro32   |
| 5          | 2          | 00086179000        | Window - LED, Remote              |
| 6          | 1          | 00086180000        | Hook - Remote                     |
| 7          | 1          | 00081226000        | Decal-JBC,Remote Display          |
| 8          | 1          | 00086183000        | Plate - Cover, Hook               |
| 9          | 2          | 01101740000        | Screw - BHCS, #8 - 32 X 1/4 Hs    |
| 10         | 1          | 00086185000        | PCB Ass'y - Remote                |
| 12         | 1          | 00086262000        | Cover - Seal, Remote              |
| 13         | 1          | 01122121000        | Grommet                           |
| 14         | 5          | 01101554000        | Screw - BHCS, #8 - 32 X 3/8 Hs    |
| 15         | 4          | 01122106000        | Screw - BHCS, #8 - 32 X 1.0       |
| 16         | 2          | 01101777000        | Screw - BHCS, 1/4 - 20 X 1 1/4 Hs |
| 17         | 4          | 01115607000        | Screw - RHMS, #4 - 40 X 3/4 Phl   |
| 18         | 4          | 01122109000        | Nut - Keps, #4 - 40 Cd/Zn         |
| 19         | 4          | 8-03642A           | Catch - Magnetic, Medium          |
| 20         | 5          | 01122122000        | Washer - Nylon, .375od X .171id   |
| 21         | 2          | 01101609000        | Nut - Stop, 1/4 - 20 Unc - 2b Cad |
| 22         | 2          | 01122110000        | Washer - Spring, .27 Id X .5      |
| 23         | 1          | 00083327000        | **Support - Receptacle(alum/Extr  |
| 24         | 5          | 01122107000        | Washer - Flat, Nylon              |
| 25         | 2          | 01122108000        | Washer - Flat, Nylon              |
| 26         | 2          | 01107381000        | Washer - Flat, 1/4 Obs02j0703a    |
| 27         | 0.04       | 00985268000        | Seal - Strip, 1/16 X 1/4          |
| 28         | 1          | 00083113000        | Cable Ass'y - Head                |

# Wheel Clamp Version I

EAA0256J35A



## Wheel Clamp

| <u>Ref</u> | <u>Qty</u> | <u>Part Number</u> | <u>Description</u>                |
|------------|------------|--------------------|-----------------------------------|
| 1          | 1          | EAC0055J94A        | Knob - Wheel Clamp                |
| 2          | 1          | 1-19252A           | Pin - Roll, .156 X 1 ESNA         |
| 3          | 1          | EAC0055J19A        | Screw - Clamp, Long               |
| 4          | 2          | EAM0007J03A        | Bar - Tightening, Plated          |
| 5          | 4          | EAA0256J07A        | Spring - Wheel Clamp, Plated      |
| 6          | 1          | EAC0055J06A        | Bracket - Clamp, Upper (Machined) |
| 7          | 1          | EAS2022J11A        | Cover Plate                       |
| 8          | 4          | 1-23906A           | Screw - PHMS, M3.5x8mm            |
| 9          | 2          | EAC0055J36A        | Knob - Screw Thumb Rod            |
| 10         | 1          | 1-24106A           | Screw - PHMS - M3 X 5mm           |
| 11         | 2          | EAM0007J11A        | Rod - Wheel Clamp                 |
| 12         | 1          | EAC0055J07A        | Bracket - Center, Sliding (Mch)   |
| 13         | 1          | 1-18052A           | Roll Pin - 2.5 X 18mm             |
| 14         | 1          | EAC0055J46A        | Knob - Shaft Clamp                |
| 15         | 2          | 1-24006A           | Screw - PHMS, M5 X .8m X 8mm      |
| 16         | 2          | EAS2022J43A        | Spring - Friction, Hub            |
| 17         | 2          | EAM0007J20A        | Pin - Friction                    |
| 18         | 1          | EAC0055J08A        | Bracket - Clamp, Lower (Mch)      |
| 19         | 2          | 1-47910A           | Screw - HSHS, M8 X 1.25m X 12mm   |
| 20         | 3          | 8-07716A           | Grommet - Rubber, Z1046           |
| 21         | 1          | 1-16981A           | Level Vial - P/N 0150             |
| 22         | 1          | 2-03732A           | Flange - Mtg, Vial                |
| 23         | 3          | EAM0016J93A        | Retainer Assy - Rim Claw Ext.     |
| 24         | 2          | EAM0007J39A        | Retainer - Friction Ring          |
| 25         | 2          | 8-1314             | O'ring - 5 - 8 X 34 As - 568a - 0 |
| 26         | 1          | 1-11833            | Nut - M8 - 1.25 Din 934           |
| 27         | 3          | EAM0007J01A        | Rim Claw Universal                |
| 28         | 3          | EAM0016J89A        | Claw - Clearanced                 |

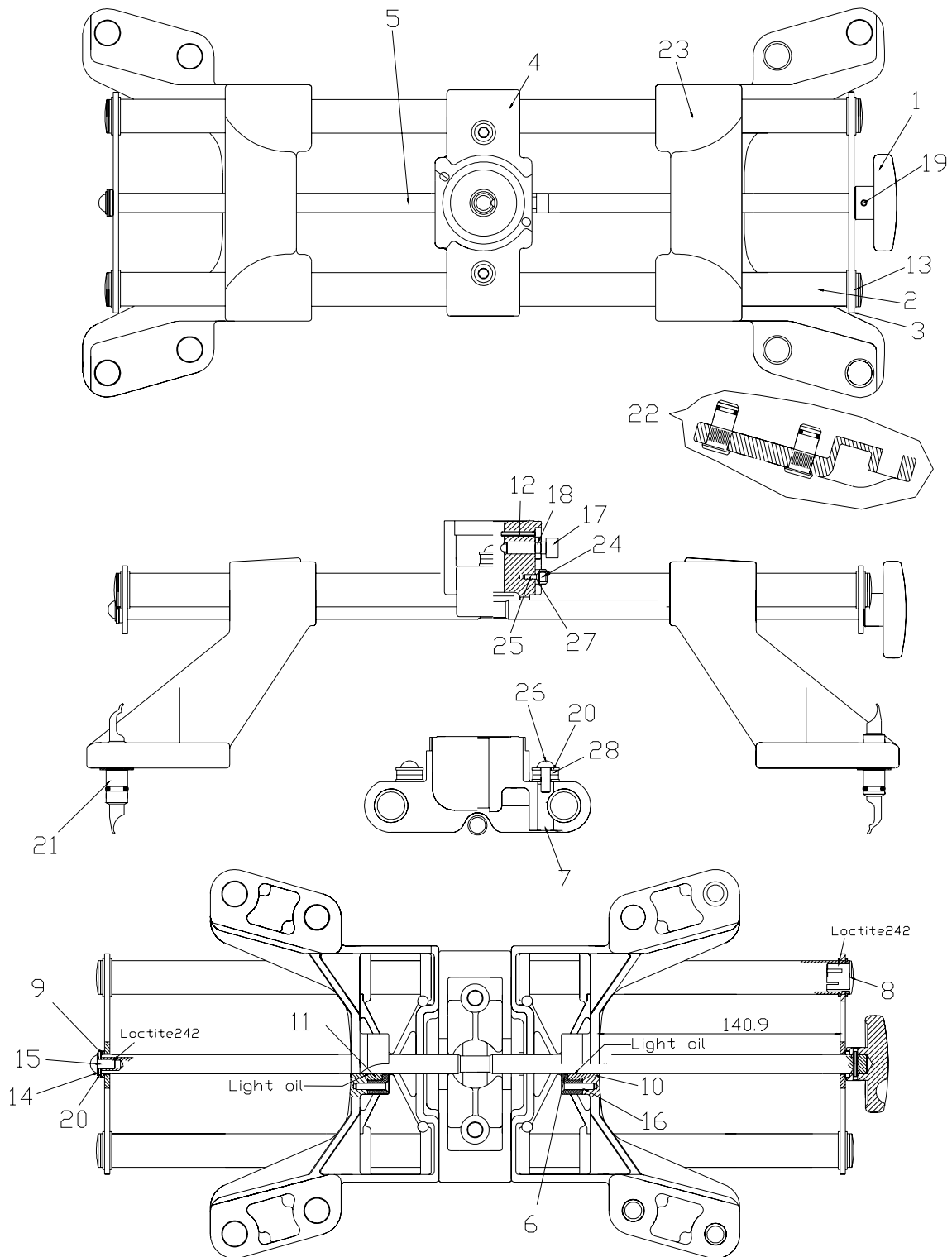
### **EAC0055J57A - Pair of Wheel Clamps and Contents**

|          |                    |                                    |
|----------|--------------------|------------------------------------|
| 2        | EAA0256J35A        | Wheel Clamp Assy                   |
| <b>2</b> | <b>EAK0222J79A</b> | <b>Kit, Claw - Clearanced, CCD</b> |
| 2        | EAM0007J17A        | Rod - Extension, Whl Clmp, 22" Cap |
| 3        | EAM0016J89A        | Claw - Clearanced, CCD Clamp       |
| 3        | EAM0007J01A        | Rim Claw Universal                 |
| 2        | 1-08584A           | Cord - Bungee, Blk. 16"            |
| 1        | TEAC0055J57A       | Maint Instr - Wheel Clamp          |

# Wheel Clamp Version II

EAC0079J47A Long Version

EAC0079J73A Short Version





## Wheel Clamp Version II

EAC0079J47A Long Version

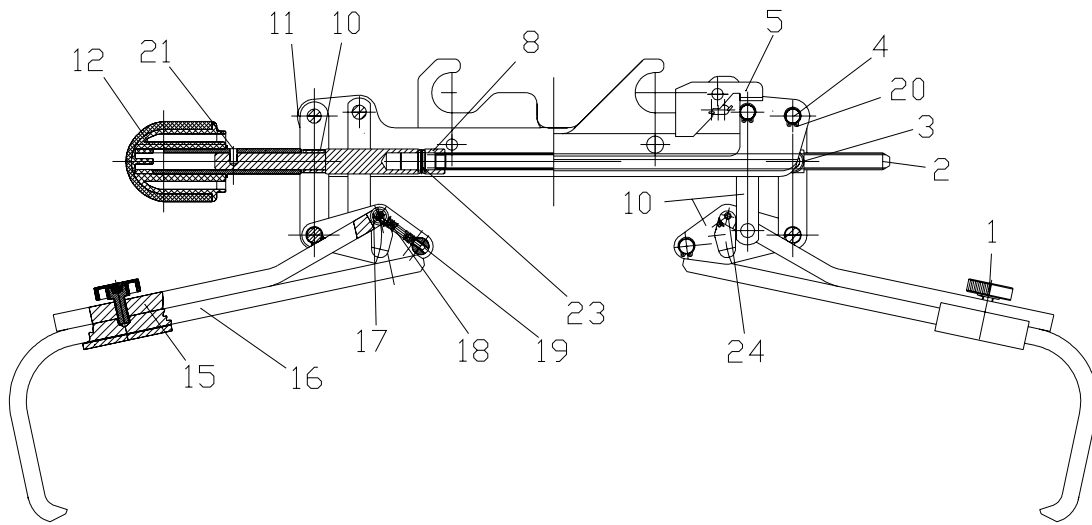
EAC0079J73A Short Version

| <u>Ref</u> | <u>Qty</u> | <u>Part Number</u> | <u>Description</u>                 |
|------------|------------|--------------------|------------------------------------|
| 1          | 1          | EAM0044J13A        | Knob Wheel Clamp                   |
| 2          | 2          | EAM0044J14A        | Tube - Wheel Clamp (long 464mm)    |
|            | 2          | EAM0044J64A        | Tube - Wheel Clamp (short 407.6mm) |
| 3          | 2          | EAS2084J29A        | Retainer Plate                     |
| 4          | 1          | EAC0079J53A        | Center Bracket                     |
| 5          | 1          | EAM0044J16A        | Double lead screw (long 474mm)     |
|            | 1          | EAM0044J65A        | Double lead screw (short 417mm)    |
| 6          | 2          | EAC0079J50A        | Cover Feed Screw Lock              |
| 7          | 2          | EAM0044J22A        | Pin Tube Lock                      |
| 8          | 4          | EAC0079J51A        | Plastic Plug 19.0mm                |
| 9          | 2          | EAC0079J52A        | Thrust Washer                      |
| 10         | 1          | EAM0044J20A        | Threaded bushing LH                |
| 11         | 1          | EAM0044J24A        | Threaded bushing RH                |
| 12         | 1          | 1-20652            | Pin Spring M3 X 20                 |
| 13         | 8          | 1-17677A           | Retaining Ring                     |
| 14         | 1          | 1-3347             | Lockwasher M6                      |
| 15         | 3          | 1-50309A           | Screw M6 X 10mm                    |
| 16         | 4          | 1-26506A           | Screw PH Counter                   |
| 17         | 1          | EAM0044J47A        | screw SHCS M8 X 30                 |
| 18         | 1          | 1-20733A           | Hex Nut                            |
| 19         | 1          | 1-20652            | Pin Spring M3 X 20mm               |
| 20         | 3          | 1-14144A           | Washer M6 X 18                     |
| 21         | 4          | EAM0044J19A        | Grabber Assembly                   |
|            | 1          | EAM0044J18A        | Grabber Dual End                   |
|            | 2          | 8-10214A           | O-Ring 3.1mm X 7.8                 |
|            | 1          | 1-17577A           | Retaining Ring E Style             |
| 22         | 4          | EAM0044J12A        | W/Clamp Extension Assy' (Optional) |
|            | 1          | EAC0079J46A        | Extension Casting                  |
|            | 2          | EAM0044J11A        | Pin - Extension                    |
|            | 2          | 8-10214A           | O-Ring 3.1mm X 7.8                 |
| 23         | 2          | EAC0079J48A        | Bracket Long                       |
| 24         | 1          | 1-16981A           | Level Vial                         |
| 25         | 1          | 1-33206A           | Screw M3 X 8                       |
| 26         | 2          | 1-50509A           | Screw BHCS M6 X 16mm               |
| 27         | 1          | 2-03732            | Vial Flange                        |
| 28         | 4          | EAM0044J46A        | Grommet                            |

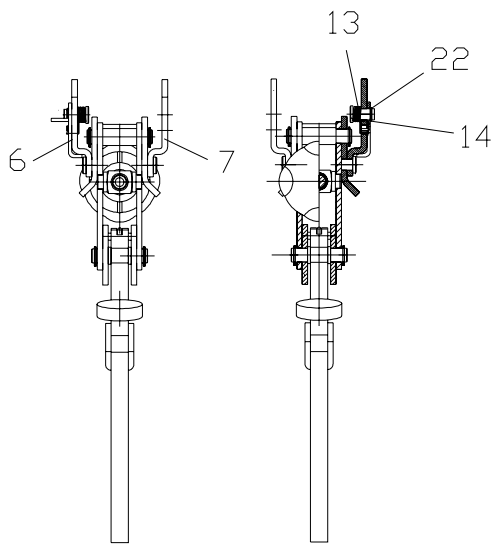
### KITS

|             |                                       |
|-------------|---------------------------------------|
| EAK0268J51A | O-Ring kit (32 o-rings)               |
| EAK0268J41A | Grabber kit (4 grabbers)              |
| EAK0268J40A | Extension kit (4 extensions)          |
| EAK0268J73A | Kit – Spoiler Adaptor – Std.          |
| 1-37410     | Screw – Set M3 x .5 x 10mm, Cup Point |
| EAA0333J03A | Spoiler Asm. Adaptor, Standard        |
| EAM0044J58A | Spoiler – Adaptor, Wheel Clamp        |
| EAM0044J59A | Shaft – Spoiler, Adaptor Std.         |

# Quick Clamp



|      |             |                        |
|------|-------------|------------------------|
| 24   | 1-20652A    | Spring Pin 3X20        |
| 23   | 1-5752      | Spring Pin 4X12        |
| 22   | 1-18077A    | Retaining Ring 6mm     |
| 21   | 1-7410      | Screw M4*8             |
| 20   | 1-17977A    | Retaining Ring 8mm     |
| 19   | EAM0047J47A | Pin-SpringGuide        |
| 18   | EAM0047J46A | Spring-Compression     |
| 17   | EAM0047J45A | Hook-Eye               |
| 16   | EAM0047J34A | Bar-Tire Hook          |
| 15   | EAM0047J44A | Bar-PivotWeldment      |
| 14   | EAM0047J43A | Pin-Spring             |
| 13   | EAM0047J74A | Spring-Torsion,        |
| 12   | EAC0079J93A | Knob - Spacer Assy     |
| 11   | EAS2084J71A | Link-Wide              |
| 10   | EAM0047J40A | Knuckle-Coupling       |
| 9    | EAA0333J43A | Link - Narrow Assy     |
| 8    | EAM0047J39A | Coupling-Lead          |
| 7    | EAS2084J76A | Plate - Assy Mt Bottom |
| 6    | EAS2084J75A | Plate Assy Mount Top   |
| 5    | EAS2084J53A | Latch-Quick Clamp      |
| 4    | EAM0047J37A | Pin-FourBarPivot       |
| 3    | EAM0047J36A | Nut-Quick Clamp        |
| 2    | EAM0047J35A | Screw-Quick Clamp      |
| 1    | EAC0079J91A | Knob-Hook Adjust       |
| ITEM | Part.No     | Description            |

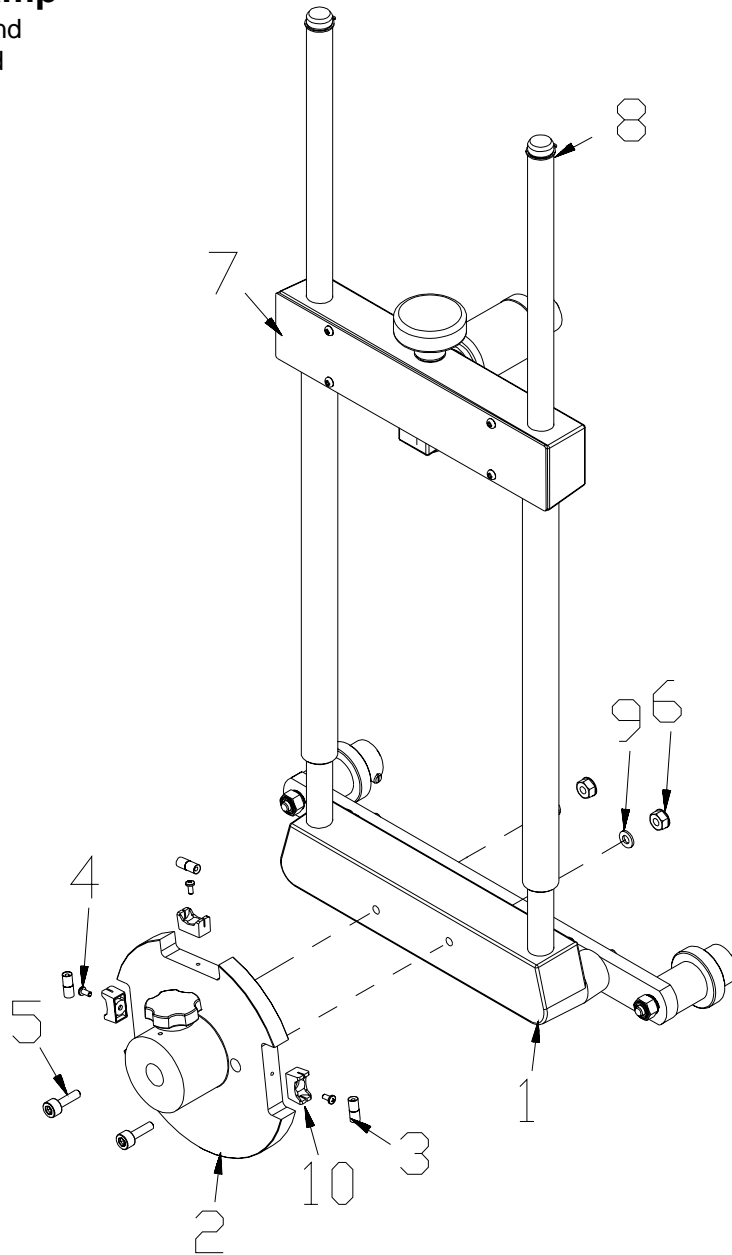


- EAC0079J90A Quick Clamp
- EAK0268J63A Quick Clamp Kit (4 clamps)
- EAK0268J95A Tip Kit - Inside Mount (20 of EAC0079J57A)
- EAK0268J96A Tip Kit - Outside Mt. (20 of EAC0079J58A)
- EAK0268J97A Tip Kit - Outside Mt VW (20 of EAC0079J82A)

# Truck Wheel Clamp

EAM0016J38A - Right Hand

EAM0016J79A - Left Hand

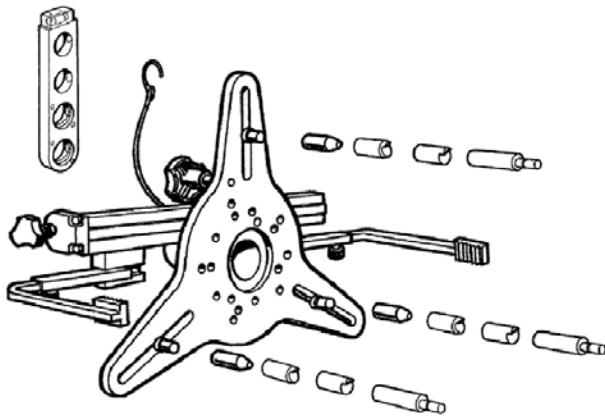


| <u>Ref</u> | <u>Qty</u> | <u>Part Number</u> | <u>Description</u>                   |
|------------|------------|--------------------|--------------------------------------|
| 1          | 1          | EAM0016J33A        | Clamp Assy - Lwr Brkts & Rods, RH    |
|            |            | EAM0016J78A        | Clamp Assy - Lwr Brkts & Rods, LH    |
| 2          | 1          | EAM0016J16A        | Disc Assy - Index                    |
| 3          | 3          | 1-16981A           | Level Vial                           |
| 4          | 3          | 1-1906             | Screw - 4 - 40 X 1/4 PHMS - ZN       |
| 5          | 2          | 1-46209A           | Screw - SHCS, #10 - 24 X 3/4 Nc - 3a |
| 6          | 2          | 1-7733             | Nut & Lk Washer Assy #10 - 24        |
| 7          | 1          | EAM0016J42A        | Locking Assy - Wheel Clamp, Trk      |
| 8          | 2          | 1-13977A           | Ring - Retaining, .625               |
| 9          | 2          | 1-18441A           | Washer - Flat, #10 1/2od X 7/32i     |
| 10         | 3          | 2-03732A           | Flange - Mtg, Vial                   |

## Miscellaneous Parts

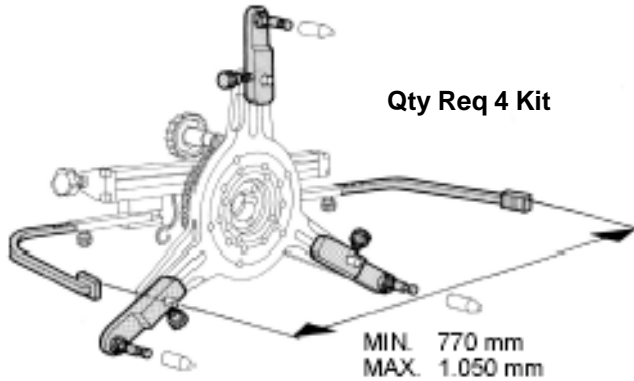
| <u>Qty</u> | <u>Part Number</u> | <u>Description</u>                 |
|------------|--------------------|------------------------------------|
| 1          | 00088620000        | Wheel Chock -Inner                 |
| 1          | 00088621000        | Wheel Chock- Outer                 |
| 1          | 00000096000        | Depressor Ass'y - Pedal            |
| 1          | 00055502000        | Clamp Ass'y - Wheel, Steering      |
| 1          | 00088690000        | Remote Control, V97                |
| 2          | 01122063000        | Battery - AA, 1.5V Alkaline        |
| 4          | EAK0222J30A        | Alloy Universal Camera Wheel Clamp |
| 1          | <b>EAK0222J17A</b> | <b>Voice Align Kit</b>             |
|            | • 2-29466A         | Headset Base / Belt Pk Dom         |
|            | • 2-29666A         | Headset Assy - Voice Control       |
|            | • 2-29466A01       | Switch Accessory                   |
|            | • 5-10426A1        | Tape - Hook Velcro, #88            |
|            | • 5-10426A2        | Tape - Loop Velcro, #1000          |
|            | • TEAK0222J17A0    | Installation Instr - Headset       |
|            | • 00089209000      | Cord - Power, Adapter, 12"         |
| 1          | 00088690000        | Remote Control                     |
| 1          | 00086796000        | Mouse                              |
| 1          | EAL0343J25A        | Mouse Pad                          |
| 1          | 00088927000        | Label-elec/Serial,Desktop          |
| 1          | 00089226000        | Software - Mitchell Undercar       |
| 1          | 00089565000        | Software Ass'y - JBC Prem W/Ns     |
| 1          | EAK0256J23A        | Software Kit - Windows XP          |
| 1          | 01122651000        | Label - caution,Electrical Shock   |
| 1          | 3-00128            | Software - Norton Utilities        |
| 1          | 00089518000        | Label-shut Down, Windows           |
| 1          | 00000331000        | Convex Mirror                      |
| 1          | 00064222000        | Portable Slip Plate                |

# Femas Clamp



- |          |                    |  |
|----------|--------------------|--|
| <b>1</b> | <b>EAK0222J29A</b> | <b>Wheel Clamp Alloy Kit (Includes 4 clamps)</b> |
| 4        | EAA0256J62A        | Wheel Clamp - Alloy (AR 10" - 21")               |
| 1        | EAK0222J26A        | Adapter Kit Spoiler (Alloy WC) 2 PCS.            |
| 4        | EAK0222J21A        | Shoe Kit - Tapered, (Alloy Wc)                   |
| 4        | EAK0222J22A        | Gripper Shoe Kit, Short (Alloy WC)               |
| 4        | EAK0222J24A        | Gripper Shoe Kit, Shaped (Alloy WC)              |
| 4        | EAK0222J25A        | Shoe Kit, Extensions (Alloy WC)                  |
| 4        | EAL0343J27A        | Decal, Runout                                    |

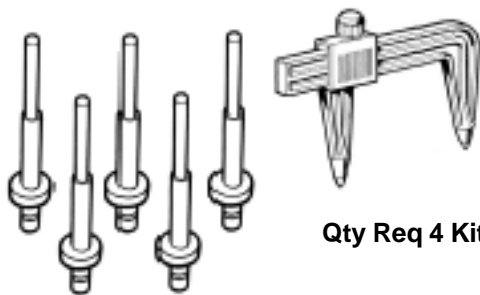
## Optional Femas Accessories



EAK0222J27A    Qty Req 4 Kit    Extension Adaptor Kit



Qty Req 1 Kit  
EAK0222J20A    Porsche Adaptors



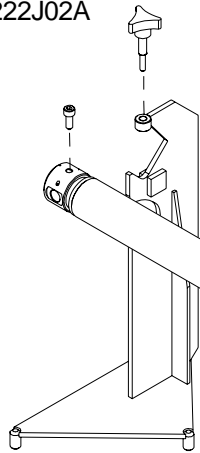
EAK0222J28A    Qty Req 4 Kit    Kit, Hub Pins For Mercedes-Benz & BMW



Qty Req 4 Kit  
EAK0222J23A    Long Gripper

# Calibration Equipment

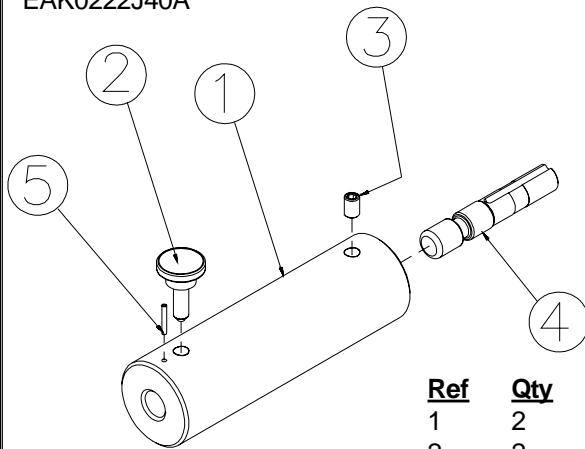
EAK0222J02A



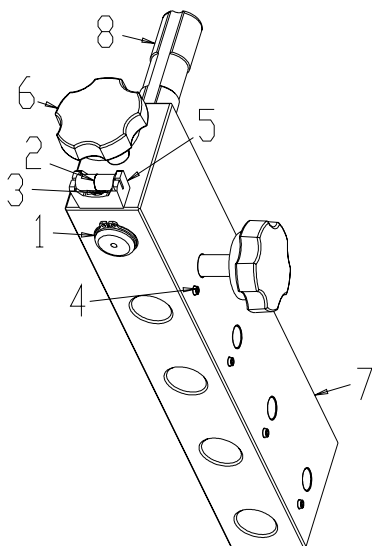
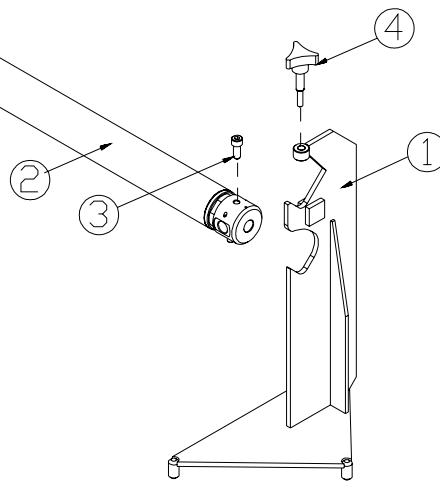
| <u>Ref</u> | <u>Qty</u> | <u>Part Number</u> | <u>Description</u>            |
|------------|------------|--------------------|-------------------------------|
| 1          | 2          | EAA0256J17A        | Calibration Stand             |
| 2          | 1          | EAC0055J11A        | Bar Ass'y - Calibration       |
| 3          | 2          | EAM0007J19A        | Screw - Shaft Clamp           |
| 4          | 2          | EAM0007J34A        | Knob, Clamp - Calibration Bar |

# Dual Wheel Adapter

EAK0222J40A



| <u>Ref</u> | <u>Qty</u> | <u>Part Number</u> | <u>Description</u>             |
|------------|------------|--------------------|--------------------------------|
| 1          | 2          | EAM0007J45A        | Offset Wheel Adapter           |
| 2          | 2          | EAC0055J46A        | Knob - Shaft Clamp             |
| 3          | 2          | 1-47910A           | Screw - HHSS, M8 X 1.25 X 12mm |
| 4          | 2          | EAM0007J33A        | Stub Shaft                     |
| 5          | 2          | 1-18052A           | Roll Pin - 2.5 X 18mm          |



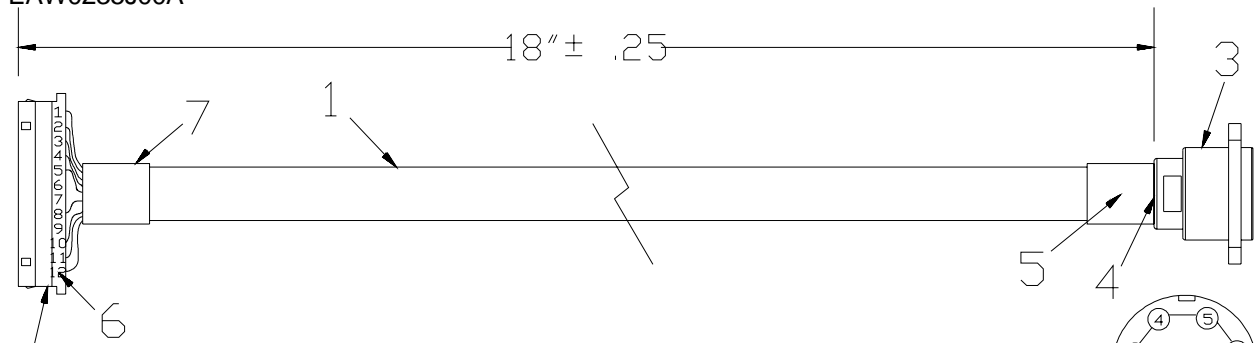
# Spoiler Adapter

EAA0333J03A

| <u>Ref</u> | <u>Qty</u> | <u>Part Number</u> | <u>Description</u>               |
|------------|------------|--------------------|----------------------------------|
| 1          | 2          | 1-13677A           | Ring - Retaining                 |
| 2          | 1          | 1-16981A           | Level Vial - P/N 0150            |
| 3          | 1          | 1-33206A           | Screw - PHMS M3 X 8 Zn           |
| 4          | 4          | 1-37410            | Screw - Set M3x.5x10mm Cup Point |
| 5          | 1          | 2-03732A           | Flange - Mtg, Vial               |
| 6          | 2          | EAC0055J46A        | Knob - Shaft Clamp               |
| 7          | 1          | EAM0044J58A        | Spoiler Adaptor Wheel Clamp      |
| 8          | 1          | EAM0044J59A        | Shaft Spoiler Adaptor Std        |

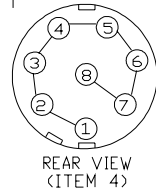
# Main Sensor Power Cable

EAW0235J00A



| #  | COLOR   |
|----|---------|
| 1  | DRAIN   |
| 2  | RED     |
| 3  | RED/BLK |
| 4  | DRG     |
| 5  | BLU     |
| 6  |         |
| 7  |         |
| 8  | BLK     |
| 9  |         |
| 10 | GRN     |
| 11 | WHT     |
| 12 | WHT/BLK |

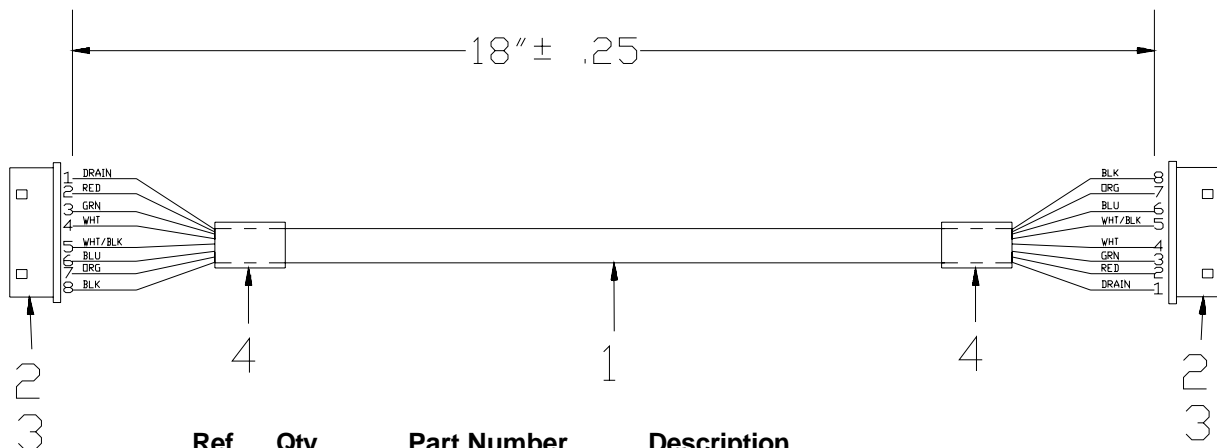
| Ref | Qty | Part Number | Description                     |
|-----|-----|-------------|---------------------------------|
| 1   | 1   | 6-10520A    | Shielded Cable                  |
| 2   | 1   | 2-39448A    | Receptacle - Housing 12 Circuit |
| 3   | 1   | 2-36548A    | Receptacle - Shell              |
| 4   | 1   | 2-36548A2   | Insert - Shell Male             |
| 5   | 8   | 2-10003A    | Contact Pin                     |
| 6   | 9   | 2-28401A    | Contact - Terminal              |
| 7   | 2   | 5-8532      | Tubing Heat Shrink              |



| # | COLOR   |
|---|---------|
| 1 | BLK     |
| 2 | DRG     |
| 3 | GRN     |
| 4 | WHT     |
| 5 | RED     |
| 6 | BLU     |
| 7 | WHT/BLK |
| 8 | RED/BLK |

# Tilt Cable

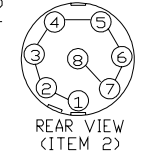
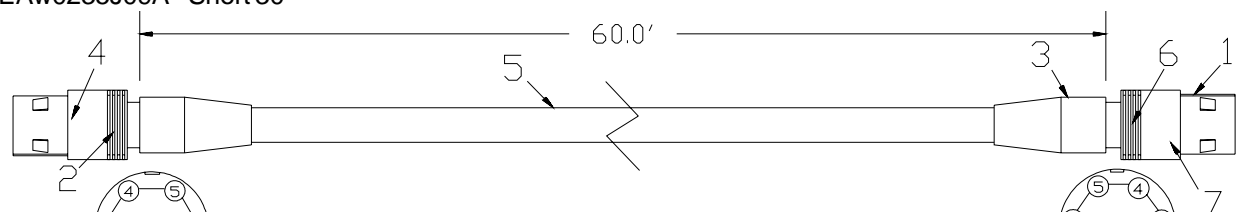
EAW0235J03A



| Ref | Qty | Part Number | Description                      |
|-----|-----|-------------|----------------------------------|
| 1   | 18" | 6-10520A4   | Cable Shielded 8 Conductor 26AWG |
| 2   | 2   | 2-39348A    | Receptacle Housing (8 Circuit)   |
| 3   | 16  | 2-28401A    | Contact Terminal                 |
| 4   | 2"  | 5-8532      | Heat Shrink Tubing .250"         |

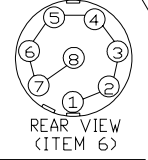
# HIB to Wheel Sensor Cable

EAW0235J19A - Long 60'  
EAW0235J09A - Short 30'



| PIN | COLOR      |
|-----|------------|
| 1   | BLACK      |
| 2   | YELLOW     |
| 3   | DRAIN WIRE |
| 4   | NOT USED   |
| 5   | RED        |
| 6   | ORANGE     |
| 7   | NOT USED   |
| 8   | BROWN      |

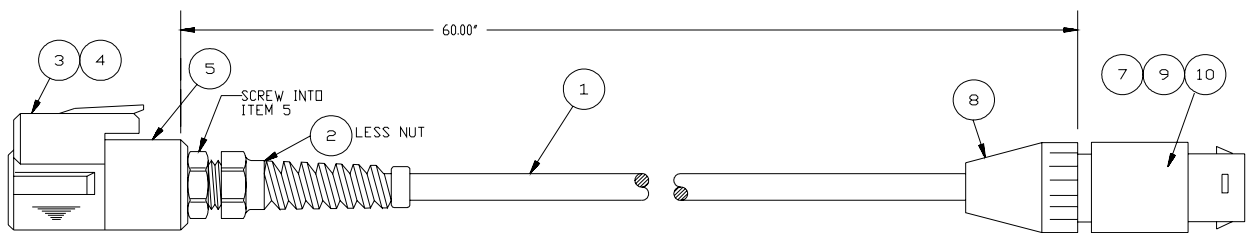
| Ref | Qty | Part Number | Description            |
|-----|-----|-------------|------------------------|
| 1   | 2   | 2-18247A    | Cable Housing          |
| 2   | 1   | 2-39548A2   | Insert - Shell Male    |
| 3   | 2   | 2-18247A1   | Strain Relief - W/Boot |
| 4   | 6   | 2-10003A    | Contact Pin            |
| 5   | 1   | 6-10420A    | Shielded Cable         |
| 6   | 1   | 2-39548A1   | Insert - Shell Female  |
| 7   | 5   | 2-09903A    | Contact Socket         |



| PIN | COLOR    |
|-----|----------|
| 1   | BLACK    |
| 2   | YELLOW   |
| 3   | NOT USED |
| 4   | NOT USED |
| 5   | RED      |
| 6   | ORANGE   |
| 7   | NOT USED |
| 8   | BROWN    |

# Electronic TT to Wheel Sensor

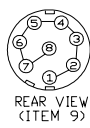
EAW0235J33A



| PIN | COLOR  |
|-----|--------|
| 1   | BLACK  |
| 2   | YELLOW |
| 3   | GREEN  |
| 4   | WHITE  |
| 5   | RED    |
| 6   | ORANGE |
| 7   | N/C    |
| 8   | N/C    |
| 9   | N/C    |
| 10  | VIOLET |
| 11  | N/C    |
| 12  | N/C    |

| Ref | Qty | Part Number | Description                  |
|-----|-----|-------------|------------------------------|
| 1   | 60" | 6-09720A    | Cable 9 Conductor            |
| 2   | 1   | 8-07219A    | Fitting - Flex               |
| 3   | 1   | 2-16047A    | Connector - Plug, 12 pin     |
| 4   | 6   | 2-08403A    | Contact Socket               |
| 5   | 1   | EAM0007J40A | Sleeve 12.5 X .75THK, Tapped |
| N/S | .06 | 6-33523     | Wire - 24 AWG Black          |
| 7   | 1   | 2-18247A    | Housing Cable                |
| 8   | 1   | 2-18247A1   | Strain Relief -W/Boot        |
| 9   | 1   | 2-39548A1   | Insert - Shell Female        |
| 10  | 7   | 2-09903A    | Contact Socket               |
| N/S | .04 | 5-8332      | Tubing - Heat Shrink, 1/8"   |

| PIN | COLOR  | SIGNAL      |
|-----|--------|-------------|
| 1   | BLACK  | GND         |
| 2   | YELLOW | TX          |
| 3   | GREEN  | PH A        |
| 4   | WHITE  | PH B        |
| 5   | RED    | V+          |
| 6   | ORANGE | RX          |
| 7   | VIOLET | VTT         |
| 8   | BLUE   | CHASSIS GND |

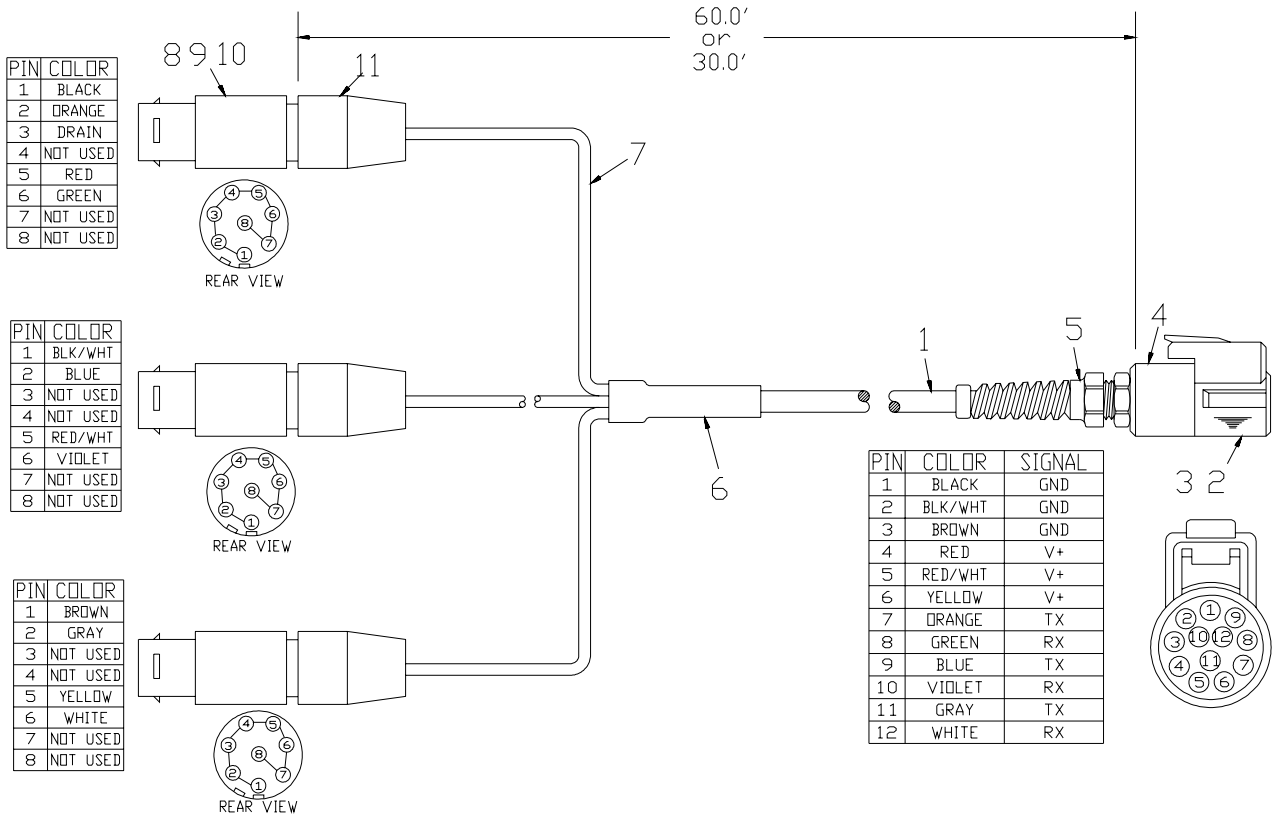




# HIB Box To Junction Box Wired Lift

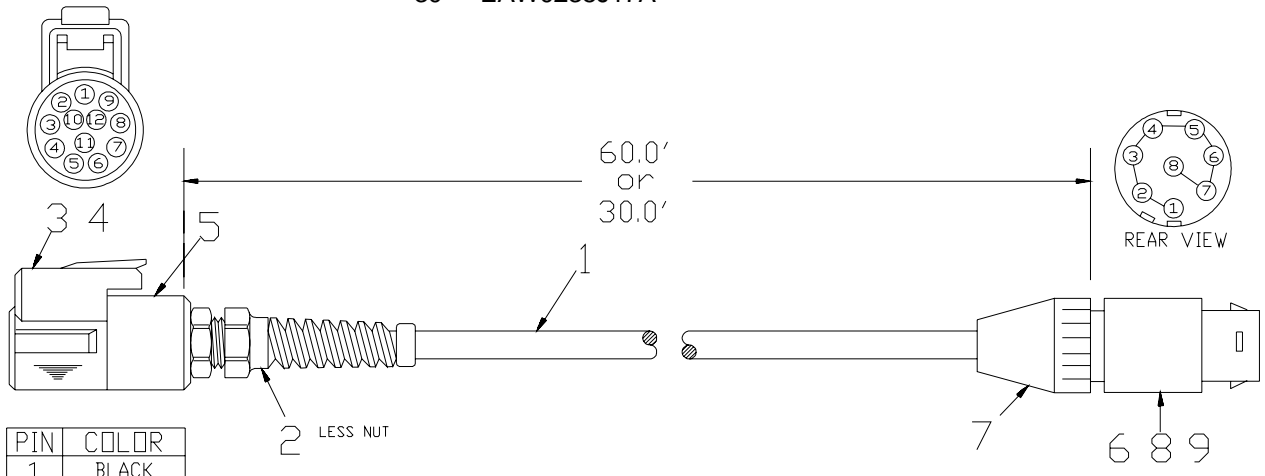
30' EAW0235J15A

60' EAW0235J32A



| Ref | Qty   | Part Number | Description                   |
|-----|-------|-------------|-------------------------------|
| 1   | 30'   | 6-09820A    | Cable 12 Conductor, 24 AWG    |
| 2   | 2     | 2-16047A    | Connector Plug, Quick Connect |
| 3   | 12    | 2-08403A    | Contact Socket                |
| 4   | 1     | EAM0007J40A | Sleeve 12.5 X .75THK, Tapped  |
| 5   | 1     | 8-07219A    | Fitting - Flex                |
| 6   | .25"  | 5-8632      | Tubing Heat Shrink 3/16"      |
| 7   | 1.25" | 5-8432      | Tubing Heat Shrink 3/8"       |
| 8   | 3     | 2-18247A    | Housing Cable                 |
| 9   | 3     | 2-39548A2   | Insert Shell (Male)           |
| 10  | 13    | 2-10003A    | Contact Pin                   |
| 11  | 3     | 2-18247A1   | Strain Relief -W/Boot         |

**ETT / Remote To HIB** 60' EAW0235J16A  
 30' EAW0235J17A



| PIN | COLOR  |
|-----|--------|
| 1   | BLACK  |
| 2   | YELLOW |
| 3   | N/C    |
| 4   | N/C    |
| 5   | RED    |
| 6   | ORANGE |
| 7   | N/C    |
| 8   | N/C    |
| 9   | N/C    |
| 10  | N/C    |
| 11  | N/C    |
| 12  | N/C    |

| Ref | Qty | Part Number | Description                  |
|-----|-----|-------------|------------------------------|
| 1   | 60' | 6-08020A    | Cable - 4 Conductor          |
| 2   | 1   | 8-07219A    | Fitting - Flex               |
| 3   | 1   | 2-16047A    | Connector - Plug, 12 pin     |
| 4   | 4   | 2-08403A    | Contact Socket               |
| 5   | 1   | EAM0007J40A | Sleeve 12.5 X .75THK, Tapped |
| 6   | 1   | 2-18247A    | Housing Cable                |
| 7   | 1   | 2-18247A1   | Strain Relief -W/Boot        |
| 8   | 1   | 2-39548A2   | Insert Shell (Male)          |
| 9   | 5   | 2-10003A    | Contact Pin                  |

| PIN | COLOR  | SIGNAL |
|-----|--------|--------|
| 1   | BLACK  | GND    |
| 2   | YELLOW | TX     |
| 3   | DRAIN  | SHIELD |
| 4   | N/C    |        |
| 5   | RED    | V+     |
| 6   | ORANGE | RX     |
| 7   | N/C    |        |
| 8   | N/C    |        |

## Rack Wiring Kit

EAK0222J51A (Short Kit)

EAK0222J82A (Long Kit)

| <u>Ref</u> | <u>Qty Req.</u> | <u>Part Number</u> | <u>Description</u>                           |
|------------|-----------------|--------------------|--|
| 1          | 1               | <b>EAA0287J19A</b> | Box Assy - Junction, RR External             |
| 2          | 2               | <b>EAA0287J32A</b> | Box Assy - Junction, FRT External            |
| 3          | 6               | 1-02783A24         | Duct - Latching, Panduit                     |
| 4          | 4               | 1-02783A12         | Duct - Latching, Panduit                     |
| 5          | 8               | 01101849000        | Screw - Self Tap, #12 - 24 X 3/8             |
| 6          | 4               | EAW0235J33A        | Cable Ass'y - Ett To Head                    |
| 7          | 2               | EAW0235J15A        | Cable Ass'y - USB To Junction Bx (Short Kit) |
|            | 2               | EAW0235J32A        | Cable Ass'y - USB To Junction Bx (Long Kit)  |
| 8          | 12              | 00069735000        | Duct - Latching, Panduit Tiedo               |
| 9          | 8               | 01122202000        | Grommet                                      |
| 10         | 1               | 00069821000        | Carton                                       |
| 11         | 1               | 08501540000        | Bag - Plastic                                |
| 12         | 1               | TEAK0222J51A0      | Install Instruct - Rack / CCD Algn           |
| 13         | 1               | <b>EAA0287J18A</b> | Box Assy - Junction, LR External             |

### **EAA0287J18A Box Assy - Junction, LR External**

| <u>Qty</u> | <u>Part Number</u> | <u>Description</u>               |
|------------|--------------------|----------------------------------|
| 1          | 00068899000        | Box - Junction, Rear             |
| 1          | EAW0244J54A        | Cable Assy - Wired Lift          |
| 1          | 00086767000        | PCB Ass'y - Wiring Kit           |
| 4          | 00074292000        | Support - PCB                    |
| 8          | 01101885000        | Screw - Self Tap, #4 - 40 X 3/4  |
| 2          | 00083327000        | Support - Receptacle(alum/Extr   |
| 2          | 00985166000        | Foam - Adhesive, 1/8 X .38 Rol   |
| 1          | EAW0244J55A        | Cable Assy - Junction Box Extrnl |
| 1          | 00090757000        | Label - Unit Power               |

### **EAA0287J19A Box Assy - Junction, RR External**

| <u>Qty</u> | <u>Part Number</u> | <u>Description</u>               |
|------------|--------------------|----------------------------------|
| 1          | 00068899000        | Box - Junction, Rear             |
| 1          | EAW0244J54A        | Cable Assy - Wired Lift          |
| 1          | 00086767000        | PCB Ass'y - Wiring Kit           |
| 4          | 00074292000        | Support - PCB                    |
| 8          | 01101885000        | Screw - Self Tap, #4 - 40 X 3/4  |
| 2          | 00083327000        | Support - Receptacle(alum/Extr   |
| 2          | 00985166000        | Foam - Adhesive, 1/8 X .38 Rol   |
| 1          | EAW0244J55A        | Cable Assy - Junction Box Extrnl |
| 1          | 00090757000        | Label - Unit Power               |

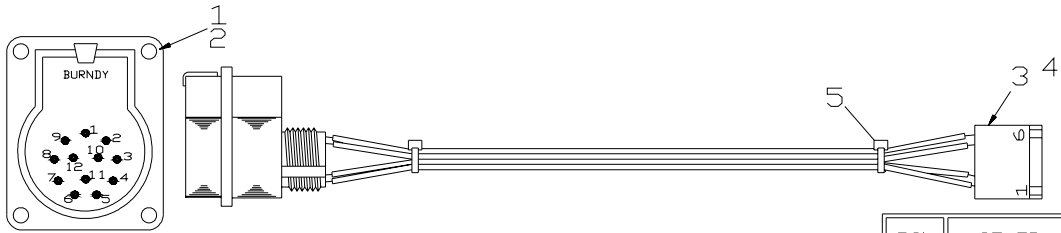
### **EAA0287J32A Box Assy - Junction, FRT External**

| <u>Qty</u> | <u>Part Number</u> | <u>Description</u>              |
|------------|--------------------|---------------------------------|
| 1          | 00068899000        | Box - Junction, Rear            |
| 2          | EAX0043J63A        | Cable Assy - Front              |
| 8          | 01101885000        | Screw - Self Tap, #4 - 40 X 3/4 |
| 2          | 00083327000        | Support - Receptacle(alum/Extr  |

# Cable Assembly Wired Lift

EAW0244J54A

| PIN | COLOR  |
|-----|--------|
| 1   | BLACK  |
| 2   | YELLOW |
| 3   | UNUSED |
| 4   | UNUSED |
| 5   | RED    |
| 6   | ORANGE |
| 7   | UNUSED |
| 8   | UNUSED |
| 9   | UNUSED |
| 10  | UNUSED |
| 11  | UNUSED |
| 12  | UNUSED |



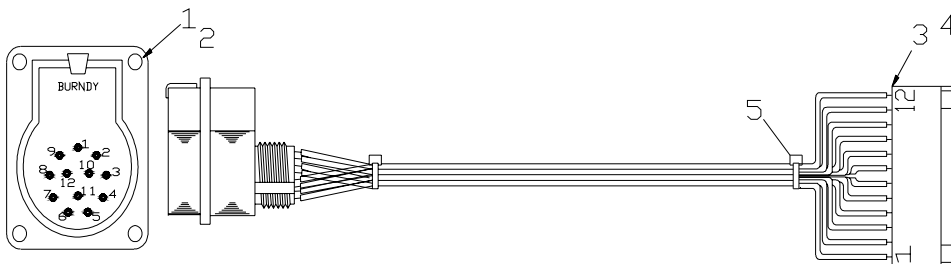
| Ref | Qty | Part Number | Description              |
|-----|-----|-------------|--------------------------|
| 1   | 1   | 00083195000 | Connector - 12 Pin       |
| 2   | 4   | 00070876000 | Contact Pin              |
| 3   | 1   | 00075028000 | Connector - Female 6 Pin |
| 4   | 4   | 00070558000 | Terminal Crimp           |
| 5   | 2   | 00064383000 | Cable Tie                |

| PIN | COLOR  |
|-----|--------|
| 1   | BLACK  |
| 2   | YELLOW |
| 3   | N/C    |
| 4   | N/C    |
| 5   | RED    |
| 6   | ORANGE |

# Cable Assembly Junction Box

EAW0244J55A

| PIN | COLOR  |
|-----|--------|
| 1   | BLACK  |
| 2   | BLACK  |
| 3   | BLACK  |
| 4   | RED    |
| 5   | RED    |
| 6   | RED    |
| 7   | ORANGE |
| 8   | GREEN  |
| 9   | BLUE   |
| 10  | VIOLET |
| 11  | GRAY   |
| 12  | WHITE  |



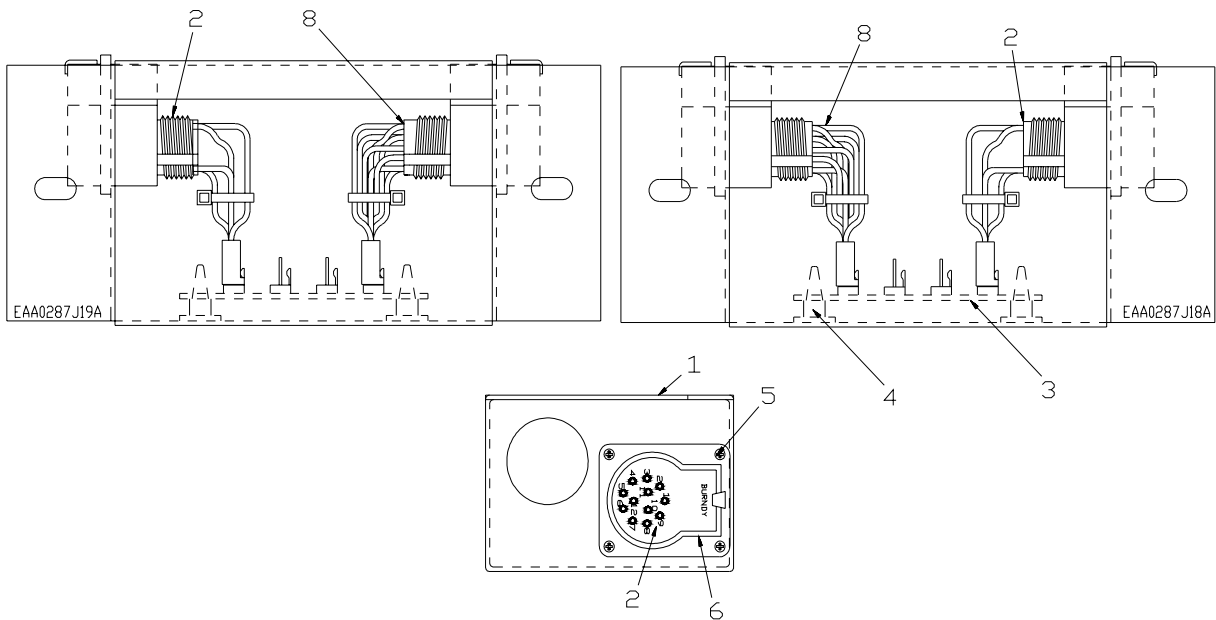
| Ref | Qty | Part Number | Description               |
|-----|-----|-------------|---------------------------|
| 1   | 1   | 00083195000 | Connector - 12 Pin        |
| 2   | 12  | 00070876000 | Contact Pin               |
| 3   | 1   | 00075061000 | Connector - Female 12 Pin |
| 4   | 12  | 00070558000 | Terminal Crimp            |
| 5   | 2   | 00064383000 | Cable Tie                 |

| PIN | COLOR  |
|-----|--------|
| 1   | BLACK  |
| 2   | BLACK  |
| 3   | BLACK  |
| 4   | RED    |
| 5   | RED    |
| 6   | RED    |
| 7   | ORANGE |
| 8   | GREEN  |
| 9   | BLUE   |
| 10  | VIOLET |
| 11  | GRAY   |
| 12  | WHITE  |

# Junction Box Assembly

Left Rear - EAA0287J18A

Right Rear - EAA0287J19A



| <u>Ref</u> | <u>Qty</u> | <u>Part Number</u> | <u>Description</u>               |
|------------|------------|--------------------|----------------------------------|
| 1          | 1          | 00068899000        | Box - Junction, Rear             |
| 2          | 1          | EAW0244J54A        | Cable Assy - Wired Lift          |
| 3          | 1          | 00086767000        | PCB Ass'y - Wiring Kit           |
| 4          | 4          | 00074292000        | Support - PCB                    |
| 5          | 8          | 01101885000        | Screw - Self Tap, #4 - 40 X 3/4  |
| 6          | 2          | 00083327000        | Support - Receptacle(alum/Extr   |
| 7          | 2          | 00985166000        | Foam - Adhesive, 1/8 X .38 Rol   |
| 8          | 1          | EAW0244J55A        | Cable Assy - Junction Box Extrnl |
| NS         | 1          | 00090757000        | Label - Unit Power               |

## Additional Rack Wiring Kits

### EAK0222J86A KIT - 60' UPGRADE

|   |              |   |
|---|--------------|---|
| 1 | 2-37666A     | Power Supply - 10v, 40w                         |
| 2 | EAW0235J32A  | Cable Assy - USB To Junct. Box (Long, 3 headed) |
| 1 | 3-29626AD1   | Sftwr Assembly - Update Disk,HIB                |
| 1 | TEAK0222J86A | Instructions - 60' Upgrade Kit                  |

---

**EAK0222J37A** Wiring Kit and ETT for CCD aligner: Used for supplying Electronic Turntables and head cables for CCD aligner. Kit consist of 33' turntable to console cables included.

| <u>Qty</u> | <u>Part Number</u> | <u>Description</u>                   |
|------------|--------------------|--------------------------------------|
| 1          | 82EUR              | Set of Electronic Turntables         |
| 1          | EAK0222J32A        | Wiring kit CCD Standard (Short, 33') |

---

**EAK0222J38A** Wiring kit and ETT for CCD aligner: Used for supplying Electronic Turntables and head cables for CCD aligner. Kit consist of 60' turntable to console cables included.

| <u>Qty</u> | <u>Part Number</u> | <u>Description</u>                  |
|------------|--------------------|-------------------------------------|
| 1          | 82EUR              | Set of Electronic Turntables        |
| 1          | EAK0222J33A        | Wiring kit CCD Standard (Long, 60') |

---

**EAK0222J31A** CCD head Wiring Kit: Used to update a current external 86815 rack wiring kit to CCD alignment.

| <u>Qty</u> | <u>Part Number</u> | <u>Description</u>          |
|------------|--------------------|-----------------------------|
| 2          | EAW0235J15A        | Cable - Junction Box to HIB |
| 4          | EAW0235J33A        | Head Cable to Rack          |

---

**EAK0222J32A** CCD Head Short ETT Kit. Used if rack is already equipped with Ellectronic Turntable but NO Wiring Kit. Kit includes 33' turntable to console wires and two head cables.

| <u>Qty</u> | <u>Part Number</u> | <u>Description</u>                  |
|------------|--------------------|-------------------------------------|
| 2          | EAW0235J17A        | Electronic Turntables to HIB, Short |
| 2          | EAW0235J33A        | Head Cable to Rack                  |

---

**EAK0222J33A** CCD Head Long ETT Kit. Used if rack is already equipped with Ellectronic Turntable but NO Wiring Kit. Kit includes 60' turntable to console wires and two head cables.

| <u>Qty</u> | <u>Part Number</u> | <u>Description</u>                            |
|------------|--------------------|---|
| 2          | EAW0235J16A        | Electronic Turntables to HIB, Long (3 Headed) |
| 2          | EAW0235J33A        | Head Cable to Rack                            |









# ***Snap-on*** ***Equipment***

**Notice:** The information contained in this document is subject to change without notice. **Snapon** makes no warranty with regard to this material. Snapon shall not be liable for errors contained herein or for incidental consequential damages in connection with furnishings, performance, or use of this material.

This document contains proprietary information which is protected by copyright and patents. All rights are reserved. No part of this document may be photocopied, reproduced, or translated without prior written consent of **Snapon Incorporated**.