



*Electro Pneumatic Tire Changer*



*T 6000/BS*

**Spare Parts**

TEEWH529A3 Rev.M October 07



187-m-October-07

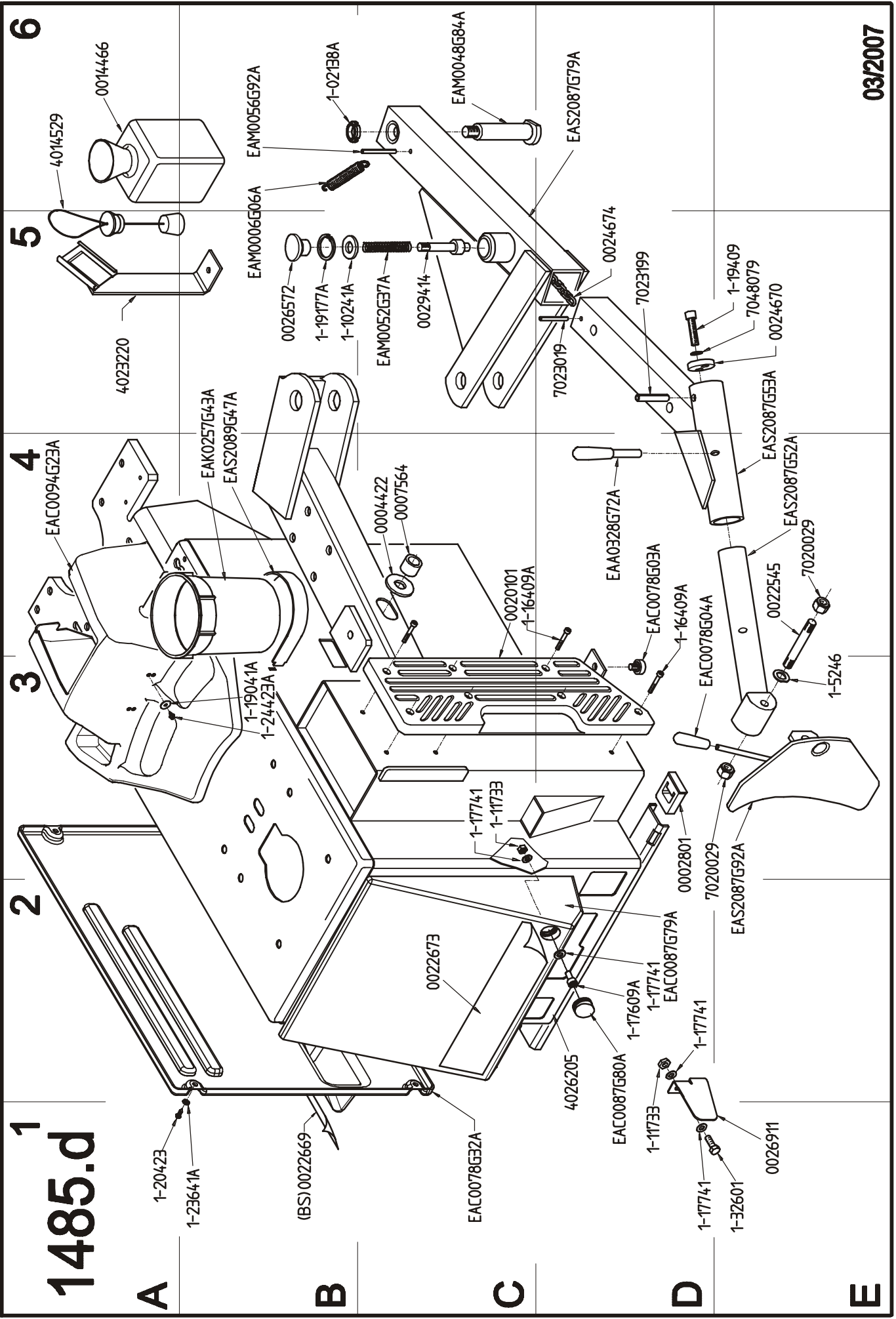
BLANK PAGE



**THIS PART IS FOR EXCLUSIVE USE OF QUALIFIED PERSONNEL FOR MAINTENANCE AND SERVICE PURPOSES.**

- ◆ **On order specify:** type of machine and serial number item code and quantity.

ST0000000 - BOLD TYPE CODES MEANS: SUGGESTED SPARE PARTS



03/2007

187-m-October-07



# 1409.d

**A**

**B**

**C**

**D**

**E**

**F**

1

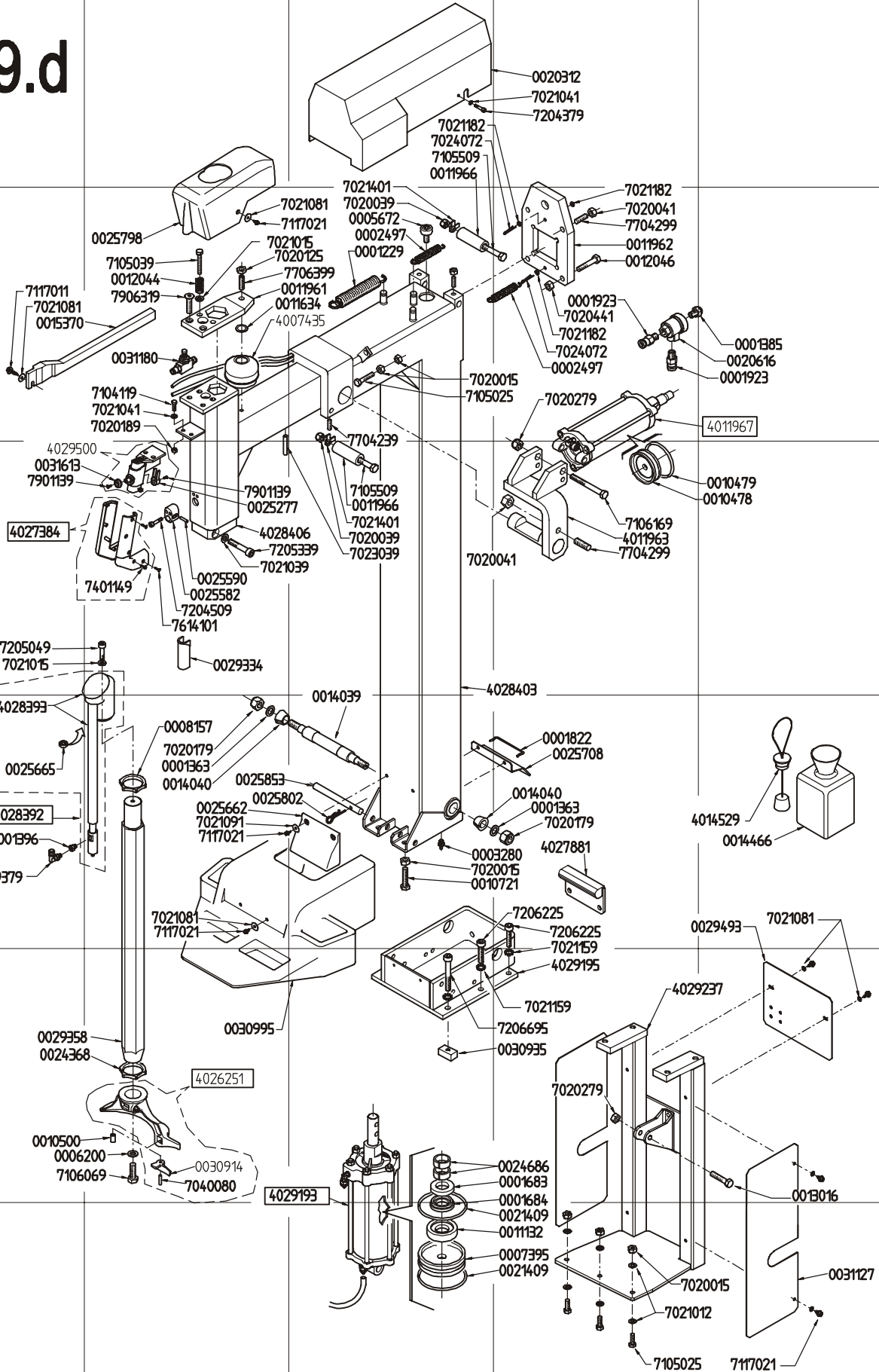
2

3

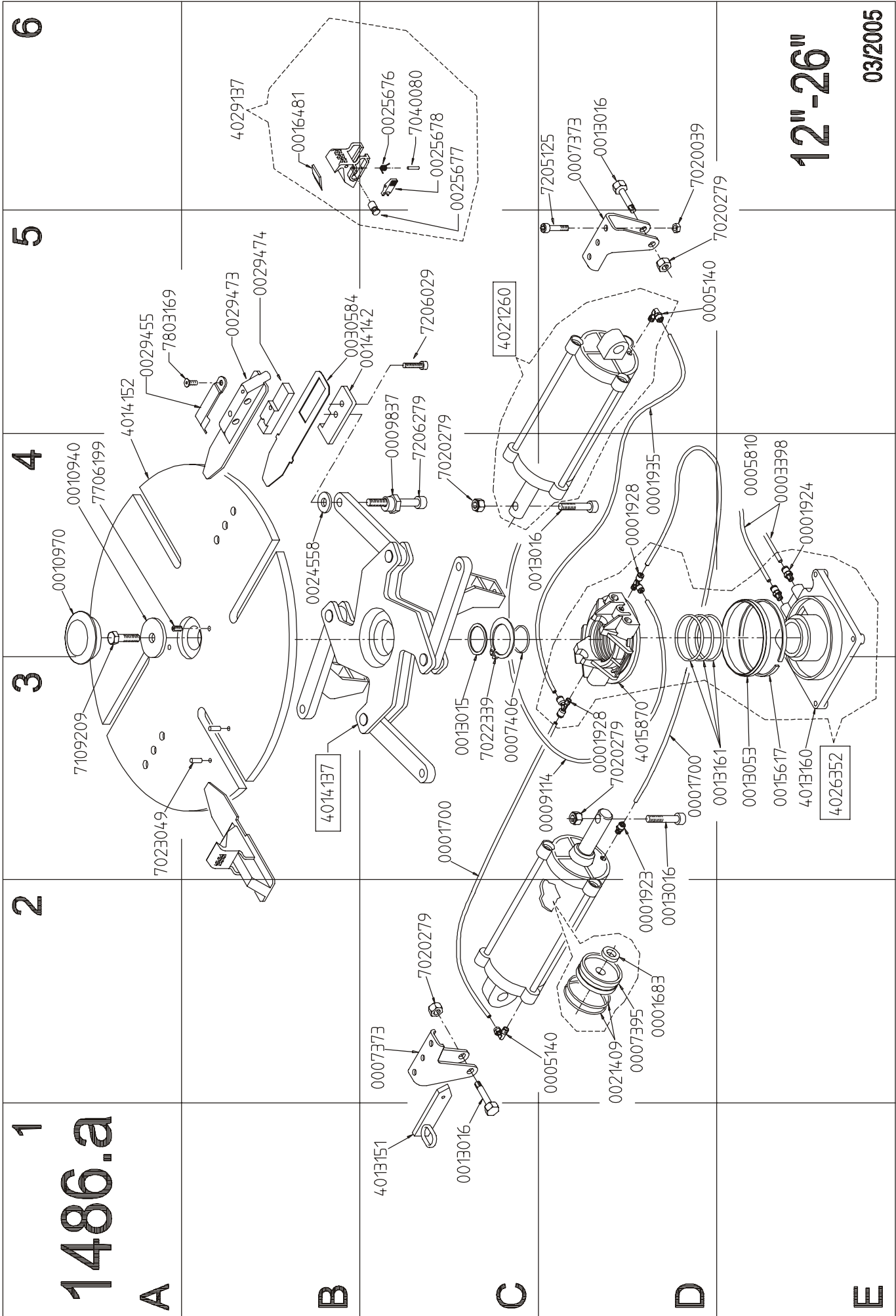
4

5

187-m-October--07



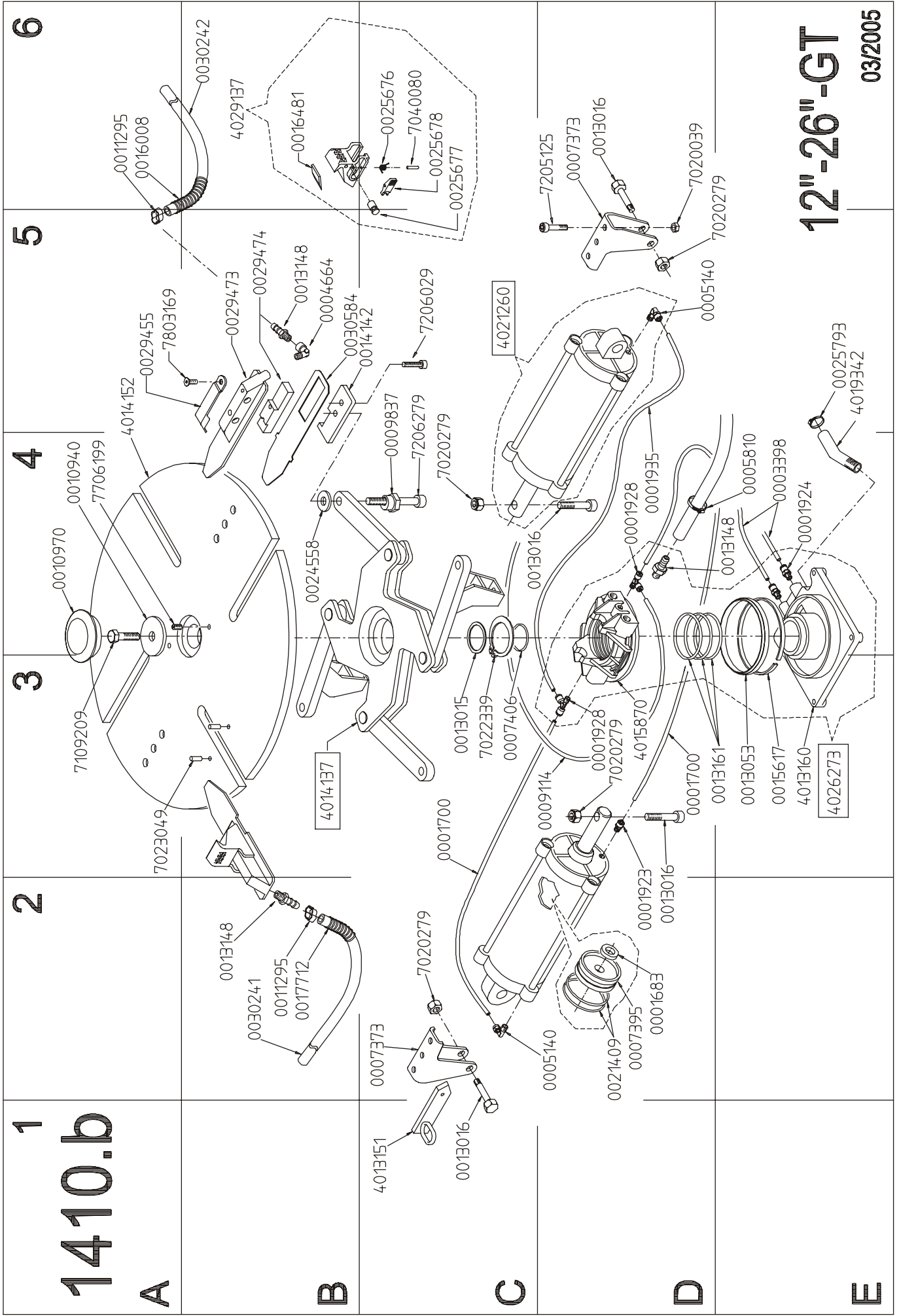
06/2006



187-m-October-07



187-m-October--07



# 12"-26"-GT

03/2005

1  
1487.a

A

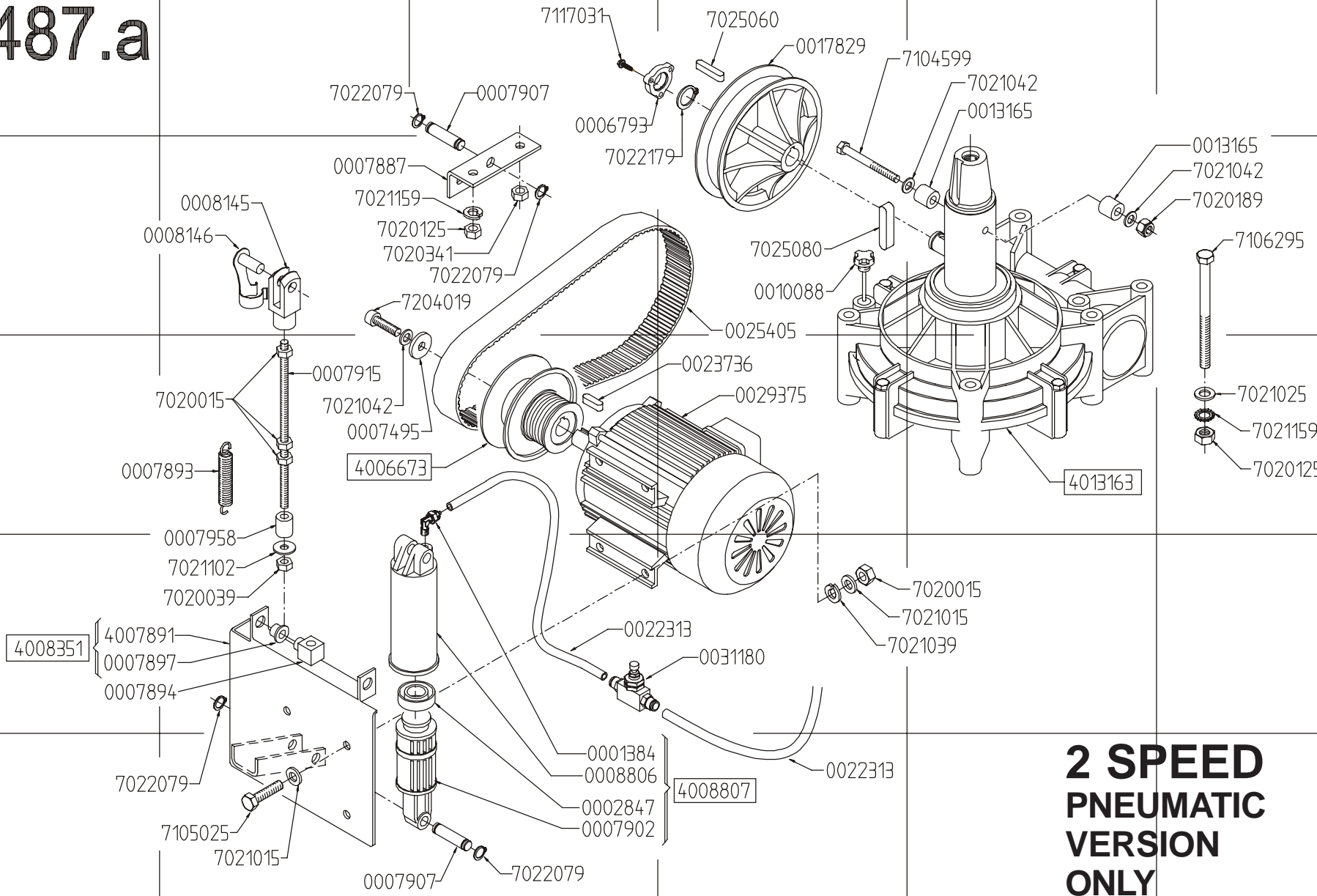
B

C

D

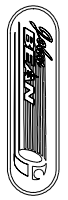
E

6



**2 SPEED  
PNEUMATIC  
VERSION  
ONLY**

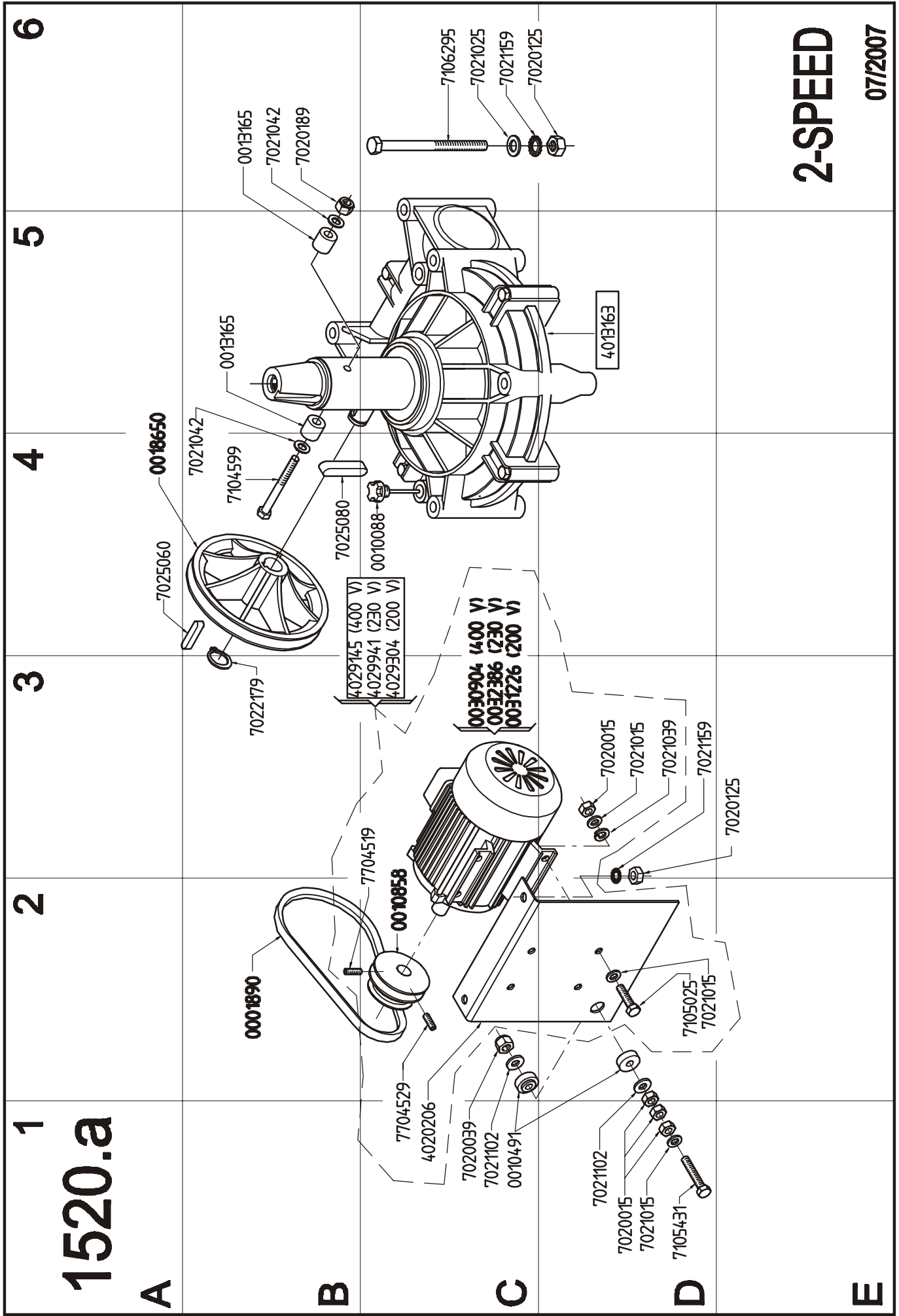
05/2005





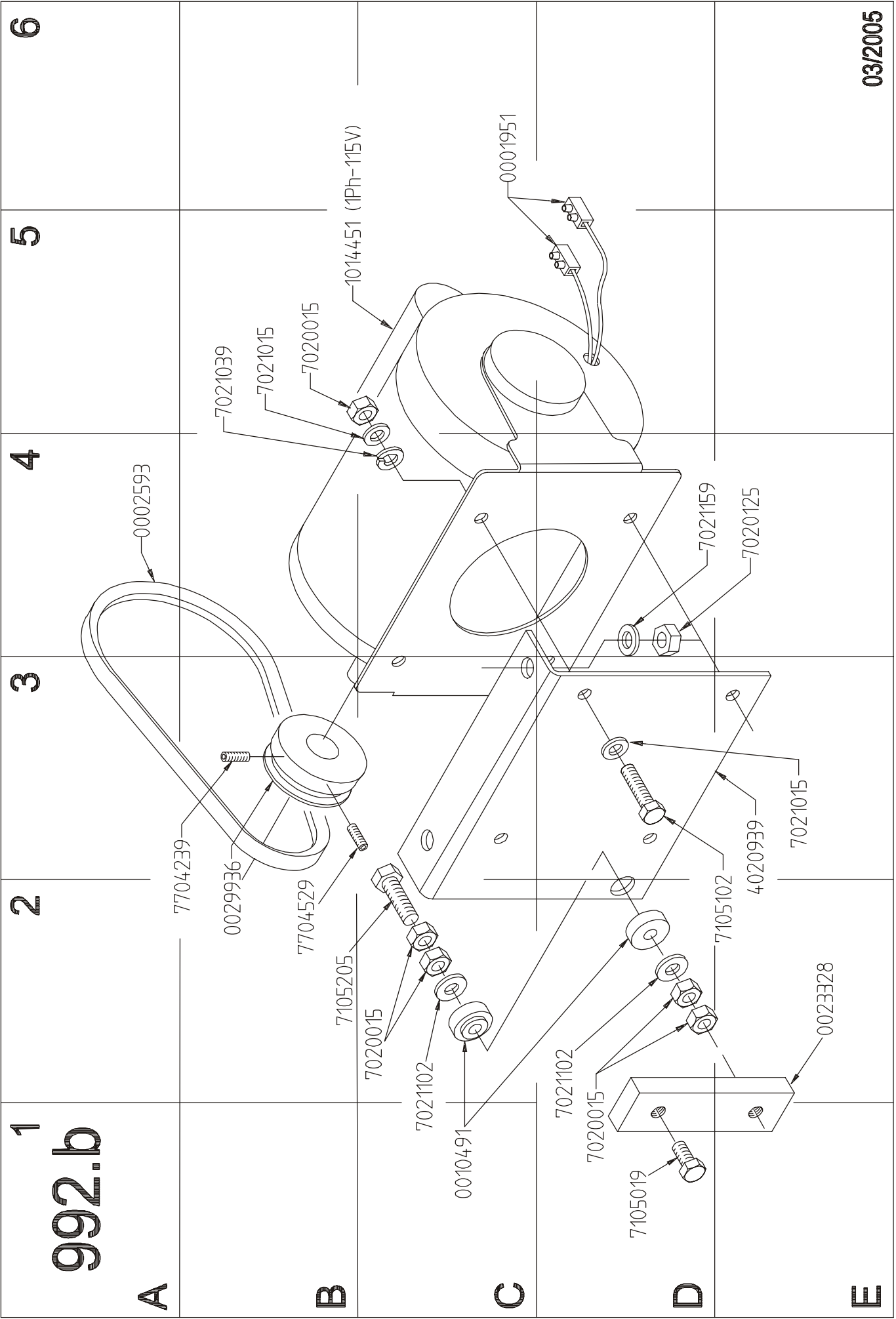


187-m-October--07



**2-SPEED**

07/2007

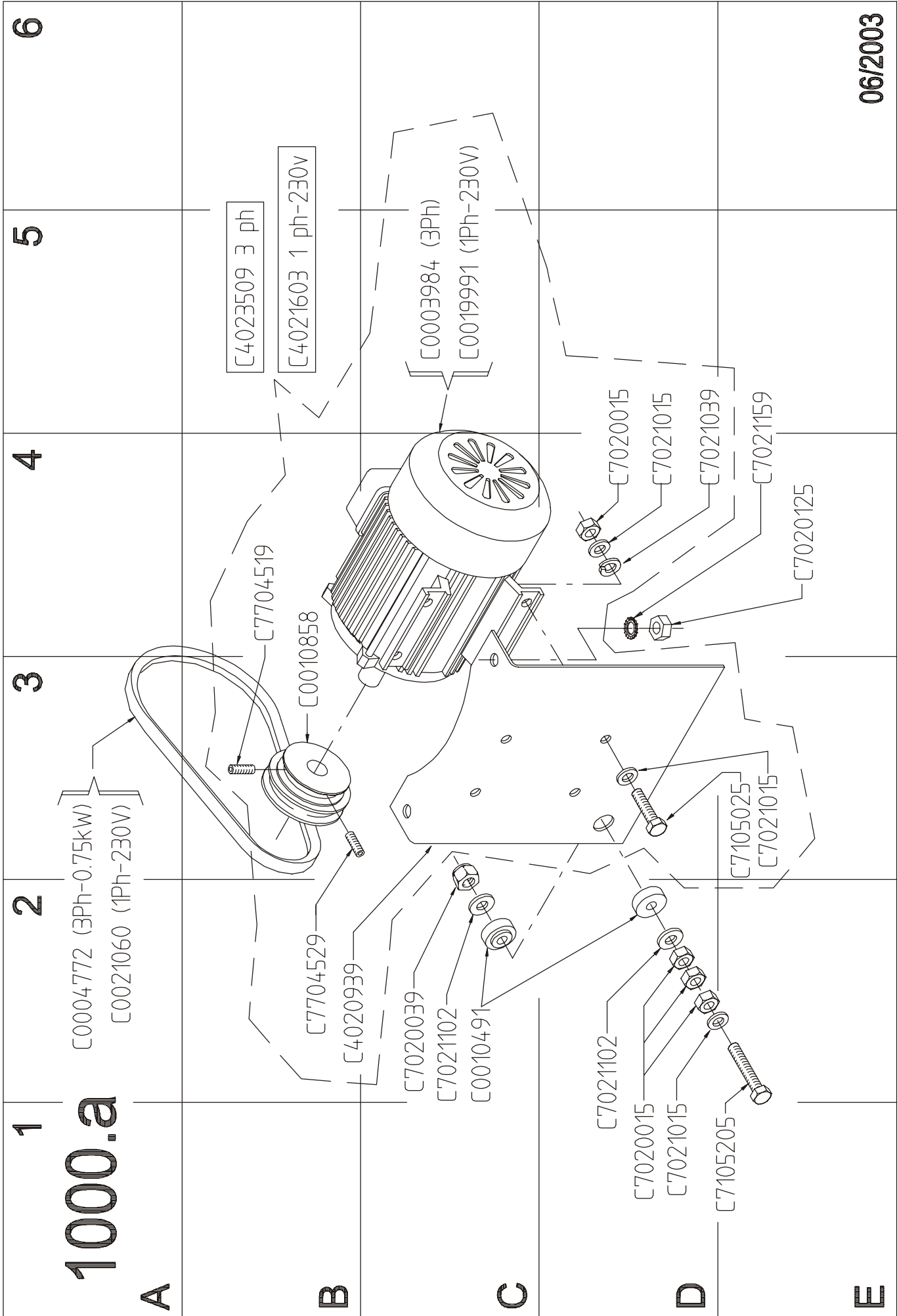


187-m-October-07

03/2005



187-m-October-07



06/2003



|  |   |  |   |   |                 |
|--|---|--|---|---|-----------------|
| <p><b>1</b></p> <p><b>1001</b></p> <p><b>A</b></p> | <p><b>2</b></p> <p>C7025060</p> <p>C7022179</p> | <p><b>3</b></p> <p>C0004396 (1Ph-230V)<br/>C0018650 (3Ph-0.75kw)</p> <p>C7104599</p> <p>C7025080</p> | <p><b>4</b></p> <p>C7021042</p> <p>C0013165</p> <p>C7020189</p> | <p><b>5</b></p> <p>C7106295</p> <p>C7021025</p> <p>C7021159</p> <p>C7020125</p> | <p><b>6</b></p> |
| <p><b>B</b></p>                                    | <p><b>C</b></p> <p>C4021047</p>                 | <p><b>D</b></p>  | <p><b>E</b></p>   | <p><b>11/2000</b></p>   |                 |

187-m-October-07



187-m-October--07



6

5

4

3

2

1

1412

A

B

C

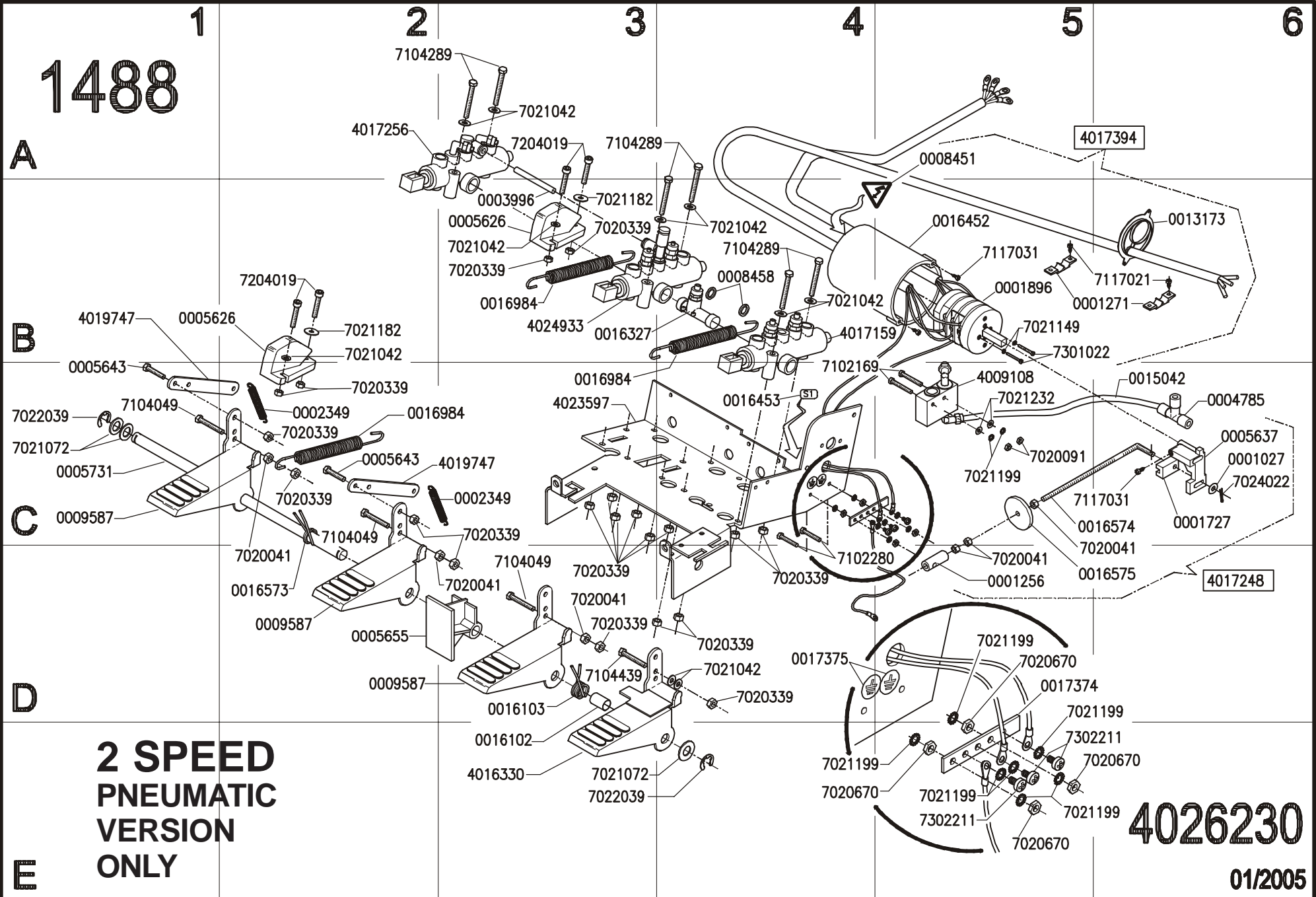
D

E

4026967

06/2004

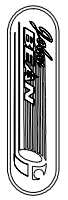
# 1488



**2 SPEED PNEUMATIC VERSION ONLY**

## 4026230

01/2005





187-m-October--07

1 2 3 4 5 6

1517

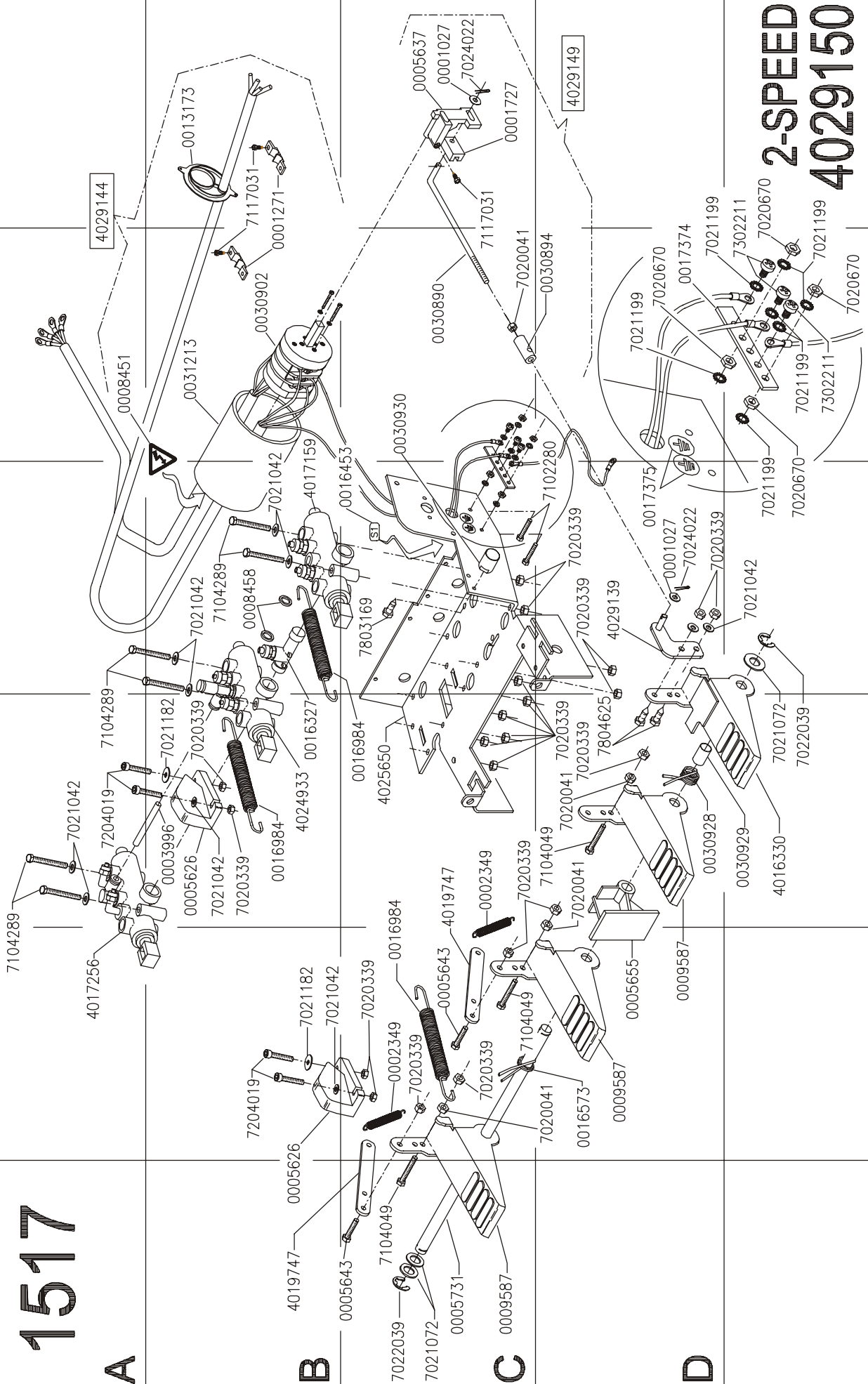
A

B

C

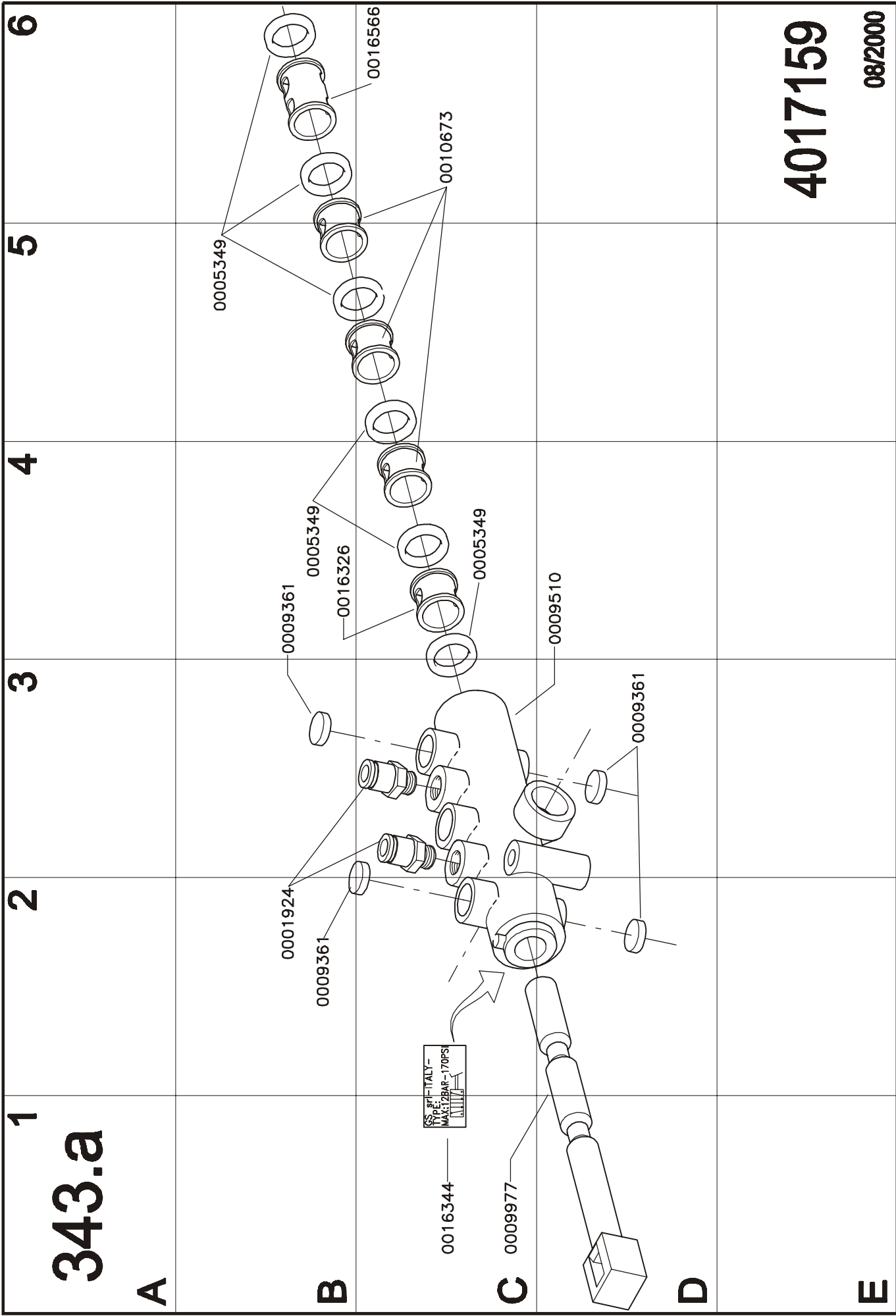
D

E



2-SPEED  
4029150

05/2005



6

5

4

3

2

1

343.a

A

B

C

D

E

4017159

08/2000

187-m-October-07





187-m-October--07

1 2 3 4 5 6

1414

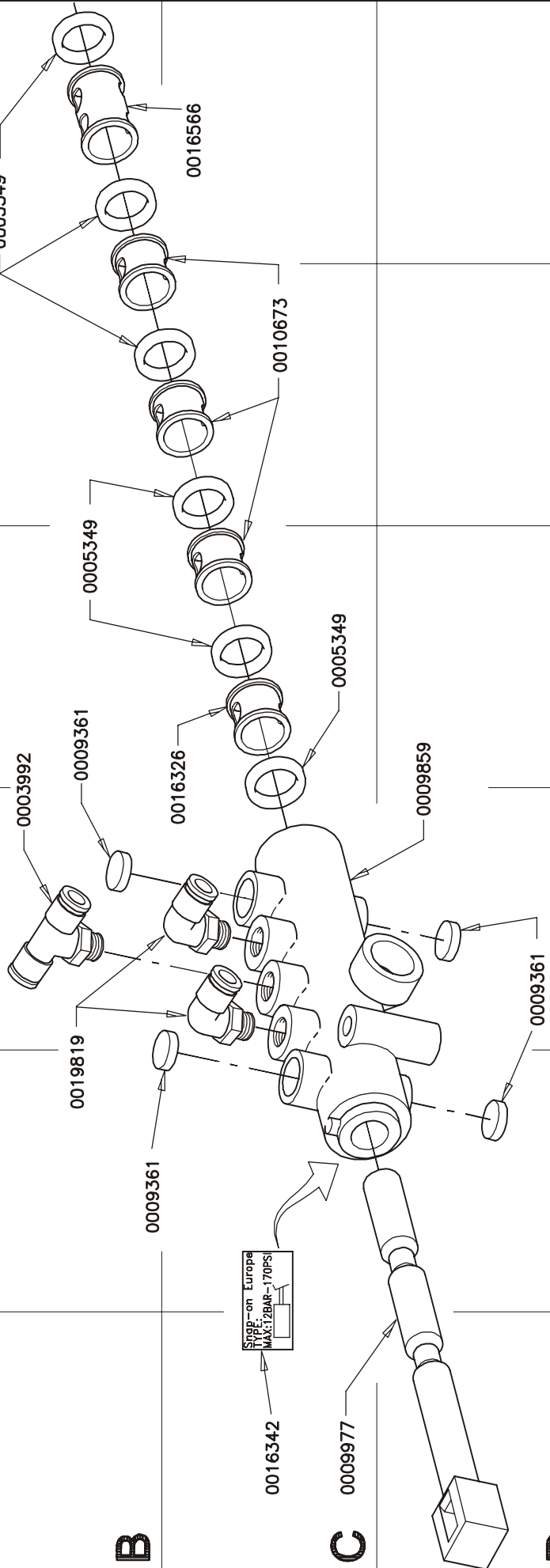
A

B

C

D

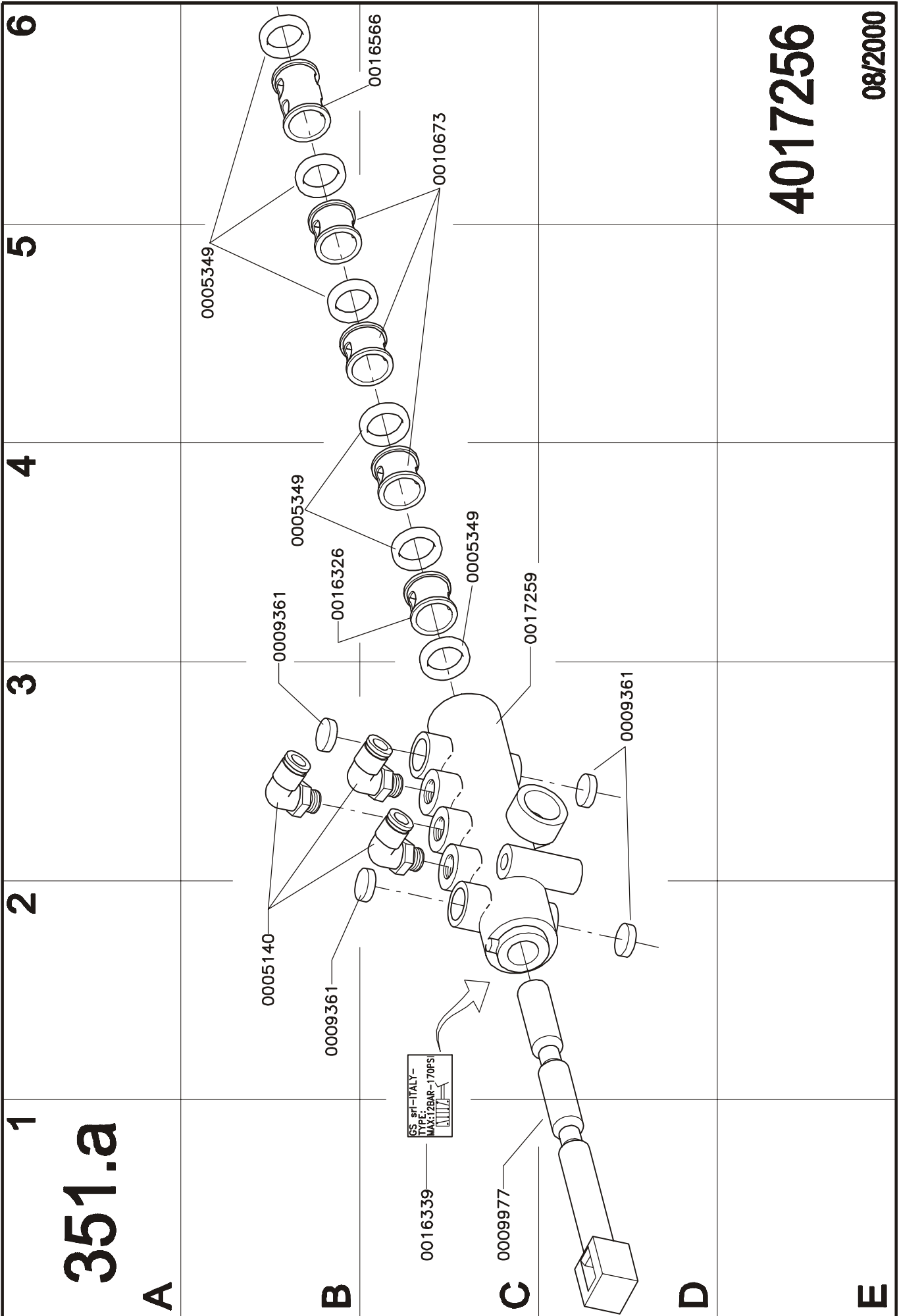
E



Single-on Europe  
TYPE  
MAX: 12BAR-170PSI

4024933

06/2004



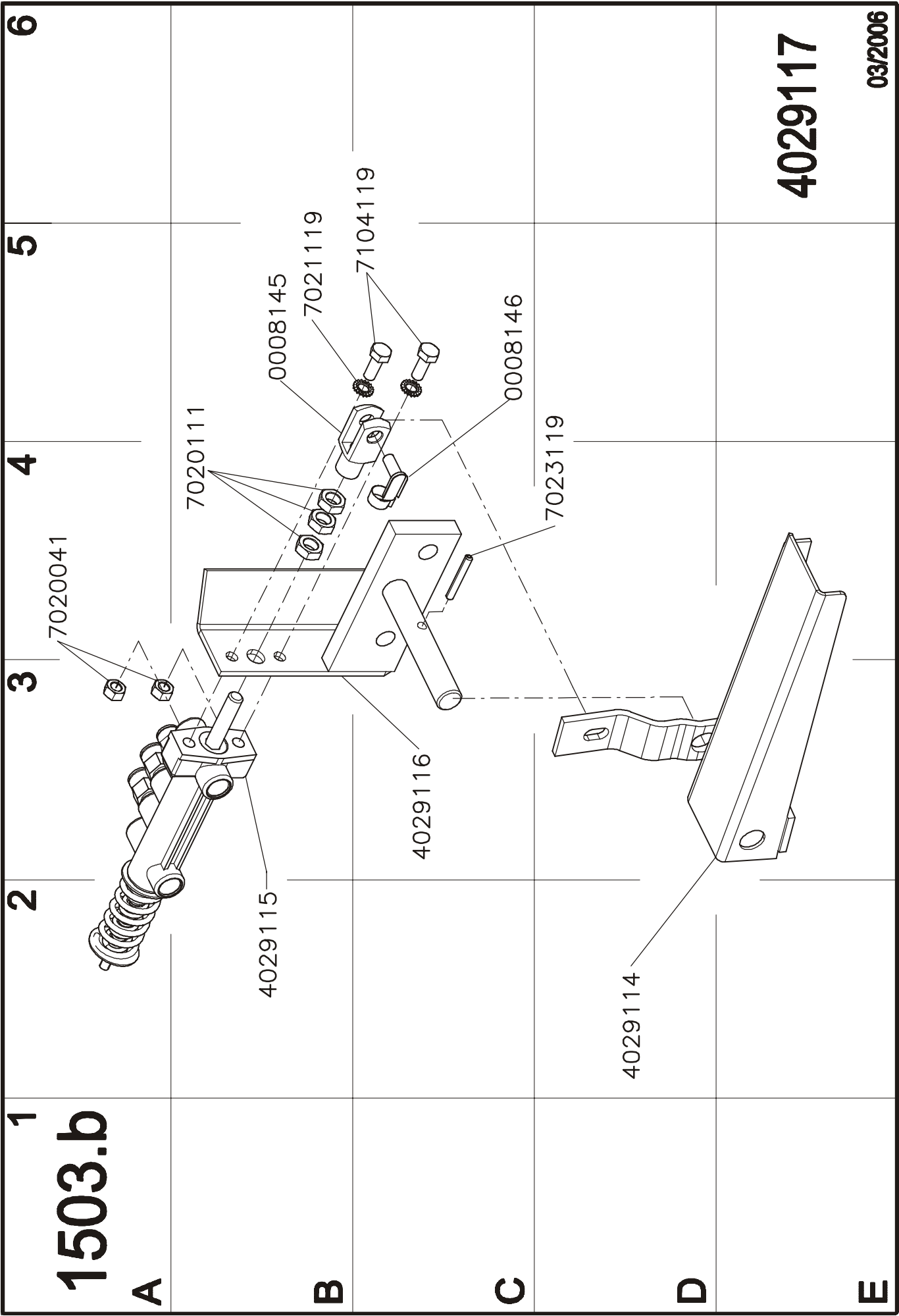
**4017256**

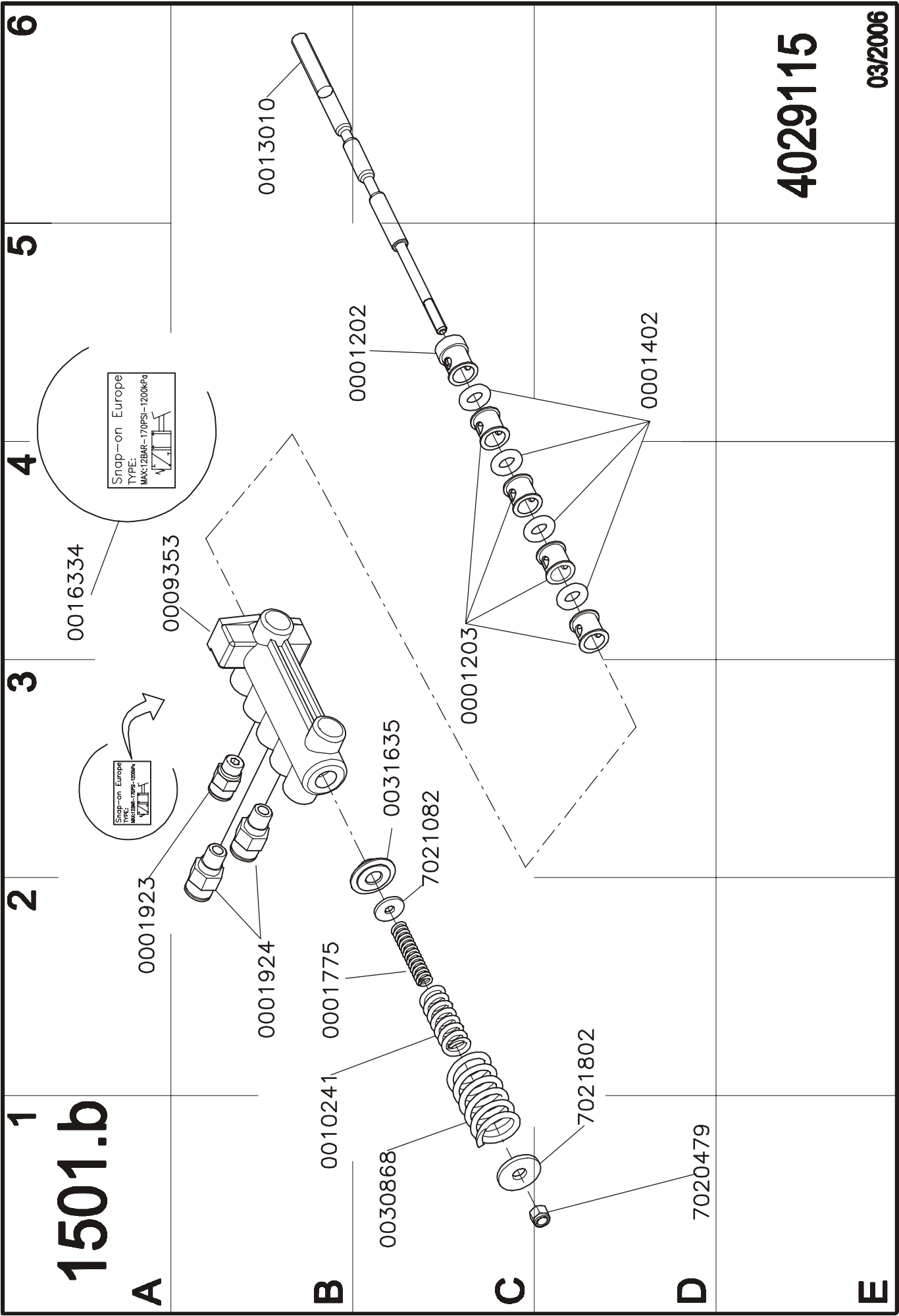
**08/2000**

187-m-October-07



187-m-October-07





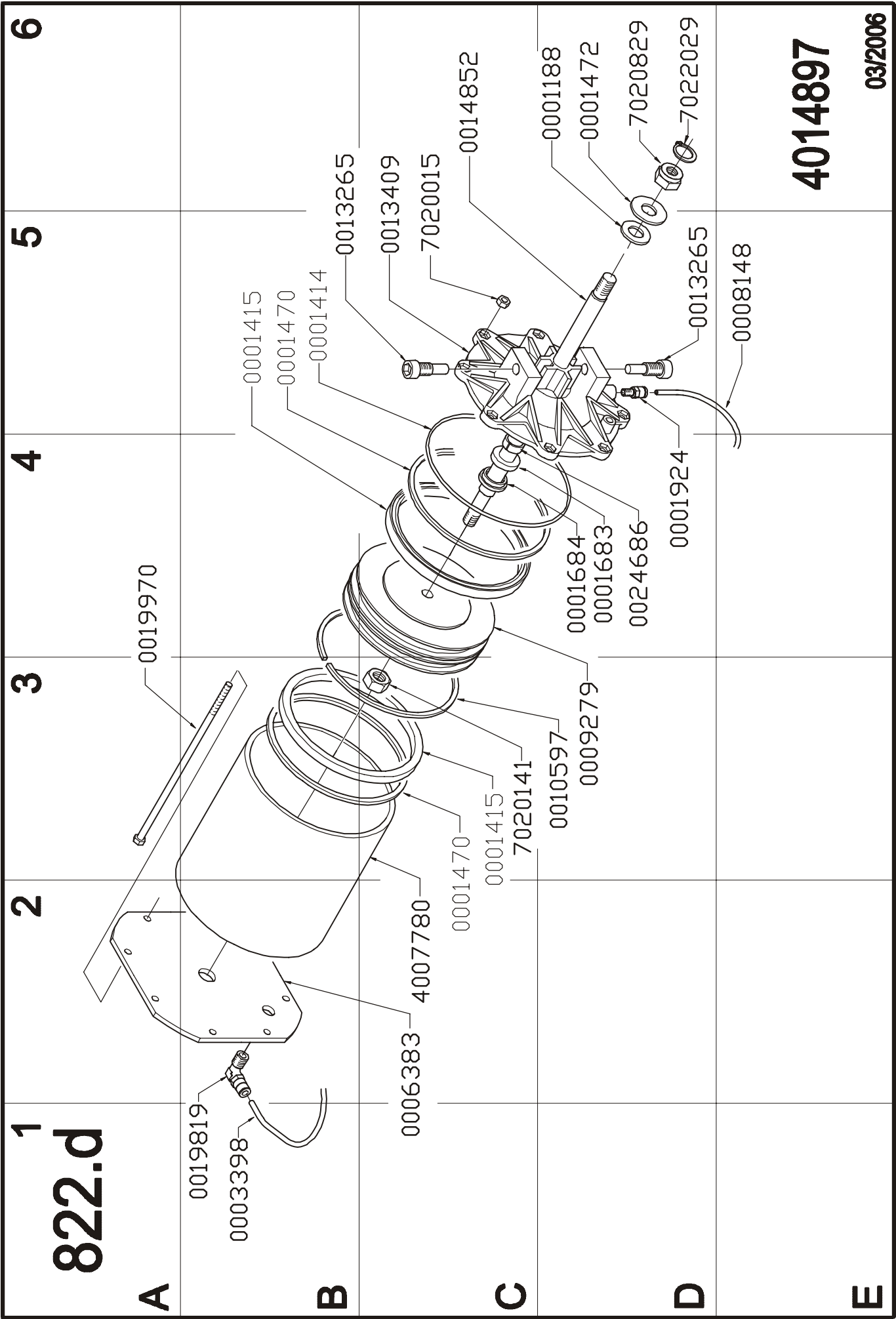
**4029115**

**03/2006**

187-m-October-07



187-m-October--07



1  
2  
3  
4  
5  
6

822.d

A

B

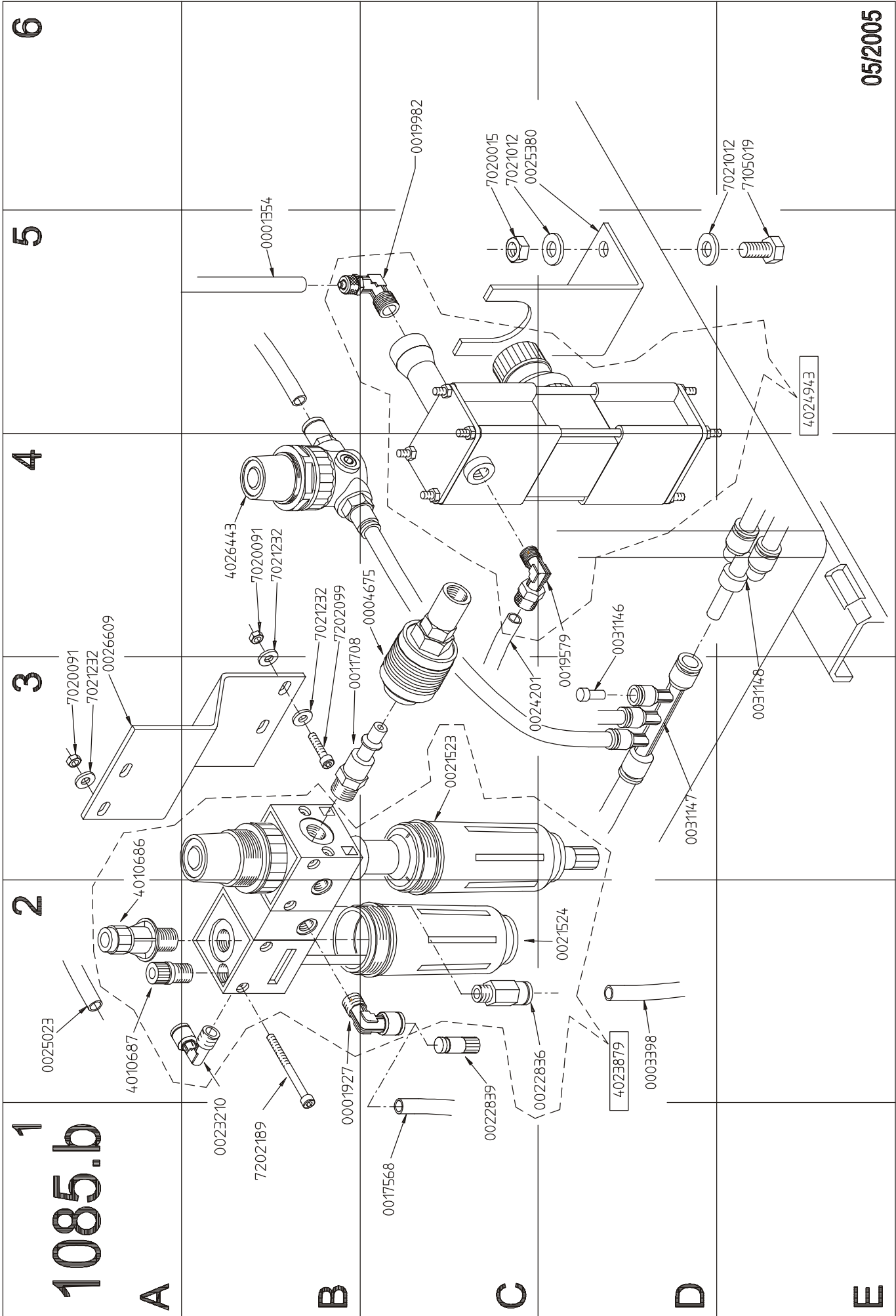
C

D

E

4014897

03/2006

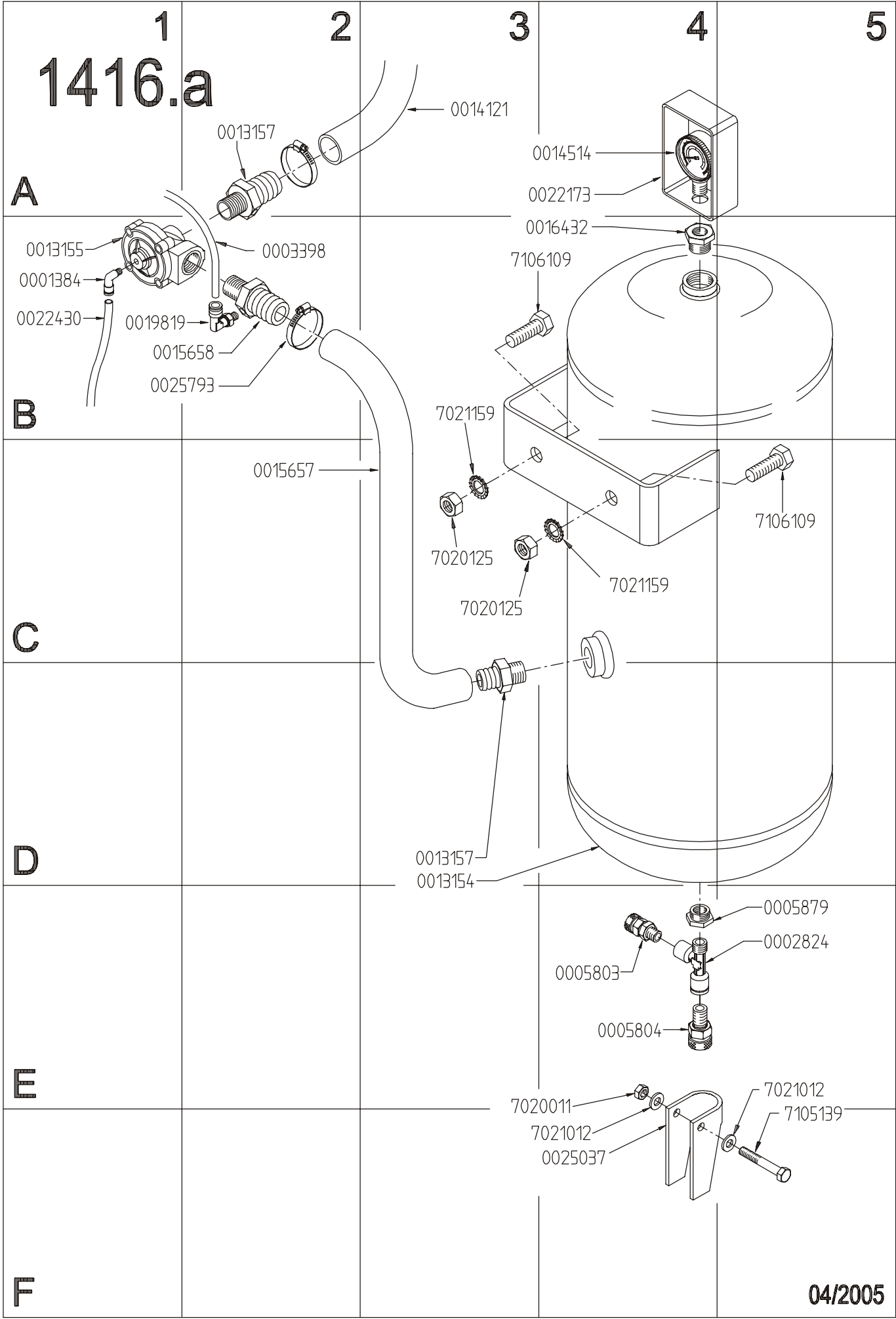


187-m-October-07

05/2005



# 1416.a

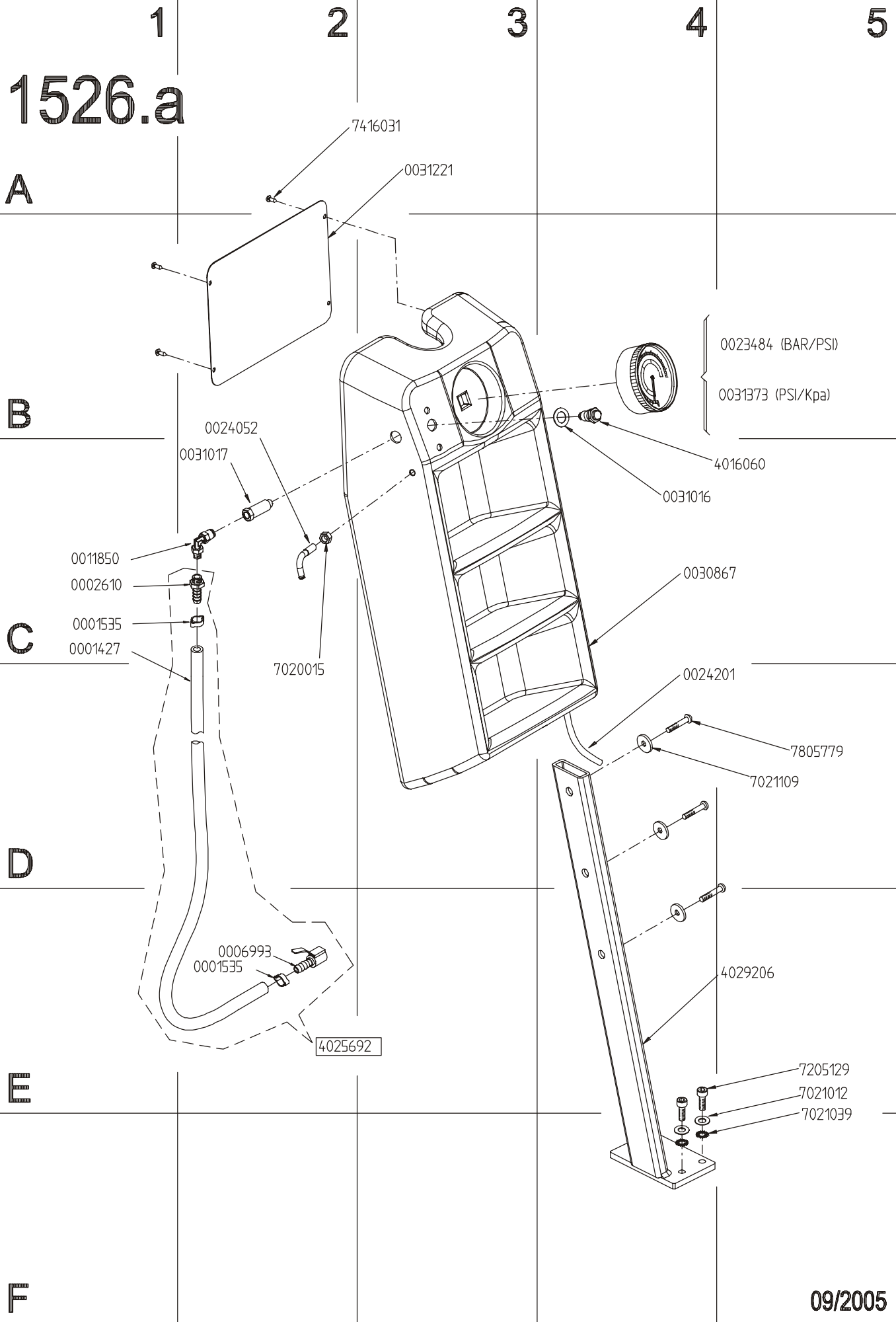


187-m-October-07

04/2005



# 1526.a



187-m-October-07

09/2005





**1**  
**1303.a**

**A**

**B**

**C**

**D**

**E**

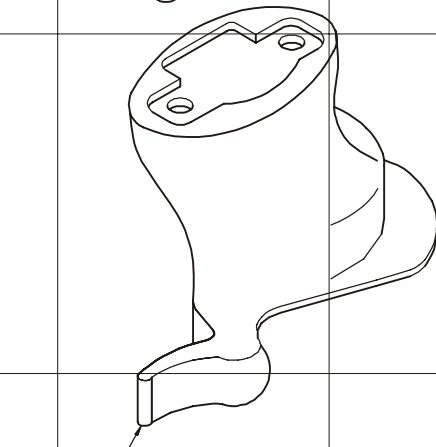
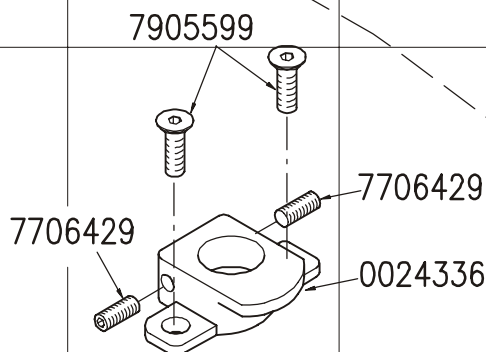
**F**

**3**

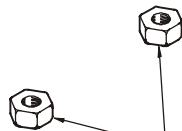
**4**

**5**

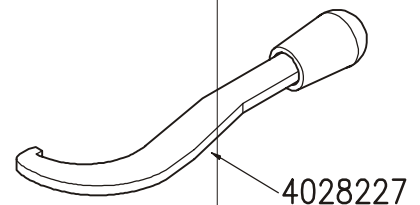
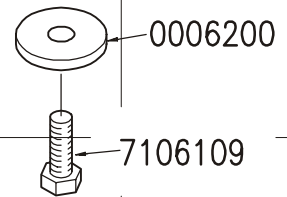
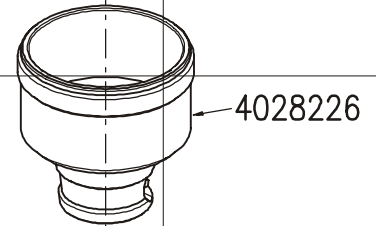
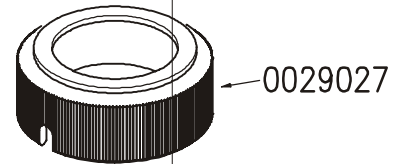
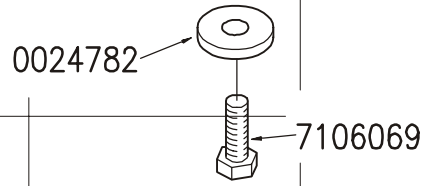
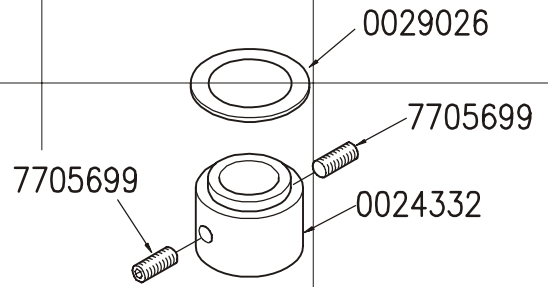
4024784  
4027646 (PROTRUDING SPOKE RIMS)



0024335  
0027786 (PROTRUDING SPOKE RIMS)



7020111



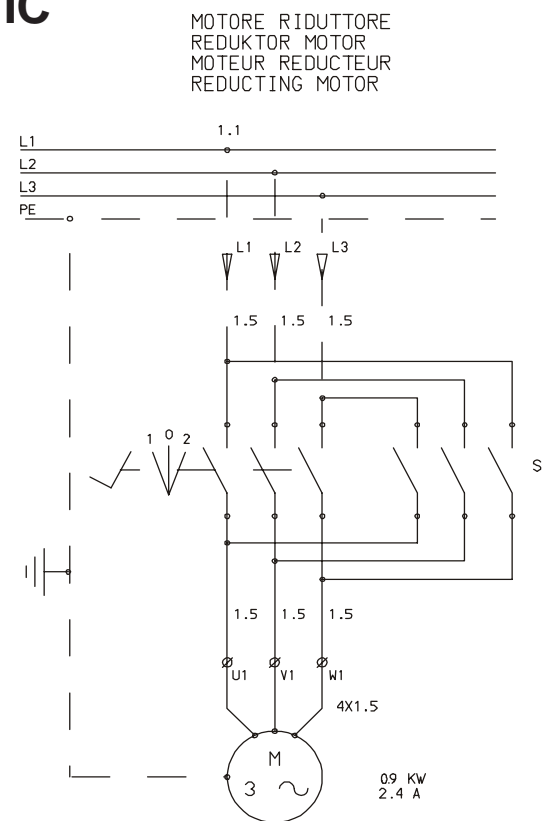
**4028228**  
(PROTRUDING SPOKE RIMS) **4028229**

10/2003

187-m-October-07

| POS. | SIGLA<br>TYP.<br>REF.                  | Q.TA'<br>STÜCK<br>O.TE'<br>Q.TY | DENOMINAZIONE<br>BENENNUNG<br>DESCRIPTION  | SIGLA E NORMA<br>TYP- UND NORMENBEZEICHNUNG<br>REF. ET NORMATIVE<br>REF. AND NORM | PRODUTTORE/FORNITORE<br>HERSTELLER/LIEFERANT<br>PRODUCTEUR/FOURNISS.<br>PRODUCER /SUPPLIER |
|------|--|---------------------------------|--|---|--|
| 1.1  | S1                                     | 1                               | INVERTITORE TRIPOLARE<br>DRIEPOOLIGE WENDEGETRIEBE<br>INVERSEUR TRIPOLAIRE<br>TRIPOLAR REVERSE | C108GIS   | BRETER   |
| 1.1  | M                                      | 1                               | MOTORE ELETTRICO<br>ELEKTRISCHEN MOTOR<br>MOTEUR ELECTRIQUE<br>ELECTRIC MOTOR                  | GS2823/001  | ELPRDM   |
| Nr.  | MODIFICA AENDERUNG MODIFICATION CHANGE |                                 |  | DATA DATUM<br>DATE  | NOPIE NAME   |

## 2 SPEED PNEUMATIC VERSION ONLY

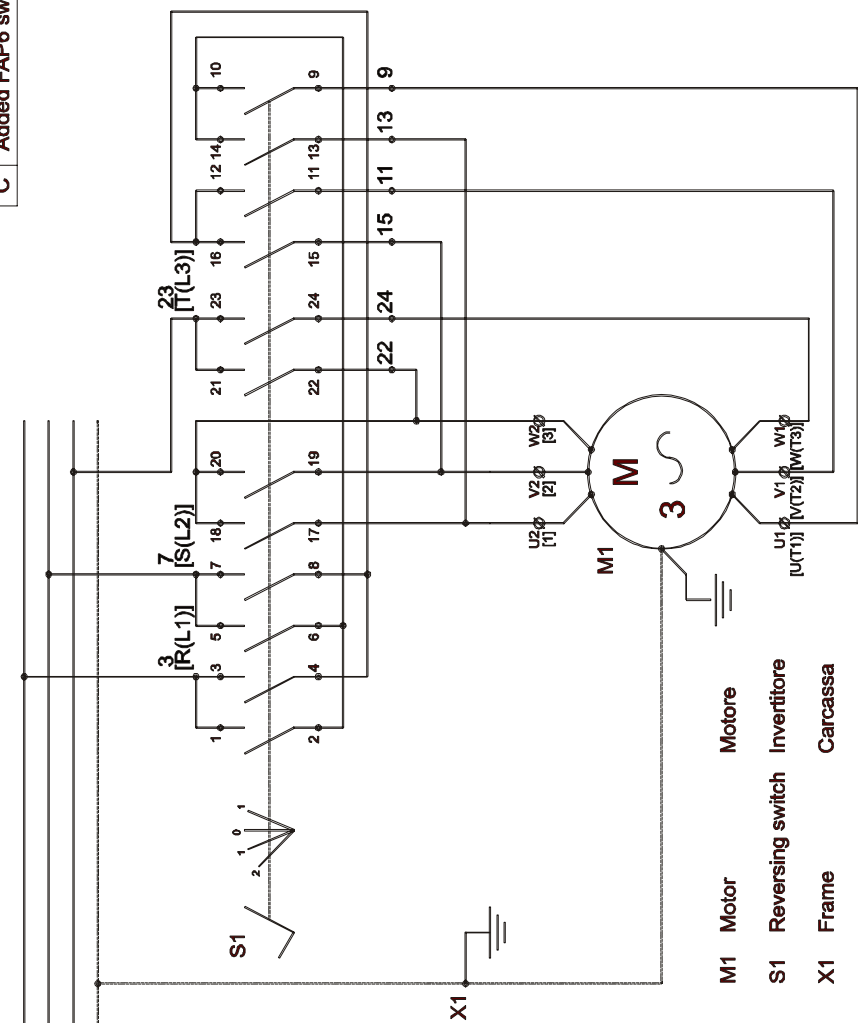


|   |                        |   |   |                                       |                         |  |
|---|------------------------|---|---|---------------------------------------|-------------------------|--|
| COSTRUITO IN<br>FABRIQUE EN                                     | FABRIKAT IN<br>MADE IN | FIRMA GEZ.<br>SIGNATURE                       | CLIENTE BESTELLER<br>CLIENT CUSTOMER  | GRUPPO<br>GRUPPE<br>GROUPE<br>GROUP   | PAGINA<br>BLATT<br>PAGE | Nr. PAGINE<br>V. BLATT<br>Nr. DE PAGES<br>Nr. OF PAGES |
| ITALY   |                        | BARIGAZZI                                     |   |                                       | 1                       | 1  |
| TIPO TYP<br>MODELE MODEL  |                        | DATA DATUM DATE                               | Nr. ORDINE AUFTRAG-Nr.<br>COMMANDE Nr. P.D.NUMBER   |                                       |                         |  |
|   |                        | A22   | 2004/03/26  |                                       |                         |  |
| CODICE MACCHINA<br>INVENTAR Nr.<br>MACHINE REF.<br>CODE MACHINE |                        | VISTO<br>GEPRÜFT<br>CONTROLE PAR<br>TESTED BY | SHEMA ELETTRICO SMONTAGOMME<br>SCHEMA ELEKTRISCHEN REIFENMONTIERMASCHINE<br>SCHEMA ELECTRIQUE DEMONTE-PNEUS<br>ELECTRIC SCHEME FOR TIRE CHANGER | CODICE Nr. ZEICHNUNGS Nr.<br>CODE Nr. |                         |  |
|   |                        |   |   | FAMIGLIA<br>824                       |                         | 0029867  |



187-m-October--07

|                            |                             |                     |               |      |      |
|----------------------------|-----------------------------|---------------------|---------------|------|------|
| EWWH603AWD<br>SHEET 1 OF 1 |                             | CHANGES - MODIFICHE |               | REV  | NAME |
| A                          | Production release          | 2005.10.20          | N. Castagnoli | DATE | NAME |
| B                          | Added alternative numbering | 2007.05.17          | N. Castagnoli |      |      |
| C                          | Added FAP6 switch table     | 2007.07.04          | N. Castagnoli |      |      |

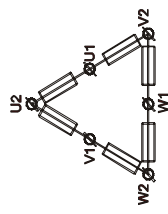


|       |       |       |       |       |       |       |      |     |     |     |
|-------|-------|-------|-------|-------|-------|-------|------|-----|-----|-----|
| 23-24 | 21-22 | 19-20 | 17-18 | 15-16 | 13-14 | 11-12 | 9-10 | 7-8 | 5-6 | 1-2 |
| 6     | 5     | 4     | 3     | 2     | 1     |       |      |     |     |     |

|     |     |     |     |      |       |       |       |       |       |
|-----|-----|-----|-----|------|-------|-------|-------|-------|-------|
| 1-2 | 3-4 | 5-6 | 7-8 | 9-10 | 11-12 | 13-14 | 15-16 | 17-18 | 19-20 |
| 1   | 2   | 3   | 4   | 5    |       |       |       |       |       |

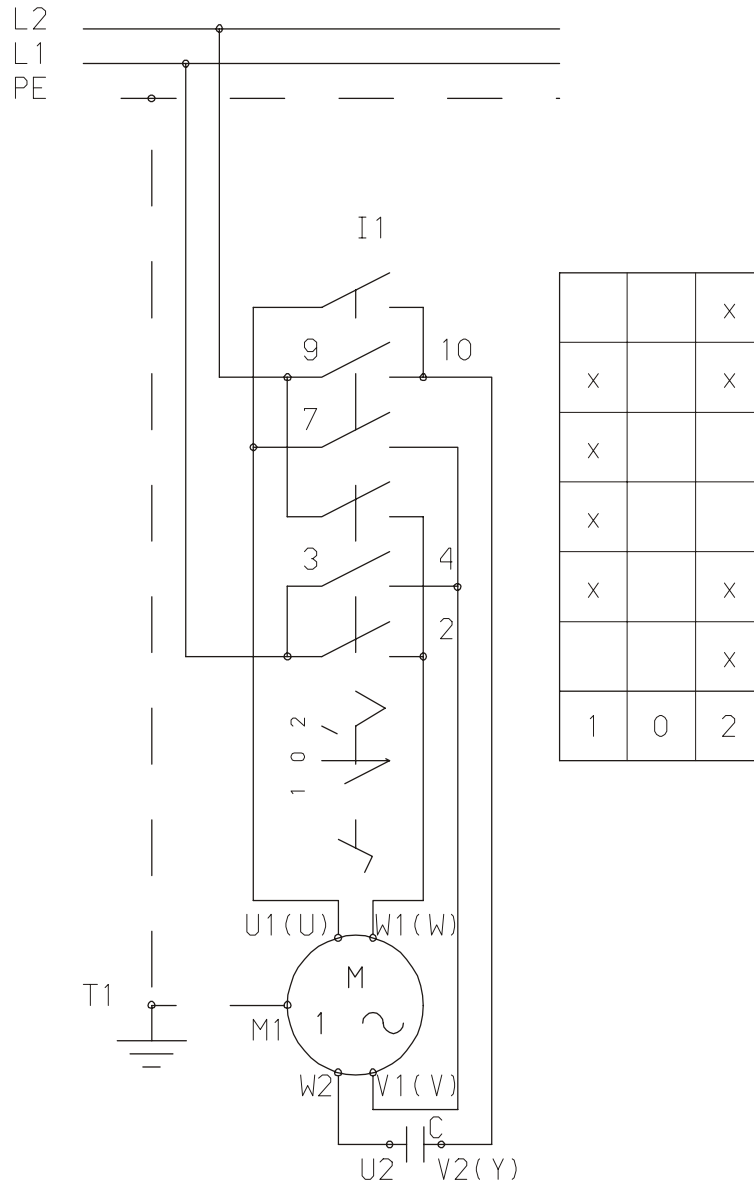
**FAP6**  
Switch table  
Tabella invertitore



Motor windings diagram  
Schema avvolgimenti motore

[Alternative numbering]

|   |                      |                        |                     |
|---|----------------------|------------------------|---------------------|
| DENOMINAZIONE:<br>SCHEMA ELETTRICO SMONTAGGIONE 2 VELOCITA  |                      | FAMIGLIA:<br>824       | COD. GS:<br>0031427 |
| THE DATA, DRAWINGS, AND INFORMATION CONTAINED IN THIS DOCUMENT IS CONFIDENTIAL AND THE SOLE PROPERTY OF SNAP-ON, AND MAY NOT BE REPRODUCED, USED, OR DISCLOSED WITHOUT WRITTEN PERMISSION OF AN OFFICER OF SNAP-ON. COPYRIGHT |                      |                        |                     |
| UNLESS OTHERWISE SPECIFIED DIMENSIONS ARE IN MILLIMETERS GENERAL TOLERANCES   |                      | MATERIAL               |                     |
| OVER 0.5 TO 6.0 ± 0.1   | 0.5 TO 6.0 ± 0.1     | CORREGGIO, ITALY       |                     |
| OVER 6.0 TO 30 ± 0.2  | OVER 30 TO 120 ± 0.3 | 2 SPEED                |                     |
| OVER 120 TO 100 ± 0.5   | HOLE ± 0.1           | TYRE CHANGER           |                     |
| HOLES ± 0.1   | SHEET METAL ± 0.5    | WIRING DIAGRAM         |                     |
| SURFACE: ISO 1302   |                      | RELEASE                | REV C               |
|   |                      | APP                    | EWWH603AWD          |
|   |                      | QUALITY DOC            | N/A                 |
|   |                      | SUPERCEDES             | N/A                 |
|   |                      | FIRST ANGLE PROJECTION |                     |
| REV   | PCN HISTORY          |                        |                     |
| C   | 07G0099              |                        |                     |
| B   | 07G0077              |                        |                     |
| A   | 05G0205              |                        |                     |



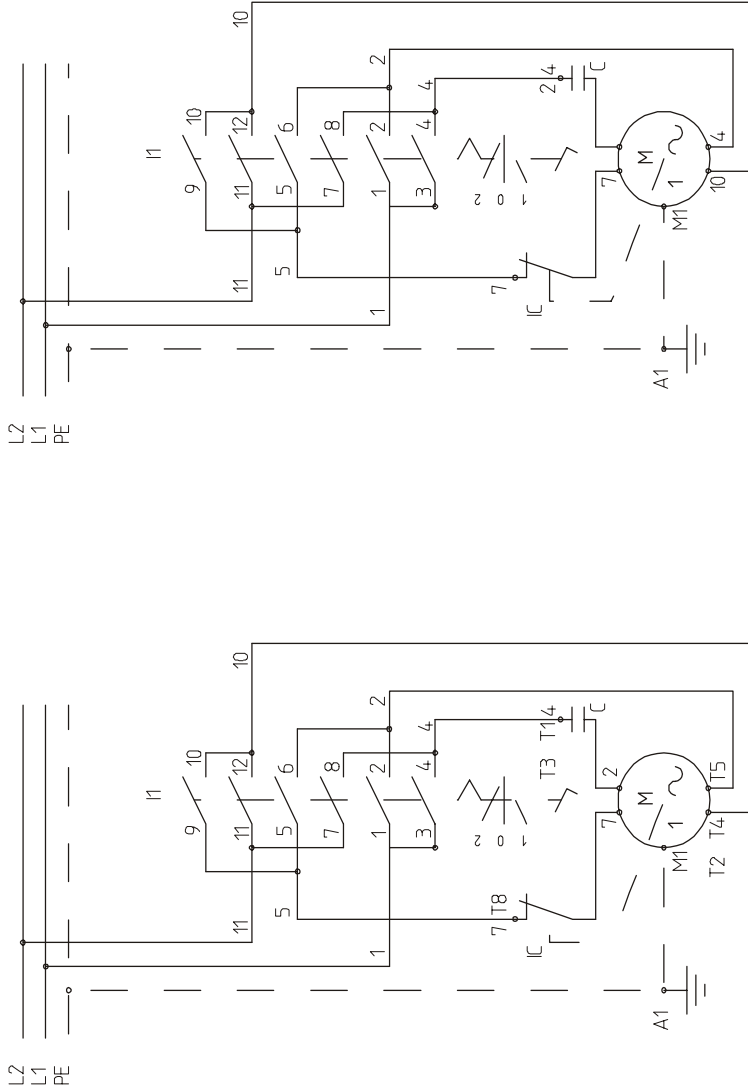
|    |              |              |                  |               |
|----|--------------|--------------|------------------|---------------|
| C  | condensatore | condensateur | capacitor        | Kondensator   |
| I1 | invertitore  | inverseur    | reversing switch | Wendeschalter |
| M1 | motore       | moteur       | motor            | Motor         |
| T1 | carcassa     | chassis      | frame            | Gehaeuse      |

|   |  |   |  |
|---|--|---|--|
| 1   | AGGIUNTO CONDENSATORE                      | 16-06-92  | N.C.   |
| Nr.   | MODIFICA AENDERUNG MODIFICATION CHANGE     | DATA DATUM DATE                                   | NOME NAME  |
| FAMIGLIA<br><br>824   | FIRMA GEZ. SIGNATURE<br><br>N.C.           | CLIENTE BESTELLER<br>CLIENT CUSTOMER              | GRUPPO GRUPPE GROUPE GROUP<br><br>PAGINA BLATT PAGE<br>1     |
| TIPO TYP<br>MODELE MODEL<br><br>EKO                             | DATA DATUM DATE<br><br>13-07-88            | Nr. ORDINE AUFTRAG-Nr.<br>COMMANDE Nr. P.D.NUMBER | Nr. PAGINE V. BLATT<br>Nr. DE PAGES<br>Nr. OF PAGES<br><br>1 |
| CODICE MACCHINA<br>INVENTAR Nr.<br>MACHINE REF.<br>CODE MACHINE | VISTO GEPRUFT<br>CONTROLE PAR<br>TESTED BY | SCHEMA ELETTRICO<br>SMONTAGOMME MONOFASE          | CODICE Nr. ZEICHNUNGS Nr.<br>CODE Nr.<br><br>0009017         |

187-m-October-07



187-m-October--07



|   |       |  |  |  |   |     |
|---|-------|--|--|--|---|-----|
| 3 | 9-10  |  |  |  |   |     |
| 2 | 11-12 |  |  |  |   |     |
| 1 | 5-6   |  |  |  |   |     |
|   | 7-8   |  |  |  |   |     |
|   | 1-2   |  |  |  |   |     |
|   | 3-4   |  |  |  |   |     |
|   |       |  |  |  | 1 | 0 2 |

SCHEMA COLLEGAMENTO INVERTITORE  
 SCHEMA DE CONNECTION DE L'INVERSEUR  
 INVERTER CONNECTION DIAGRAM  
 WENDEGETRIEBE ANSCHLUSSPLAN

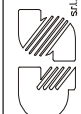
MOTORE LEESSON  
 MOTEUR LEESSON  
 MOTOR LEESSON  
 MOTOR LEESSON

MOTORE AO SMITH  
 MOTEUR AO SMITH  
 MOTOR AO SMITH  
 MOTOR AO SMITH

T ALLACCIAMENTO MORSETTIERA MOTORE  
 T CONNECTION DES ETALUX DU MOTEUR  
 T MOTOR TERMINAL BOARD CONNECTION  
 T MOTOR - KLEMMENBRETT ANSCHLUSS  
 C CONDENSATORE CONDENSATEUR  
 IC INT. CENTRIFUGO INT. CENTRIFUGE  
 I1 INVERTITORE INVERSEUR  
 M1 MOTORE MOTEUR  
 A1 CARCASSA CHASSIS

CAPACITOR  
 SPINNING SWITCH  
 REVERSING SWITCH  
 MOTOR  
 FRAME

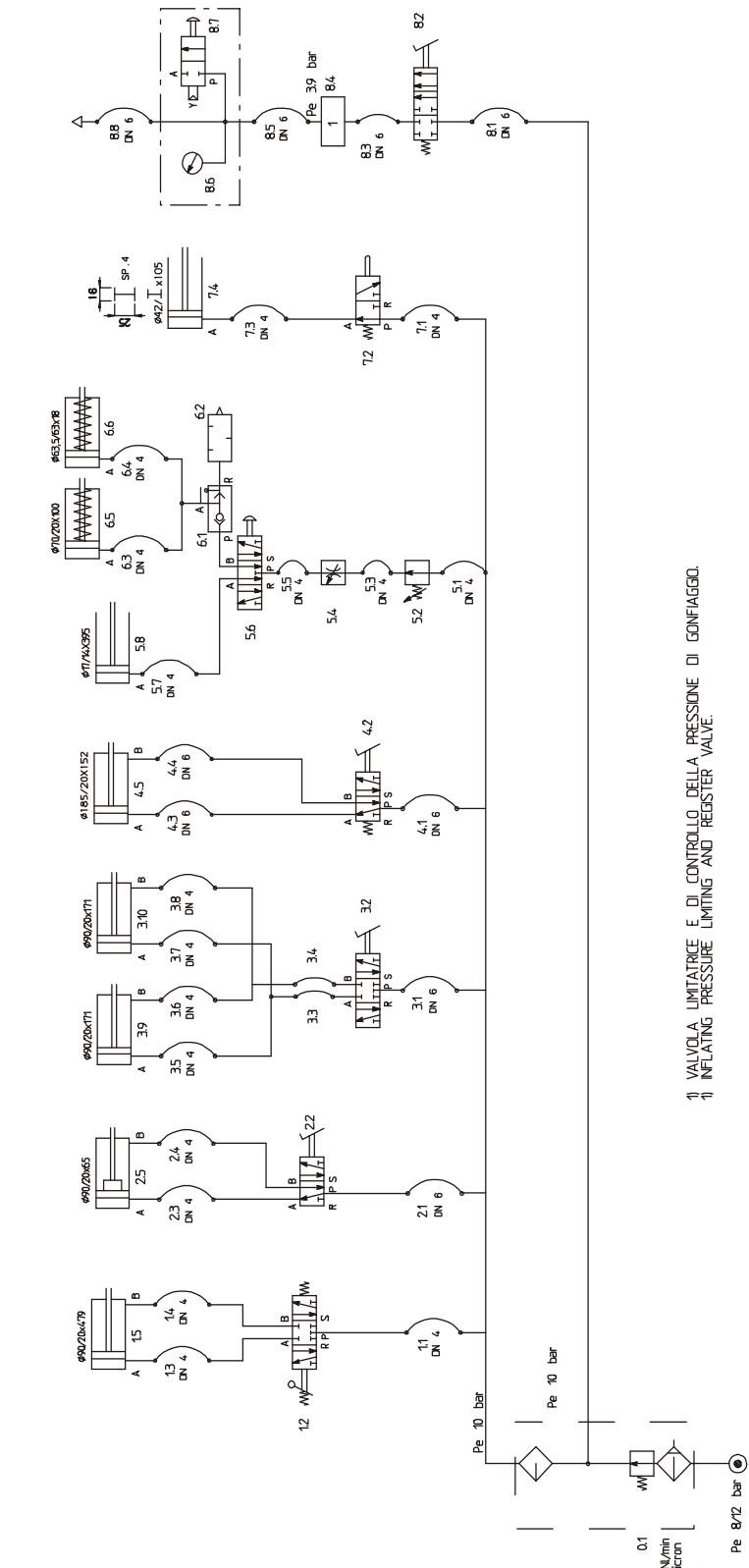
KONDENSATOR  
 SCHLEUDERSCHALTER  
 WENDESCHALTER  
 MOTOR  
 GEHAUSE

| MATERIALE  | STATO MATERIALE                 | DIMENSIONI                                  | TRATTAMENTI                    | HRC   |
|--|---------------------------------|---|--------------------------------|-------|
| TOLLERANZE QUOTE LIBERE<br>JS 14 - js 14   | SWISSI E NON GI QUOTATI: 0.5 mm | DISEGNATORE DATA FUSARI 1999-05-13          | SOSTITUISCE IL N. DEL 02-11-92 | HB Sh |
| ORIGINE:   | VISTO DIR. TECNICO:             | SCALA                                       | SOSTITUITO DAL N.              | REV.  |
|  | DESCRIZIONE                     | COD. SWAP-ON                                |                                |       |
|  | FAMIGLIA 824                    | DENOMINAZIONE                               | DIS. N.                        |       |
|  | PROGETTO 3400                   | SCHEMA ELETTRICO MOTORE MONDIFASE AMERICANO | 0014449                        |       |

MODIFICA: 4 AGGIUNTO SCHEMA PER MOTORE LEESSON / FL  
 21 AGGIUNTO SCHEMA PER MOTORE LEESSON / PRATIZOLI



- 0 GRUPPO FILTRO  
FILTER GROUP
- 1 ATTREZZO SONTAGGIO (M)  
TOOL FOR DEMOUNTING (M)
- 2 REALTAVILE  
BASE TILTING
- 3 BLOCCAGGIO CERCHI  
BLOCCAGE MANTEN  
LOCKING W/MS
- 4 STALLONATORE  
BEAD BREAKER
- 5 POSIZIONE UTENSILE  
POSITION OF TOOL
- 6 BLOCCAGGIO BRACCIO  
BLOCCAGE BRAS  
ARM LOCKING
- 7 VARIATORE VELOCITA'  
VARIABLE SPEEDER
- 8 PINZA GONFIAGGIO  
INFLATING GAUGE



1) VALVOLA LIMITATRICE E DI CONTROLLO DELLA PRESSIONE DI GONFIAGGIO.  
1) INFLATING PRESSURE LIMITING AND REGISTER VALVE

|   |  |  |  |                                      |
|---|--|--|--|--------------------------------------|
| 1) REPLACED NOTE. SOSTITUITA NOTA. 2004/11/29 | FIRMA GEZ.<br>SIGNATURE  | CLIENTE BESTELLER<br>CLIENT CUSTOMER   | PAGINA<br>BLATT<br>PAGE                | N° PAGINE<br>V. BLATT<br>N° DE PAGES |
| 2) ADDED NOTE. AGGIUNTA NOTA. 2005/09/05      | MIROTTI  |  | 1                                      | 2                                    |
|   | DATA DATUM DATE  | NC - ORDINE<br>COMMANDE N° - P.D. NUMBER   | CODICE N° - ZEICHNUNGS N° -<br>CODE N° |                                      |
|   | 2004/05/13   |  | 824                                    |                                      |
|   | TIPO TYP<br>MODELLE MODEL  | SHEMA PNEUMATICO TC 26'<br>SCHEMA PNEUMATISCHEN TC 26'<br>PNEUMATIQUE SCHEMA TC 26'<br>PNEUMATIC SCHEME TC 26' | FAMIGLIA<br>824                        |                                      |
|   | JEG T6000  |  |  |                                      |
|   | CODICE MACCHINA<br>INVENTAR N° -<br>MACHINE REF.<br>CODE MACHINE |  |  |                                      |
|   | DATA DATUM DATE  | NOVE NAME  |  |                                      |
|   | MODIFICA AENDERUNG<br>MODIFICATION CHANGE                        |  |  |                                      |

187-m-October-07



187-m-October--07

| POS.                             | QTA.<br>QTY<br>STRUCK      | DEMONIAZIONE<br>BENENNUNG<br>DESCRIPTION   | SGLA. E NORMA<br>TYPE- UND NORMENBEZEICHNUNG<br>REF. AND NORRY | F+LUB+MANT/4' | PRODOTTORE/FORNITORE<br>HERSTELLER/LIEFERANT<br>PRODUCER/SUPPLIER | CONSTRUITO IN<br>FABRIQUE EN | FABRIKAT IN<br>MADE IN | FIRMA GEZ.<br>SIGNATURE | CLIENTE BESTELLER<br>CLIENT CUSTOMER | SCHEMA<br>TYPE- UND NORMENBEZEICHNUNG<br>REF. AND NORRY | GRUPPO<br>GRUPPE<br>GROUP | PAGINA<br>BLATT<br>PAGE | N° PAGINE<br>N° BLATT<br>N° DE PAGES |
|----------------------------------|----------------------------|--|--|---------------|---|------------------------------|------------------------|-------------------------|--------------------------------------|---|---------------------------|-------------------------|--------------------------------------|
| 56                               | 1                          | VALVOLA A 5 VIE<br>FUNFSEITIGE VENTIL<br>VANNE A 5 VOIES<br>FIVEWAY VALVE                                    | GS   |               |   |                              |                        |                         |                                      |   |                           |                         |                                      |
| 54                               | 1                          | REGOLATORE DI PORTATA<br>FLOW CONTROL VALVE<br>REGULATEUR DE DEBIT<br>GESCHALTETES STROMREGELVENTIL          | CAMOZZI<br>AZ PNEUMATICA                                       |               |   |                              |                        |                         |                                      |   |                           |                         |                                      |
| 52                               | 1                          | REDUKTOR<br>REDUCTEUR  | STAMPOTECNICA  |               |   |                              |                        |                         |                                      |   |                           |                         |                                      |
| 51<br>53<br>55<br>57             | 1<br>1<br>1<br>1           | TUBO FLESSIBILE<br>SCHLAUCH<br>TUYAU FLEXIBLE<br>FLEXIBLE TUBE   | MAZZER MAT. PLASTICHE  |               |   |                              |                        |                         |                                      |   |                           |                         |                                      |
| 45                               | 1                          | CILINDRO A DOPPIO EFFETTO<br>DOPPELTWIRKENDER ZYLINDER<br>VENTIL A DOUBLE EFFET<br>CYLINDER AT DOUBLE EFFECT | GS   |               |   |                              |                        |                         |                                      |   |                           |                         |                                      |
| 42                               | 1                          | VALVOLA A 5 VIE<br>FUNFSEITIGE VENTIL<br>VANNE A 5 VOIES<br>FIVEWAY VALVE                                    | GS   |               |   |                              |                        |                         |                                      |   |                           |                         |                                      |
| 41<br>42<br>44                   | 1<br>1<br>1                | TUBO FLESSIBILE<br>SCHLAUCH<br>TUYAU FLEXIBLE<br>FLEXIBLE TUBE   | MAZZER MAT. PLASTICHE  |               |   |                              |                        |                         |                                      |   |                           |                         |                                      |
| 39<br>30                         | 1<br>1                     | CILINDRO A DOPPIO EFFETTO<br>DOPPELTWIRKENDER ZYLINDER<br>VENTIL A DOUBLE EFFET<br>CYLINDER AT DOUBLE EFFECT | GS   |               |   |                              |                        |                         |                                      |   |                           |                         |                                      |
| 32                               | 1                          | VALVOLA A 5 VIE<br>FUNFSEITIGE VENTIL<br>VANNE A 5 VOIES<br>FIVEWAY VALVE                                    | GS   |               |   |                              |                        |                         |                                      |   |                           |                         |                                      |
| 31<br>32<br>33<br>34<br>37<br>38 | 1<br>1<br>1<br>1<br>1<br>1 | TUBO FLESSIBILE<br>SCHLAUCH<br>TUYAU FLEXIBLE<br>FLEXIBLE TUBE   | MAZZER MAT. PLASTICHE  |               |   |                              |                        |                         |                                      |   |                           |                         |                                      |
| 25                               | 1                          | CILINDRO A DOPPIO EFFETTO<br>DOPPELTWIRKENDER ZYLINDER<br>VENTIL A DOUBLE EFFET<br>CYLINDER AT DOUBLE EFFECT | GS   |               |   |                              |                        |                         |                                      |   |                           |                         |                                      |
| 22                               | 1                          | VALVOLA A 5 VIE<br>FUNFSEITIGE VENTIL<br>VANNE A 5 VOIES<br>FIVEWAY VALVE                                    | GS   |               |   |                              |                        |                         |                                      |   |                           |                         |                                      |
| 21<br>23<br>24                   | 1<br>1<br>1                | TUBO FLESSIBILE<br>SCHLAUCH<br>TUYAU FLEXIBLE<br>FLEXIBLE TUBE   | MAZZER MAT. PLASTICHE  |               |   |                              |                        |                         |                                      |   |                           |                         |                                      |
| 15                               | 1                          | CILINDRO A DOPPIO EFFETTO<br>DOPPELTWIRKENDER ZYLINDER<br>VENTIL A DOUBLE EFFET<br>CYLINDER AT DOUBLE EFFECT | GS   |               |   |                              |                        |                         |                                      |   |                           |                         |                                      |
| 12                               | 1                          | VALVOLA A 5 VE<br>FUNFSEITIGE VENTIL<br>VANNE A 5 VOIES<br>FIVEWAY VALVE                                     | AZ PNEUMATICA  |               |   |                              |                        |                         |                                      |   |                           |                         |                                      |
| 11<br>13<br>14                   | 1<br>1<br>1                | TUBO FLESSIBILE<br>SCHLAUCH<br>TUYAU FLEXIBLE<br>FLEXIBLE TUBE   | MAZZER MAT. PLASTICHE  |               |   |                              |                        |                         |                                      |   |                           |                         |                                      |
| 01                               | 1                          | FILTRO-REDUTTORE-UBRIFICATORE<br>FILTER-REDUCTEUR-SCHMIERENVOHRICHTUNG<br>FILTER-REDUCER-LUBRIFICATOR        | STAMPOTECNICA  |               |   |                              |                        |                         |                                      |   |                           |                         |                                      |

1) REPLACED NOTE: SOSTITUITA NOTA. 2004/11/29  
2) ADDED NOTE: AGGIUNTA NOTA. 2005/09/05 MARIANI

MODIF ICA AENDERUNG MODIFICATION CHANGE

DATA DATE

NOTE NAME

TIPO MODEL

IBEG T6000

CONSTRUITO IN

FABRIQUE EN

ITALY

DATA DATUM DATE

2004/05/13

TESTED BY

LISTA COMPONENTI PNEUMATICI

TESTED BY

CONTROL PAR

TESTED BY

LISTE BESTANDTEILE PNEUMATISCHEN

TESTED BY

CONTROL PAR

TESTED BY

LISTE COMPOSANTS PNEUMATIQUES

TESTED BY

CONTROL PAR

TESTED BY

LIST OF PNEUMATIC COMPONENTS

TESTED BY

CONTROL PAR

TESTED BY

LIST OF PNEUMATIC COMPONENTS

TESTED BY

CONTROL PAR

TESTED BY

LIST OF PNEUMATIC COMPONENTS

TESTED BY

CONTROL PAR

TESTED BY

LIST OF PNEUMATIC COMPONENTS

TESTED BY

CONTROL PAR

TESTED BY

LIST OF PNEUMATIC COMPONENTS

TESTED BY

CONTROL PAR

TESTED BY

LIST OF PNEUMATIC COMPONENTS

TESTED BY

CONTROL PAR

TESTED BY

LIST OF PNEUMATIC COMPONENTS

TESTED BY

CONTROL PAR

TESTED BY

LIST OF PNEUMATIC COMPONENTS

TESTED BY

CONTROL PAR

TESTED BY

LIST OF PNEUMATIC COMPONENTS

TESTED BY

CONTROL PAR

TESTED BY

LIST OF PNEUMATIC COMPONENTS

TESTED BY

CONTROL PAR

TESTED BY

LIST OF PNEUMATIC COMPONENTS

TESTED BY

CONTROL PAR

TESTED BY

LIST OF PNEUMATIC COMPONENTS

TESTED BY

CONTROL PAR

TESTED BY

LIST OF PNEUMATIC COMPONENTS

TESTED BY

CONTROL PAR

TESTED BY

LIST OF PNEUMATIC COMPONENTS

TESTED BY

CONTROL PAR

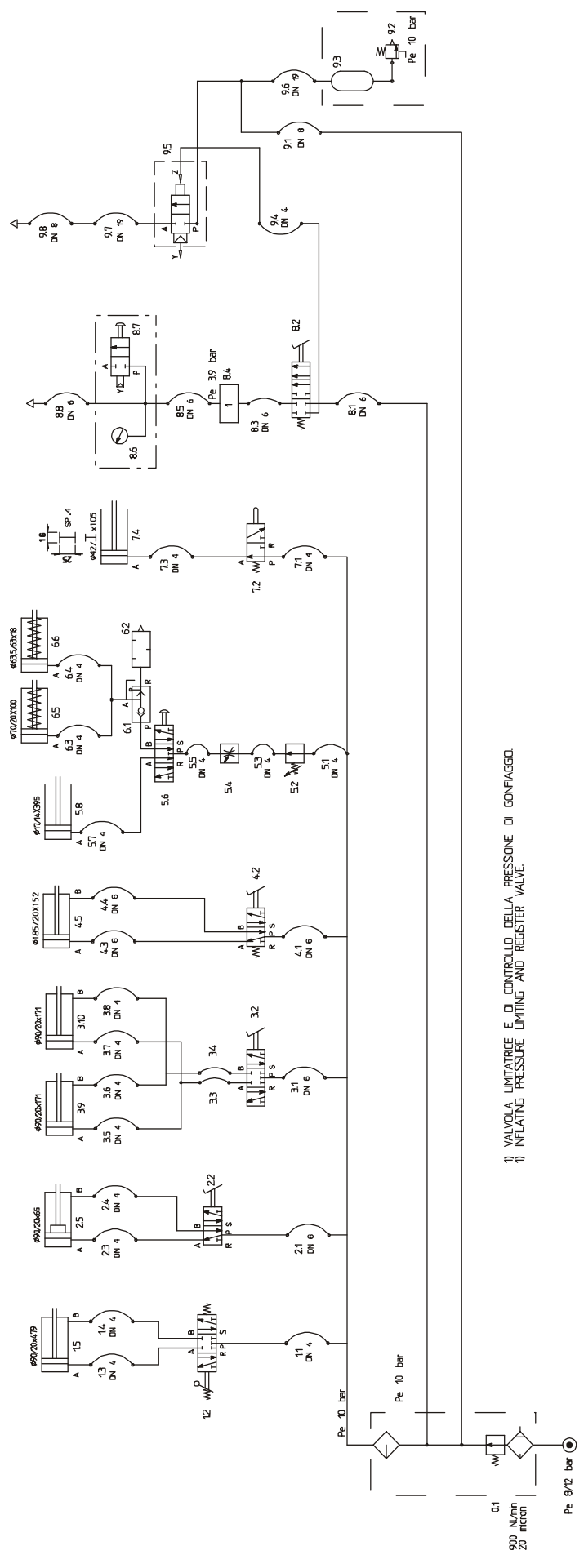
TESTED BY

LIST OF PNEUMATIC COMPONENTS



OPTIONAL

- 0 GRUPPO FILTRO  
FILTER GROUP
- 1 ATTREZZO SOSTITUIBILI  
REPLACEMENT TOOLS  
SUBSTITUTABLE EQUIPMENT
- 2 REALTAVOLE  
OPERATING TABLE
- 3 BLOCCAGGIO CERCHI  
BLOCKING WHEELS
- 4 STALLONATORE  
ADJUSTING SHAFT
- 5 POSIZIONE LITENSILE  
MECHANISM POSITIONING
- 6 BLOCCAGGIO BRACCIO  
BLOCKING ARM
- 7 VARIATORE VELOCITA'  
SPEED VARIATOR
- 8 PIZA GONFIAGGIO  
FLUJOSTILE  
THE GAUGE
- 9 GONFIABELESS  
SCHLAGLOS  
BEAD SEATER



1) VALVOLA LIMITATRICE E DI CONTROLLO DELLA PRESSIONE DI GONFIAGGIO.  
1) INFLATING PRESSURE LIMITING AND REGISTER VALVE.

|     |                                    |                     |                 |                      |            |                                    |                   |   |  |         |
|-----|------------------------------------|---------------------|-----------------|----------------------|------------|------------------------------------|-------------------|---|--|---------|
| 1)  | REPLACED NOTE: SOSTITUISIUNA NOTA. | 2004/11/16          | MARIANI         | FIRMA GEZ. SIGNATURE | MARIANI    | CLIENTE BESTELLER CLIENT CUSTOMER  | GRUPPO BLATT PAGE | 1 | Nr. PAGINE V. BLATT PAGES Nr. OF PAGES | 2       |
| 2)  | ADDED NOTE: AGGIUNTA NOTA.         | 2005/09/01          | MARIANI         | DATA DATUM DATE      | 2004/11/13 | Nr. ORDINE AUFTRAG-Nr. P.D. NUMBER |                   |   |  |         |
| Nr. | MODIFICA AENDERUNG                 | MODIFICATION CHANGE | DATA DATUM DATE | NOVE NAME            |            |                                    |                   |   | CODICE Nr. ZEICHNUNGS Nr. CODE         | 0030757 |
|     |                                    |                     |                 |                      |            |                                    |                   |   | FAMIGLIA CODE                          | 824     |

187-m-October-07







## U P D A T I N G      G U I D E

### MODIFIED / CHANGED PARTS Regarding Revision B of April 2005

List of updated/added tables from this revision:

|        |        |       |
|--------|--------|-------|
| 1486   | 1410.a | 992.a |
| 1486.a | 1410.b | 992.b |

### MODIFIED / CHANGED PARTS Regarding Revision C of September 2005

List of updated/added tables from this revision:

|        |        |        |      |        |       |        |
|--------|--------|--------|------|--------|-------|--------|
| 1485   | 1409.a | 1487   | 1488 | 1816.a | 357.a | 1085.a |
| 1485.a | 1409.c | 1520   | 1517 | 1503   | 1501  | 1085.b |
| 1416   | 1304.a | =      | =    |        |       |        |
| 1416.a | 1526   | 1000.a | 1001 |        |       |        |

### MODIFY Regarding Revision D of November 2005

The variations have to be considered in comparison to the Spare Parts:  
TEEWH529A3 Rev. C September 2005

|                  |             |             |                       |                       |             |
|------------------|-------------|-------------|-----------------------|-----------------------|-------------|
| Replaced         | 1503        | 1526        | 0030757               | 0030805               | 0029867     |
| Added            | 1503.a      | 1526.a      | 0030757 <sub>.2</sub> | 0030805 <sub>.2</sub> | EEWH603AWD  |
| affected by PCN: | PCN:05G0188 | PCN:05G0170 | -                     | -                     | PCN:05G0205 |

### MODIFY Regarding Revision E of May 2006

|                  |        |      |         |         |         |         |
|------------------|--------|------|---------|---------|---------|---------|
| Replaced         | =      | =    | 1503.a  | 1501    | 822.e   | =       |
| Added            | 1487.a | 1488 | 1503.b  | 1501.b  | 822.d   | 0029867 |
| affected by PCN: | -      | -    | 06G0031 | 06G0031 | 06G0030 | -       |

### MODIFY Regarding Revision F of July 2006

|                  |         |
|------------------|---------|
| Replaced         | 1485.a  |
| Added            | 1485.b  |
| affected by PCN: | 06G0071 |

### MODIFY Regarding Revision G of September 2006

|                  |         |
|------------------|---------|
| Replaced         | 1409.e  |
| Added            | 1409.d  |
| affected by PCN: | 06G0093 |

### MODIFY Regarding Revision G1 of October 2006

|                  |                           |
|------------------|---------------------------|
| Replaced         |                           |
| Updated          | 1409.d                    |
| affected by PCN: | Uncorrected code replaced |

From **Revision H:** April 2007

TABLE **1485.c** replace TABLE 1485.b according to PCN 06G0176 / 06G0181 on PAGE 4

From **Revision I:** May 2007

TABLE **1485.d** replace TABLE 1485.c according to PCN 07G0041 / 07G0006 on PAGE 4



From **Revision L:** August 2007  
Diagram **EEWH603AWD\_C** replaces **EEWH603AWD\_A** according to PCN 06G0099 on PAGE 27

From **Revision M:** October 2007  
TABLE **1520.a** replaces *TABLE 1520* according to PCN 06G0075 on PAGE 9

187-m-October--07



®

FRANCE  
**Snap-On Equipment France**  
**Z.A. Du Vert Galant**  
**15, rue de la Guivernone**  
**BP 7175**  
**95310 Saint Ouen L'Aumone**  
**Tel: (33) 1-3448-5878**  
**Fax: (33) 1-3448-5879**

UNITED KINGDOM  
**UK Equipment Ltd.**  
**part of Snap-On Inc.**  
**48 Sutton Park Avenue,**  
**Reading,**  
**Brkshire, RG6 1AZ**  
**Tel. 0118 929 6826**  
**Fax: 0118 966 4369**

**JBC GERMANY**  
Snap-on Equipment GmbH  
Geschäftsbereich John Bean  
Werner-von-Siemens-Str. 2  
D-63419 Pfungstadt  
Deutschland  
Tel: +49 (0) 6157 12 600  
Fax: +49 (0) 6157 12 601  
Website: [www.johnbean.de](http://www.johnbean.de)

LATIN AMERICA-FAR EAST  
**International Equipment**  
**Group**  
**309 Exchange Avenue**  
**Conway, Arkansas 72032**  
**Tel.: (501) 450-1568**  
**Fax: (501) 450-2086**

**Manufacturing Facility**  
**Snap-on Equipment S.r.L.**  
Via Provinciale per Carpi 33,  
42015 Correggio (R.E.), Italy  
Tel. ++39 (0)522 733480  
Fax: ++39 (0)522 733479

**Notice:** The information contained in this document is subject to change without notice. **John Bean** makes no warranty with regard to this material. **John Bean** shall not be liable for errors contained herein or for incidental consequential damages in connection with furnishings, performance, or use of this material.

This document contains proprietary information which is protected by copyright and patents. All rights are reserved. No part of this document may be photocopied, reproduced, or translated without prior written consent of **John Bean**.



is a registered trademark of John Bean and Snap-on Incorporated.