



(BLANK PAGE)

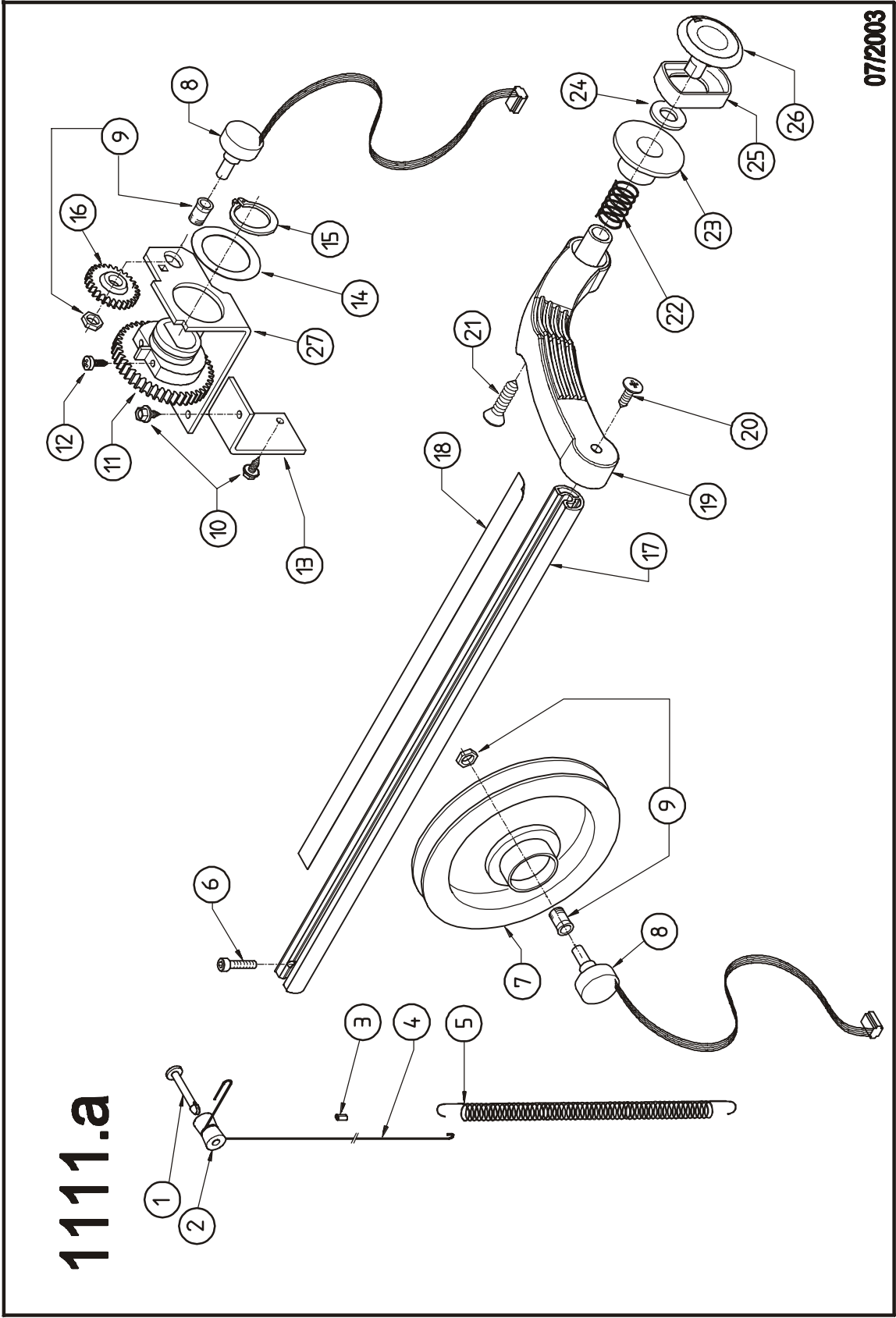


100-1-November-06

(BLANK PAGE)



SEMI AUTOMATIC PARAMETER ENTRY (SAPE) ASSEMBLY



100-I-November-06



- SEMI AUTOMATIC PARAMETER ENTRY (SAPE) ASSEMBLY
- NOTE -

BOLD CODES MEANS SUGGESTED SPARE PARTS

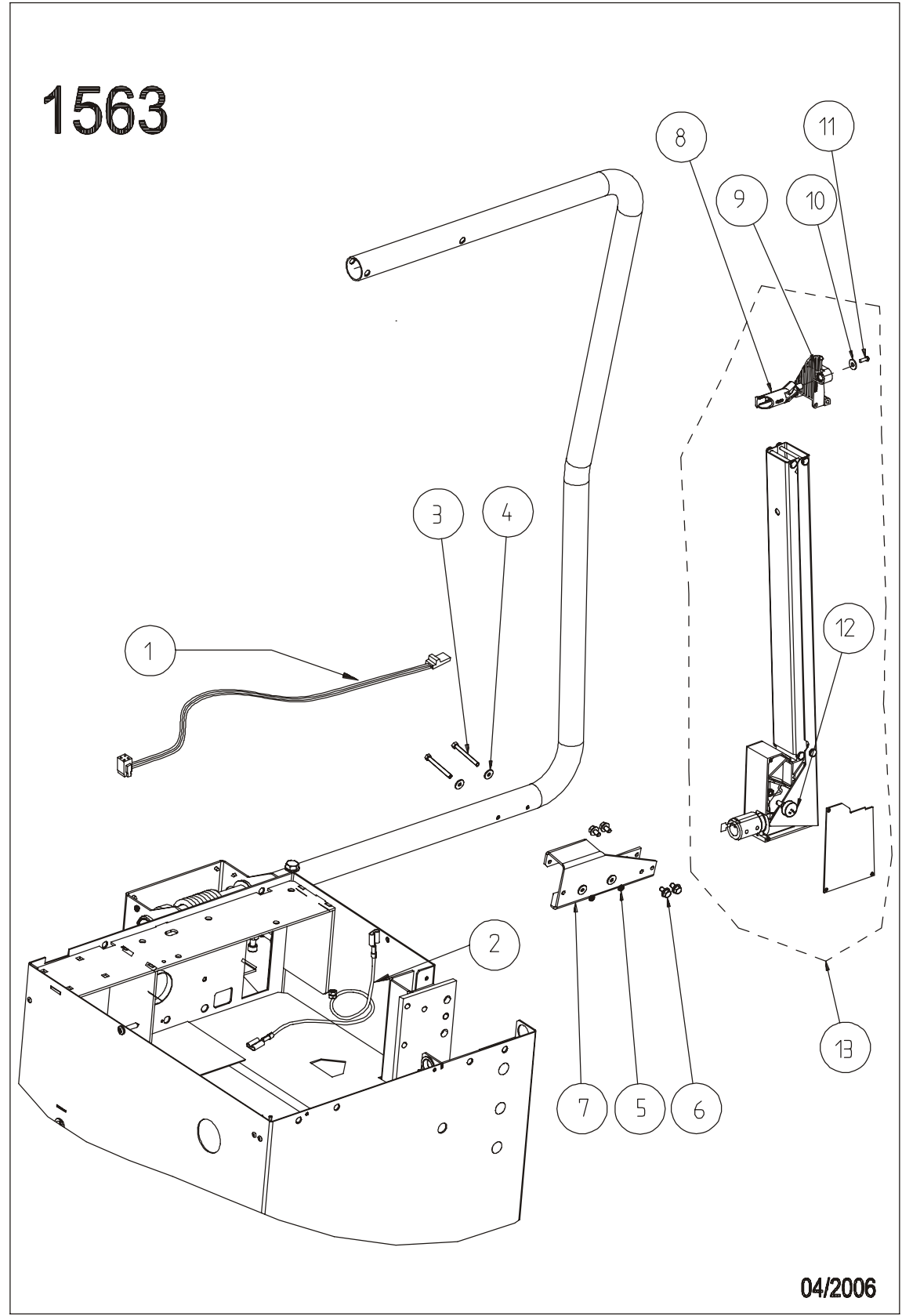


Item	Part Number	Description	Qty
1	8-1940	PIN PUSHIN NYLON 165X1062	1
2	EAM0005D35A	GUIDING REEL SAPE	1
3	2-07557A	SLEEVE COMPRESSION OVAL B948	1
4	6-00404A	ROPE HEMINGWAY DYNEEMA TYP40	1.1mt
5	1-03267A	TENSION SPRING 149X4X063	1
6	1-13609	SCREW TCEI 4X16 8.8	1
7	EAC0058D06A	REEL ROPE 290mm	1
8	EAA0266D20A	ROTATIVE TRANSDUCER 100HM	2
9	2-07657A	CLAMPING DEVICE W/NUT	2
10	1-3824	SCREW M6X12	1
11	EAC0058D12A	COG WHEEL 56 THOOTH	1
12	1-3724	SCREW SELF-TAPPING M5X10	2
13	EAS2041G54A	2D SAPE STILL BRACKET	1
14	1-07162A	WASHER-STEEL 28X40X0.5	1
15	1-13377A	RETAINING RING FOR SHAFTS	1
16	EAC0058D13A	COG WHEEL 26 TOOTH	1
17	EAM005D37A	ROD M1	1
18	EAL0345D01A	MEASURE TAPE 1D SAPE	1
19	EAC0054P01A	ARM AXCEL CALIPER	1
20	1-09326A	SCREW SELFTHR.PLAST. D4X12	1
21	1-3624	SCREW POLYPLAST PP82 H5X40	1
22	1-06868A	SPRING COMPRESSION	1
23	EAC0058D10A	RING PUSH	1
24	1-10141A1	WASHER P. D.10	2
25	EAC0058D09A	REGISTER EJECTION	1
26	EAC0058D11A	TOUCHING DISK RAL 9005	1
27	EAS2041G52A	2D SAPE ADJUST BRACKET	1

100-1-November-06



• RIM-WIDTH MEASURE SYSTEM



100-I-November-06

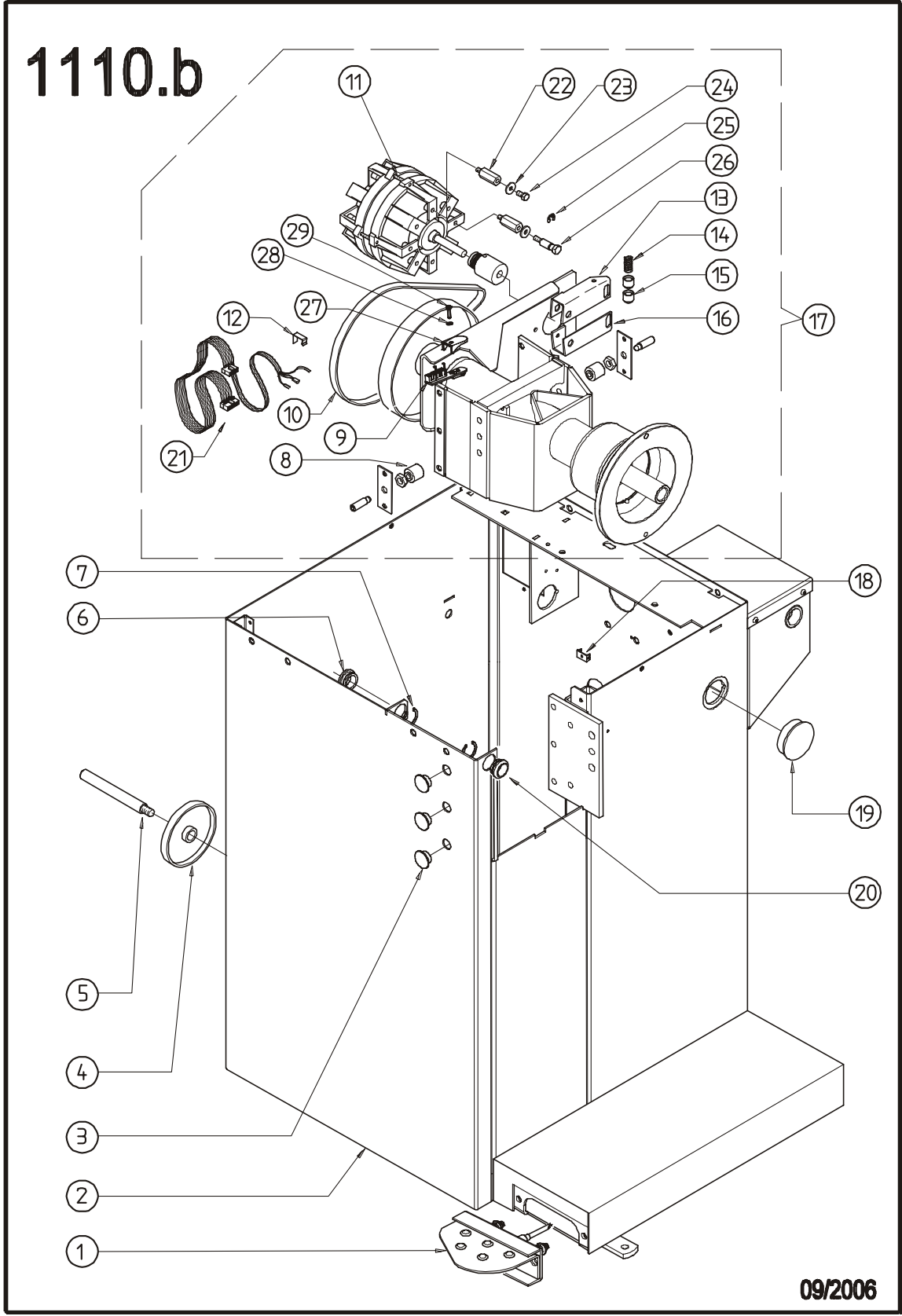


- RIM-WIDTH MEASURE SYSTEM

Item	Part Number	Description	Qty
1	EAW0239D19A	INTERNAL CABLE 3D-SAPE	1
2	EAW0240G07A	DIG.BOX GROUNDING CABLE	1
3	1-29801	SCREW,HEXAG.M5X50 A2J DIN 933	2
4	1-23641A	WASHER 5X15X1.5	4
5	1-18233A	NUT,SELF LOCK. ALL-METAL M5 A2J	2
6	1-07024A	Screw-Self-TappHexH+Washer M6x10	4
7	EAS2058D21A	3D SAPE SUPPORT RAL 9005	1
8	EAC0058D33A	CALIPER FINGER	1
9	EAC0058D32A	CALIPER HEAD	1
10	1-19341A	WHASHER-D 5X16X1	1
11	1-09326A	SCREW, SPECIAL	1
12	EAA0266D24A	3D POTENTIOMETER WITH CABLE	1
13	EAA0338G07A	STANDARDIZED 3D SAPE	1



- M1-A CABINET ASSEMBLY (b9460 ONLY)



100-I-November-06

09/2006



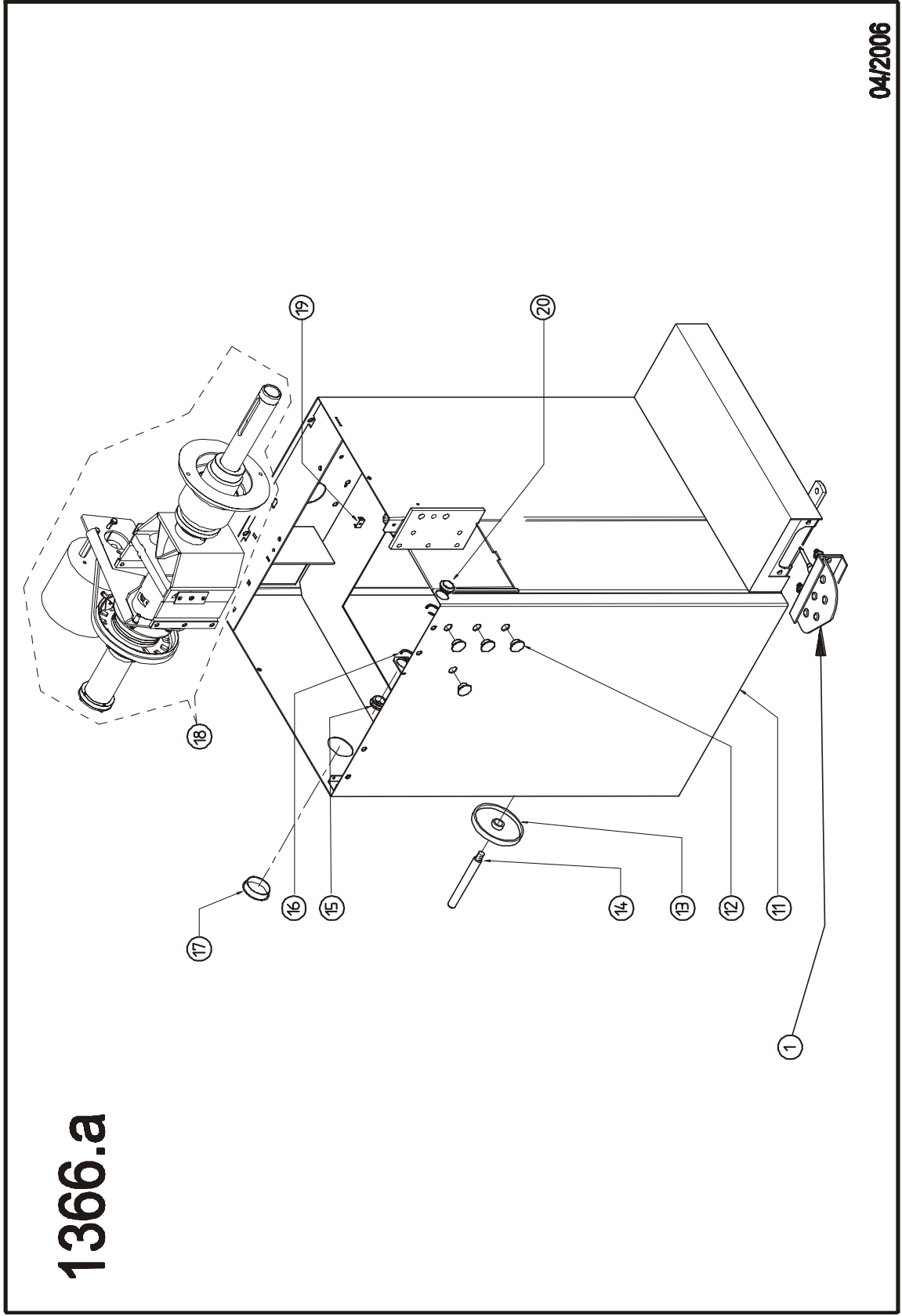
- **M1-A CABINET ASSEMBLY (b9460 ONLY)**

Item	Part Number	Description	Qty
1	EAA0263G07A	JBEG BRAKE PEDAL GROUP	1
2	EAS2027G63A	CABINET M1-A	1
3	EAC0060G00A	PLUG ASSY-MEASUREMENT	3
4	EAC0060G02A	FLANGE COVER	4
5	EAM0006G01A	HOOK ACCESSORY STORAGE	4
6	EAM0005D39A	BUSHING INSIDE SAPE	1
7	1-4577	RING SNAP 25X1.2 DIN471	2
8	EAA0260D59A	TRANSDUCER	2
9	EAA0344G00A	OPTOELECTRONIC UNIT WITH LENSE	1
10	8-3531	MULTIRIB BELT 5PJ711 DIN7867	1
11	2-22066	MOTOR	1
12	EAS2025D12A	FASTENING TEMPERATURE SENSOR	1
13	EAA0260D56A	BRAKE LEVER A CPL.	1
14	1-6668	COMPRESSION SPRING	1
15	EAM0005D18A	SPACER	2
16	EAA0260D57A	BRAKE LEVER B CPL.	1
17	EAA0338G35A	VIBRATOR. MOT.IF D40/28,5 POL. RING	1
18	2-23201	TERMINAL, PLUG	1
19	1-3176	DOME HOLE PLUG	1
20	EAM0005D38A	BUSHING OUTSIDE SAPE	1
21	EAW0239D00A	CONNECTION WIRE VIBRATOR	1
22	EAM0005D09A	MOTOR DISTANCE BOLT	4
23	1-16641	WASHER PLAIN	4
24	1-30701A	SCREW TW 6X12 8G	2
25	1-13177	CIRCLIP D.9	2
26	EAM0005D10A	BOLT SW13	2
27	EAC0087G54A	ENCODER BOARD PROTECTION	1
28	1-9641	PLAIN WASHER	1
29	1-13404A	SCREW - PHMS,M4X16 4.8 A2J DIN7985	1

100-1-November-06



M1-A CABINET ASSEMBLY (b9460 P ONLY)



04/2006

1366.a

100-I-November-06

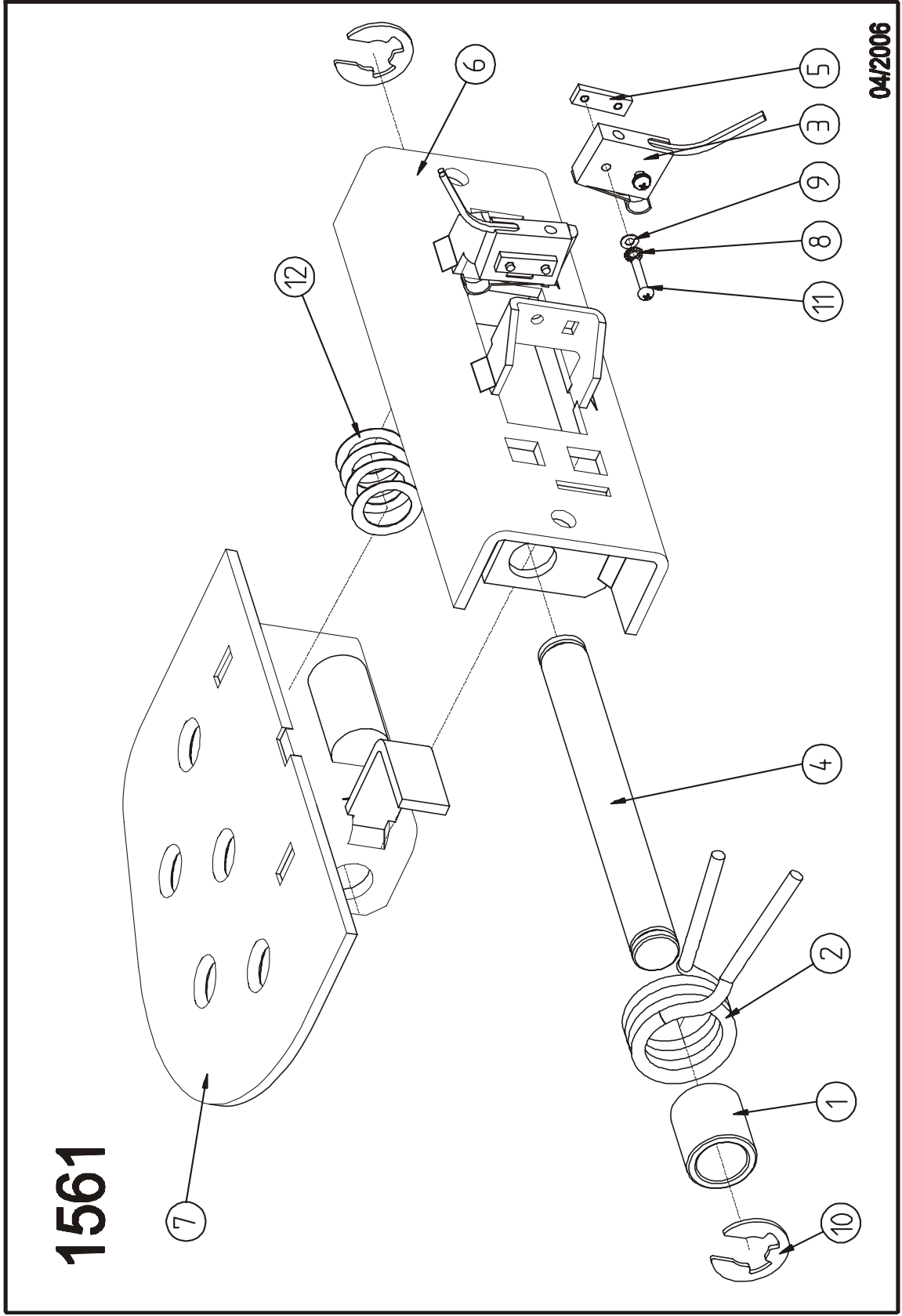


- **M1-A CABINET ASSEMBLY (b9460 P ONLY)**

Item	Part Number	Description	Qty
1	EAA0332G26A	BRAKE PEDAL ASSY	1
2	1-06768A	SPRING, COMPRESSION	2
3	1-10041	WASHER D8 UNI6592-69/DIN125	2
4	1-10033	HEX NUT PREVAILING TORQUE M8	2
5	EAM0006G10A	MICROSWITCH SUPPORT	2
6	2-07661A	MICROSWITCH	2
7	1-9341	WASHER, PLAIN, D2, ZINC	2
8	1-1048	WASHER, EXTERNAL SHAKEPROOF	2
9	1-9904	SCREW, PHILLIPS HEAD M4X16	2
10	EAM0006G11A	MICROSWITCH ACTIVATOR	2
11	EAS2027G63A	CABINET M1-A	1
12	EAC0060G00A	PLUG ASSY-MEASUREMENT	4
13	EAC0060G02A	FLANGE COVER	4
14	EAM0006G01A	HOOK ACCESSORY STORAGE	4
15	EAM0005D39A	BUSHING INSIDE SAPE	1
16	1-4577	RING SNAP 25X1.2 DIN471	2
17	EAC0060G05A	CUP	1
18	EAA0260D18A	POWER CLAMP VIBRATORY SYSTEM	1
19	2-23201	TERMINAL, PLUG	1
20	EAM0005D38A	BUSHING OUTSIDE SAPE	1

100-1-November-06





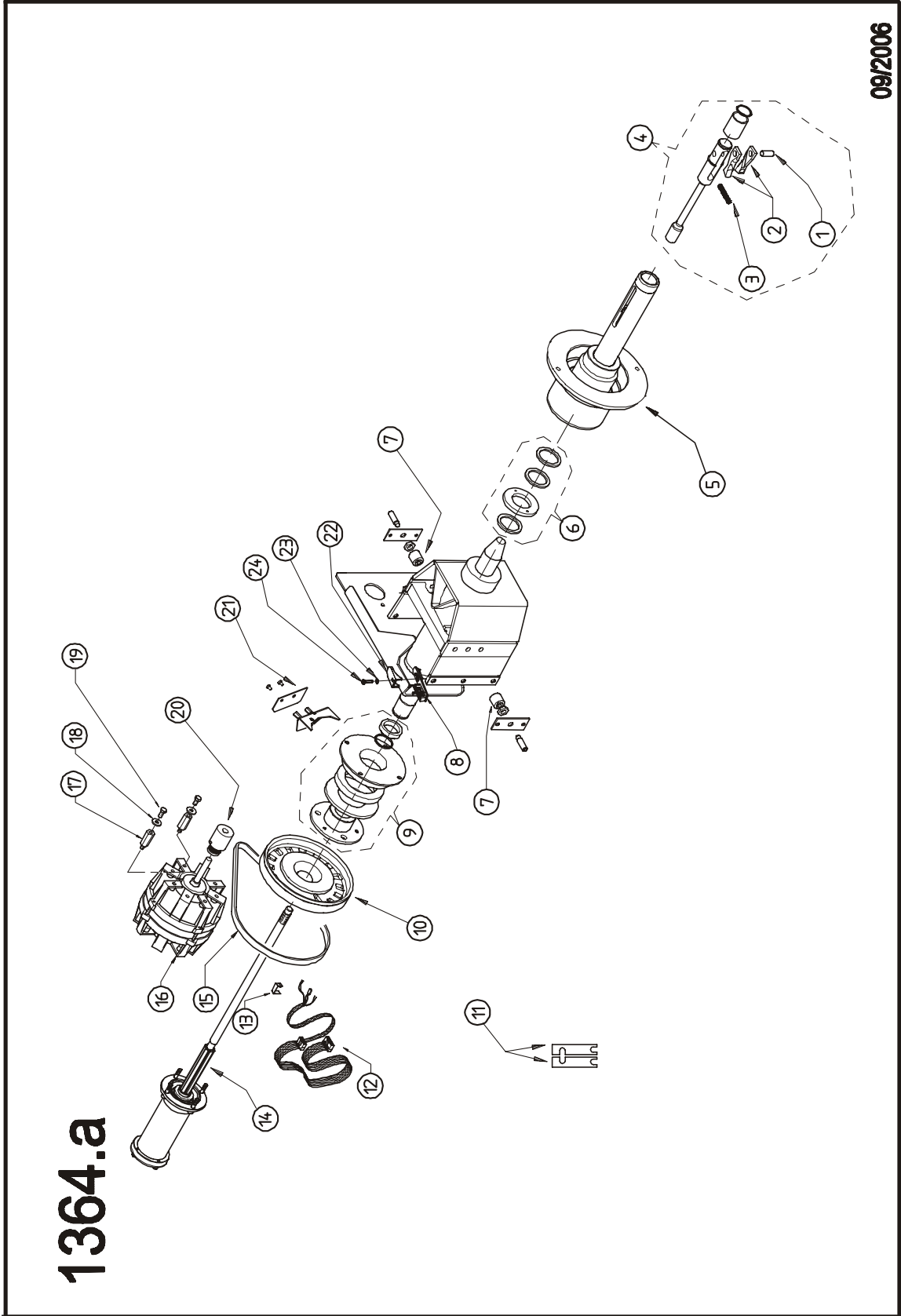
- BRAKE PEDAL**

Item	Part Number	Description	Qty
1	EAM0051G96A	BUSHING CENT. SPRING BR. PEDAL	1
2	EAM0048G78A	SPRING, PEDAL SWITCH	1
3	2-07661A	MICROSWITCH	2
4	EAM0046G39A	PEDAL PIN	1
5	EAM0046G40A	TRHEADED BLOCK	2
6	EAS2090G15A	BRAKE PEDAL SUPPORT	1
7	EAS2089G80A	WELDED PEDAL	1
8	1-1048	WASHER EXTERNAL SHAKEPROOF	4
9	1-9341	WASHER	4
10	1-18477A	RETAINING RING	2
11	1-9804	SCREW, PHILLIPS HEAD	4
12	1-25241A	SHIM RING D.12,2X18X0,3 MM DIN988	4

100-1-November-06



• POWER CLAMP (b9460 P ONLY)



100-I-November-06



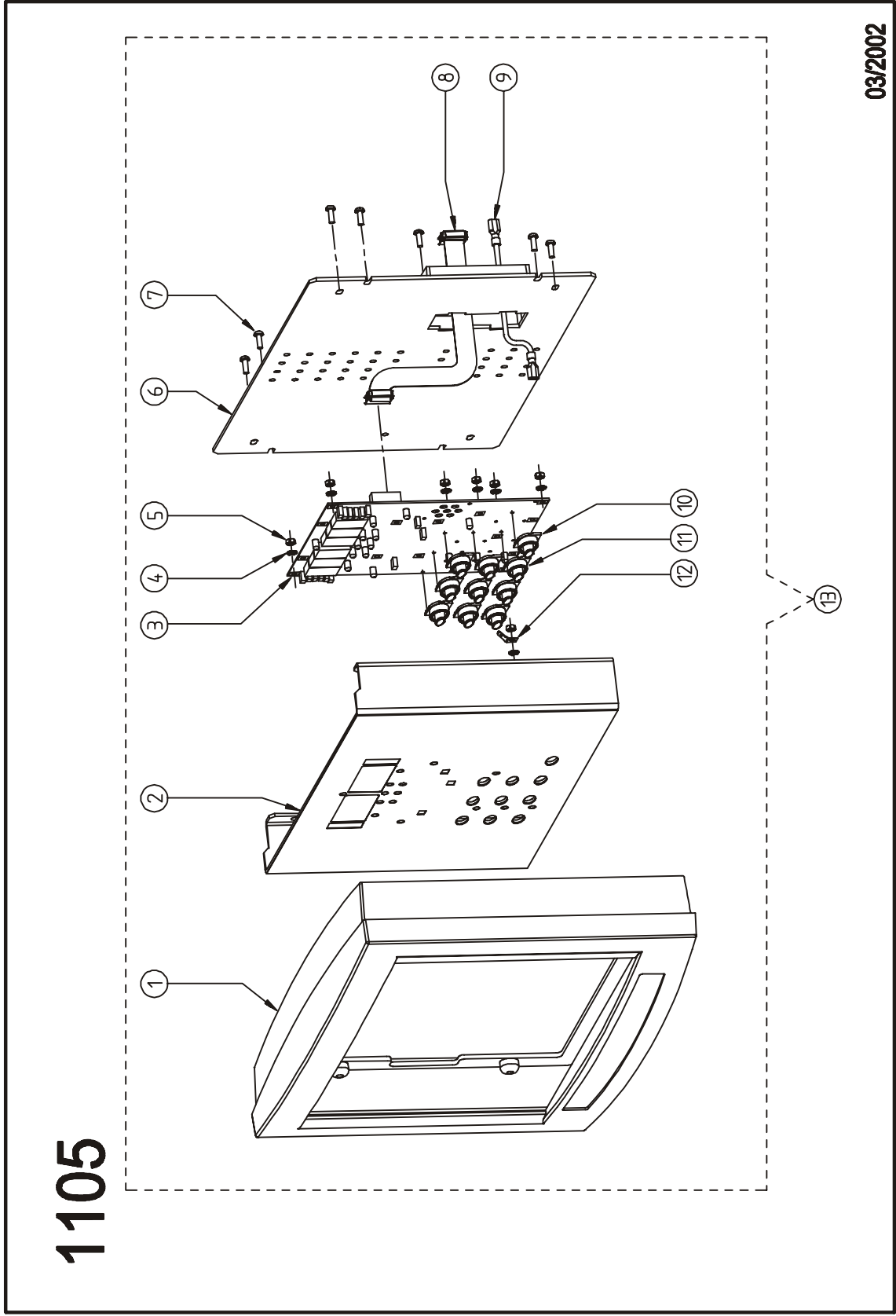
- **POWER CLAMP (b9460 P ONLY)**

Item	Part Number	Description	Qty
1	EAM0021D30A	CILINDRICAL PIN	1
2	EAM0021D32A	TIGHTENING CLAW	2
3	EAM0021D51A	COMPRESSION SPRING	1
4	EAA0283D45A	PULL-SHAFT COMPLETE	1
5	EAA0283D46A	FLANGE FOR POWER CLAMP	1
6	EAA0307G37A	FASTENING MEANS OF BAIONET DISK	1
7	EAA0260D59A	TRANSDUCER	2
8	EAA0344G00A	OPTO-ELEKTRONIC UNIT PLATFORM	1
9	EAA0307G35A	BRAKE DISK REPAIR KIT	1
10	EAM0021D18A	DRIVE PULLEY	1
11	EAK0257G05A	SPACER PLATES FOR BRAKE	1
12	EAW0239D00A	CONNECTION WIRE VIBRATOR	1
13	EAS2025D12A	FASTENING TEMPERATURE SENSOR	1
14	EAA0307G36A	REPLACEMENT KIT	1
15	8-3531	MULTIRIB BELT 5PJ711 DIN7867	1
16	2-22066	MOTOR	1
17	EAM0005D09A	MOTOR DISTANCE BOLT	4
18	1-16641	WASHER PLAIN	4
19	1-30701A	SCREW TW 6X12 8G	4
20	EAM0005D08A	MOTOR PULLEY Y2K	1
21	EAP0201D20A	ENCODER FOR POWER CLAMP	1

100-1-November-06



• USER INTERFACE ASSEMBLY



100-I-November-06



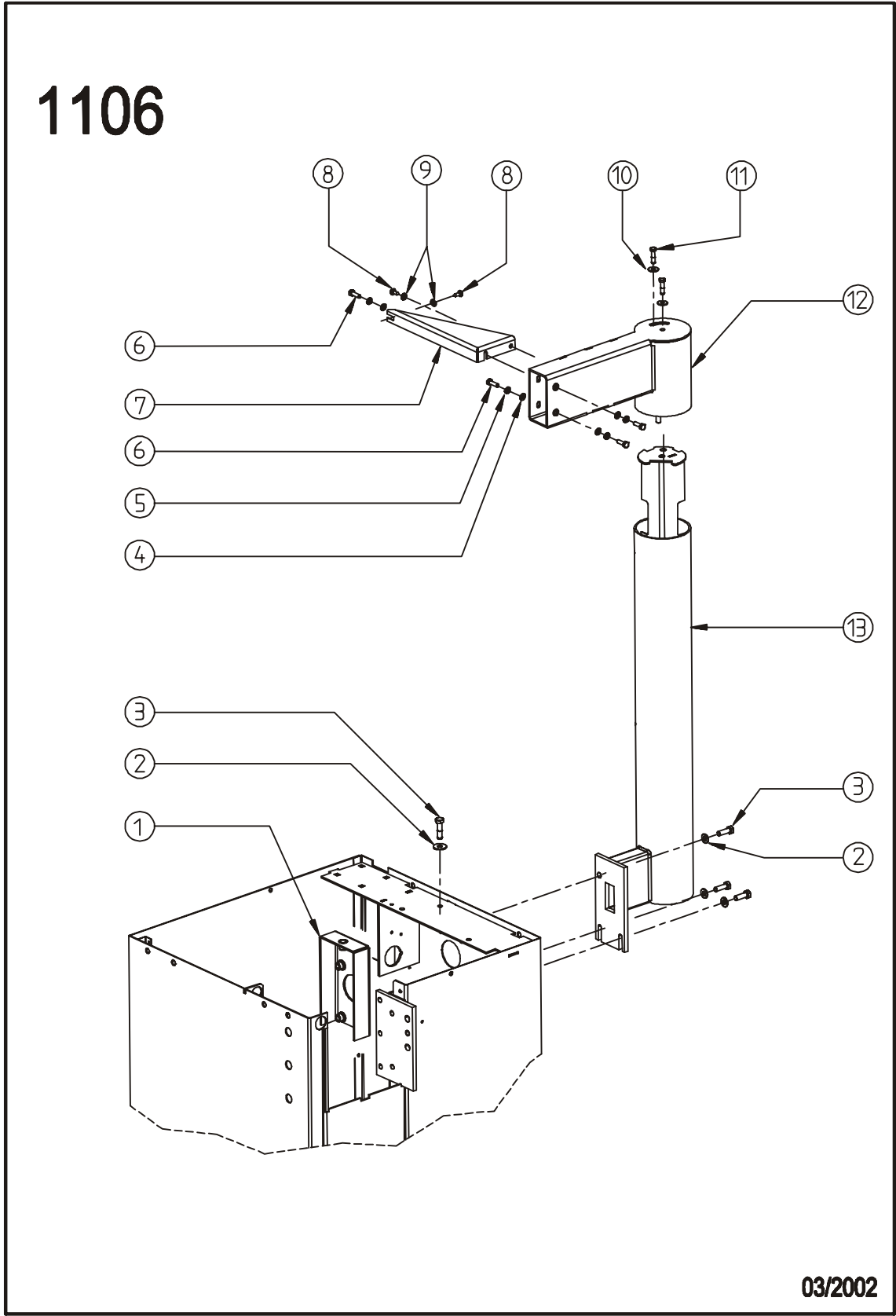
- **USER INTERFACE ASSEMBLY**

Item	Part Number	Description	Qty
1	EAC0060G11A	CONSOLE, DISPLAY, BLACK	1
2	EAA0263G48A	JBEG H/D FRONT PANEL ASSY.	1
3	EAP0192P20A	JBEG DISPLAY	1
4	1-5547	LOCK WASH M4	8
5	1-15833A	NUT M4 BRASS UNI 5588	8
6	EAS2041G18A	GS/JBEG DISPLAY SUPPORT (BLACK)	1
7	1-24606A	SCREW TCB 4X12 4S BR	8
8	EAW0240G10A	RIBBON CABLE DIGITAL DISPLAY	1
9	EAW0240G09A	GROUNDING WIRE, ASSEMBLY	1
10	EAC0054P02A	USER INTERFACE BUTTON (RED)	1
11	EAC0054P06A	USER INTERFACE BUTTON (GREY)	9
12	2-28301A	TERMINAL	1
13	EAA0263G47A	JBEG H/D USER INTERFACE ASSY.	1

100-1-November-06



• DISPLAY SUPPORT HARDWARE



- **DISPLAY SUPPORT HARDWARE**

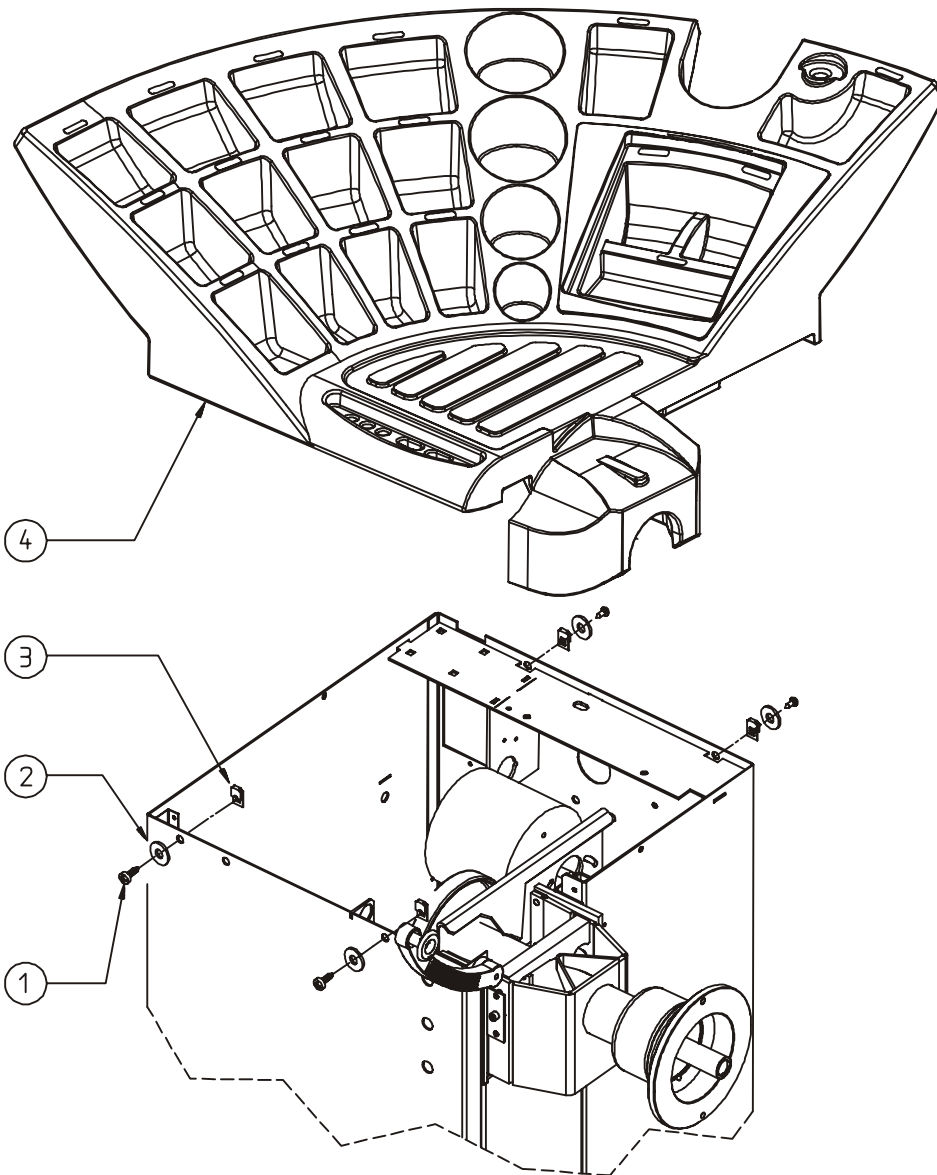
Item	Part Number	Description	Qty
1	EAA0263G20A	DISPLAY TOWER STIFFENING	1
2	1-17841	WASHER-D.8X24	1
3	1-17709	SCREW TCEI 8X20	4
4	1-9841	WASHER D.6	4
5	1-27946	WASHER-GROWER D.6	4
6	1-30901A2	SCREW TE 6X20	4
7	EAS2041G14A	DISPLAY STIFFENING (BLACK)	1
8	1-22323A	SCREW, S/T.PAN, 5.5X15mm BLK	2
9	1-19041A	WASHER 5X16X1	2
10	1-20041A	WASHER-D.6X18	2
11	1-31001A2	SCREW, HEX, TUF-LOK, M6X25	2
12	EAS2041G10A	DISPLAY HORIZ. SUPPORT	1
13	EAA0263G21A	DISPLAY VERTICAL SUPPORT	1

100-1-November-06



• WEIGHT TRAY ASSEMBLY

1108



100-I-November-06

03/2002

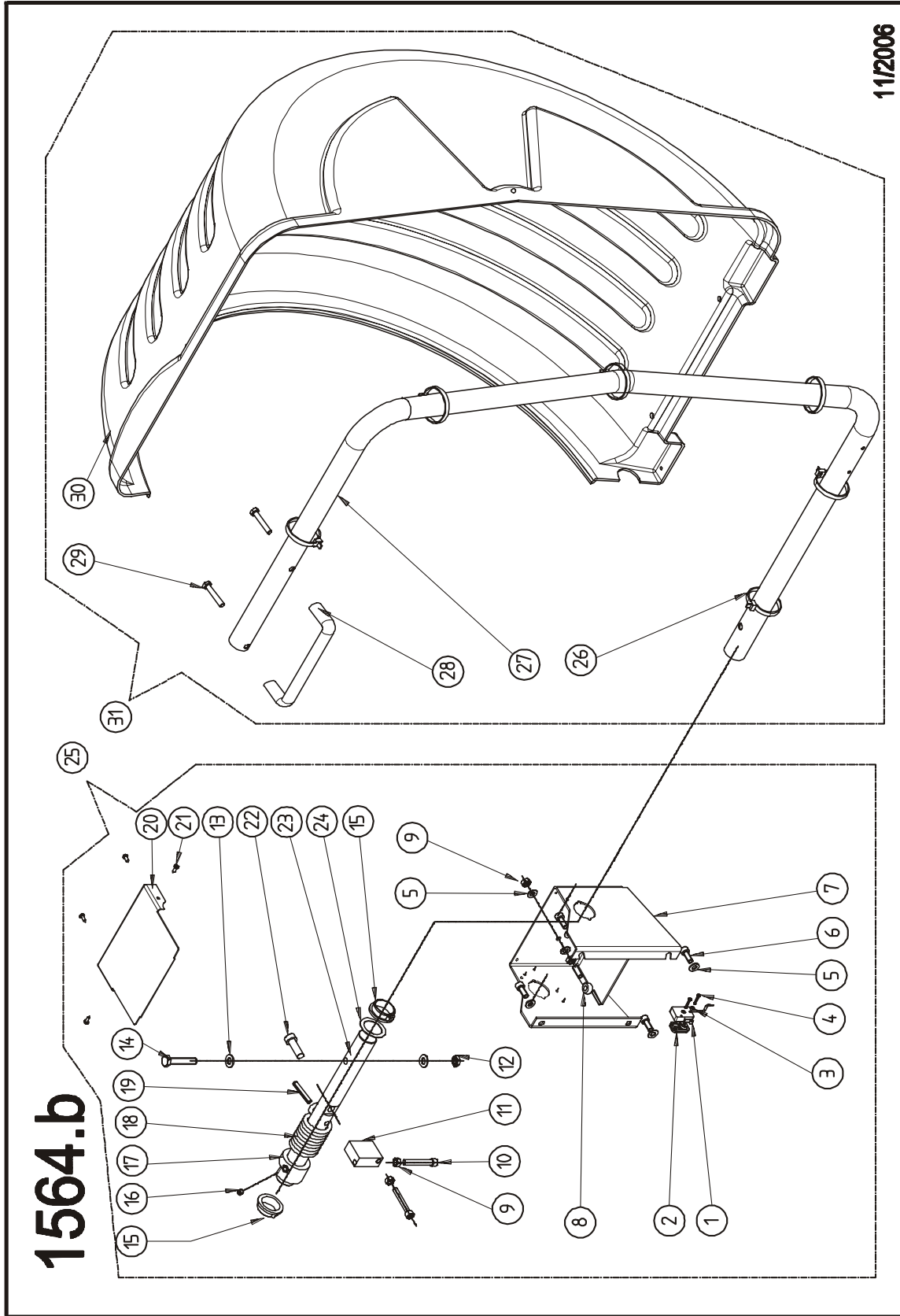


- WEIGHT TRAY ASSEMBLY

Item	Part Number	Description	Qty
1	1-19623A	SCREW SELTAPPING, PHIL HEAD	4
2	1-13241	WASHER D.6	4
3	1-6839	RETAINER, SELF THR. SCREW D.5.5	4
4	EAC0054P11A	BALCO WEIGHT-TRAY H/D	1



• WHEELGUARD ASSEMBLY



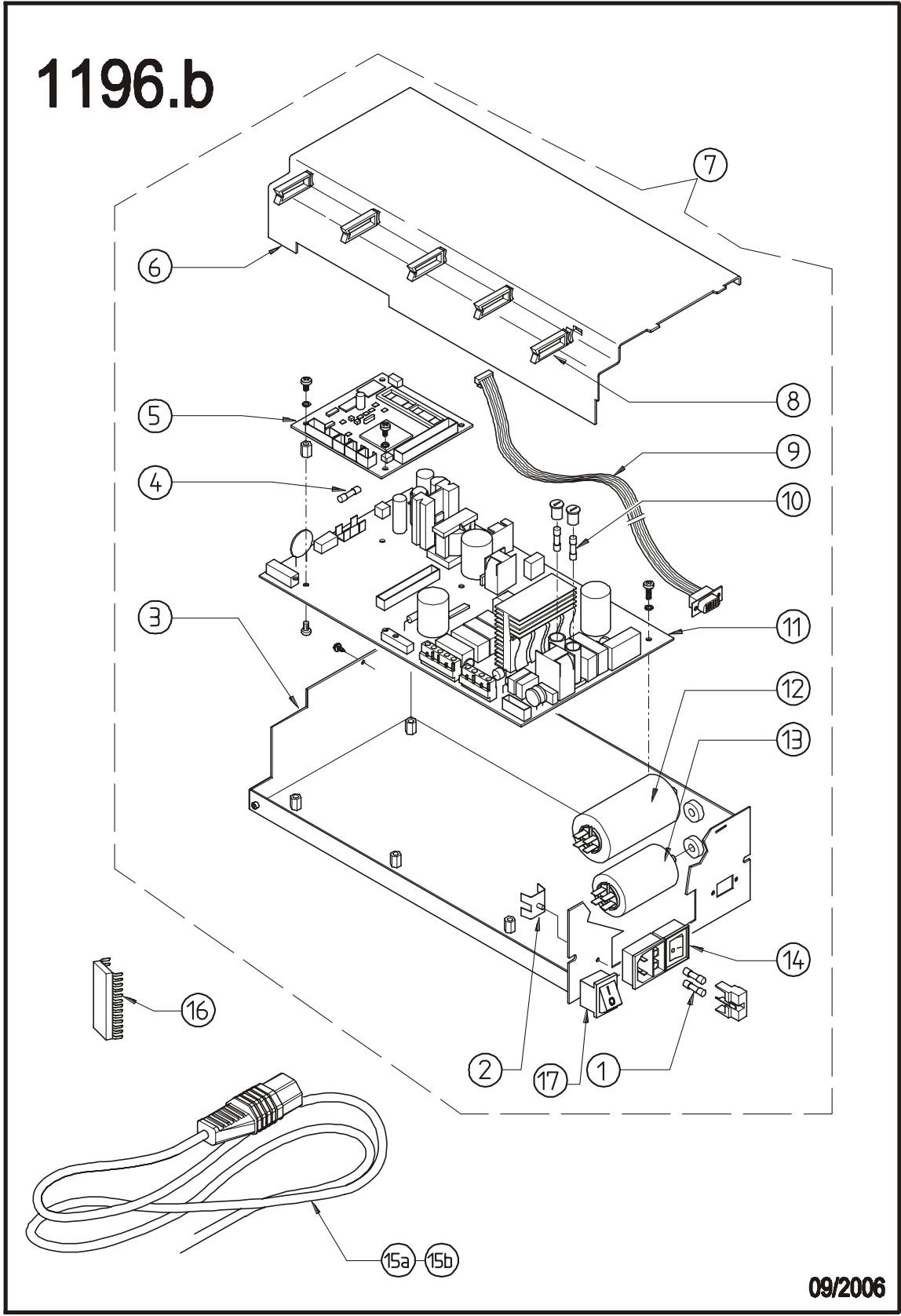
100-I-November-06

- **WHEELGUARD ASSEMBLY**

Item	Mat.no./Ref.	Designation	Q.ty
1	2-7261	SWITCH, WHEEL GUARD	1
2	EAC0053J16A	MICROSWITCH PLATE	1
3	1-9541	WASHER PLAIN D3 DIN 125A	2
4	1-26901	SCREW,HEX HEAD MAC. M3X20 8.8 A2J	2
5	1-10041	WASHER D.8 UNI6592-69/DIN125	6
6	1-17709	SCREW TCEI 8X20 8G	4
7	EAS2090G83A	M1 WHEELG. EXT. FIXING SUPP. RAL 9005	1
8	1-01530	EYE-SCREW M8x50	1
9	1-11733	NUT M8 UNI5588-65/DIN934	4
10	1-54309A	SCREW TCEI M8X50 A.T.8.8 A2J DIN 912	2
11	EAM0005D58A	WHEELGUARD STOP	1
12	1-18733A	NUT,SELF LOCK. ALL-METAL M10 A2J DIN6925	1
13	1-10141	WASHER, PLAIN D 10 DIN 125A	2
14	1-35001	SCREW, HEX HEAD MACCHINE M10X55 8.8 A2J	1
15	EAC0058D36A	WHEELGUARD BUSHING D.32	2
16	1-49010A	SCREW, SOCKET WITH CUP POINT M8X8 45H A2	1
17	EAC0058D38A	SWITCH RING	1
18	1-04267A	WHEELGUARD SPRING	1
19	1-12452	PINS - STRAIGHT SLOTTED 8X45 DIN 1481	1
20	EAS2090G85A	M1 COVER WHEELG. SUPPORT RAL 9005	1
21	1-17923	Screw, Phil Pan Head Tapping "C" 4,2X13	4
22	1-20409	SCREW,HEX SOCKET H.CAP M12X35 8.8 A2J	1
23	EAM0048G32A	STANDARDIZED WHEEL GUARD SHAFT M1	1
24	1-22441A	SHIM RING 32X45X1	1
25	EAA0338G15A	M1 WHEEL GUARD SUPPORT EXT. FIX	1
26	5-03345A	CABLE TIE	6
27	EAM0048G33A	STANDARDIZED WHEEL GUARD PIPE	1
28	8-09233A	PLASTIC HANDLE	1
29	1-19101A	SCREW, HEXAG. M8X45 8.8	2
30	EAC0087G11A	STANDARDIZED WHEEL GUARD	1
31	EAA0338G18A	WHEEL GUARD HWT 950MMM SET	1



• ELECTRONIC RETROFIT BOX



100-I-November-06

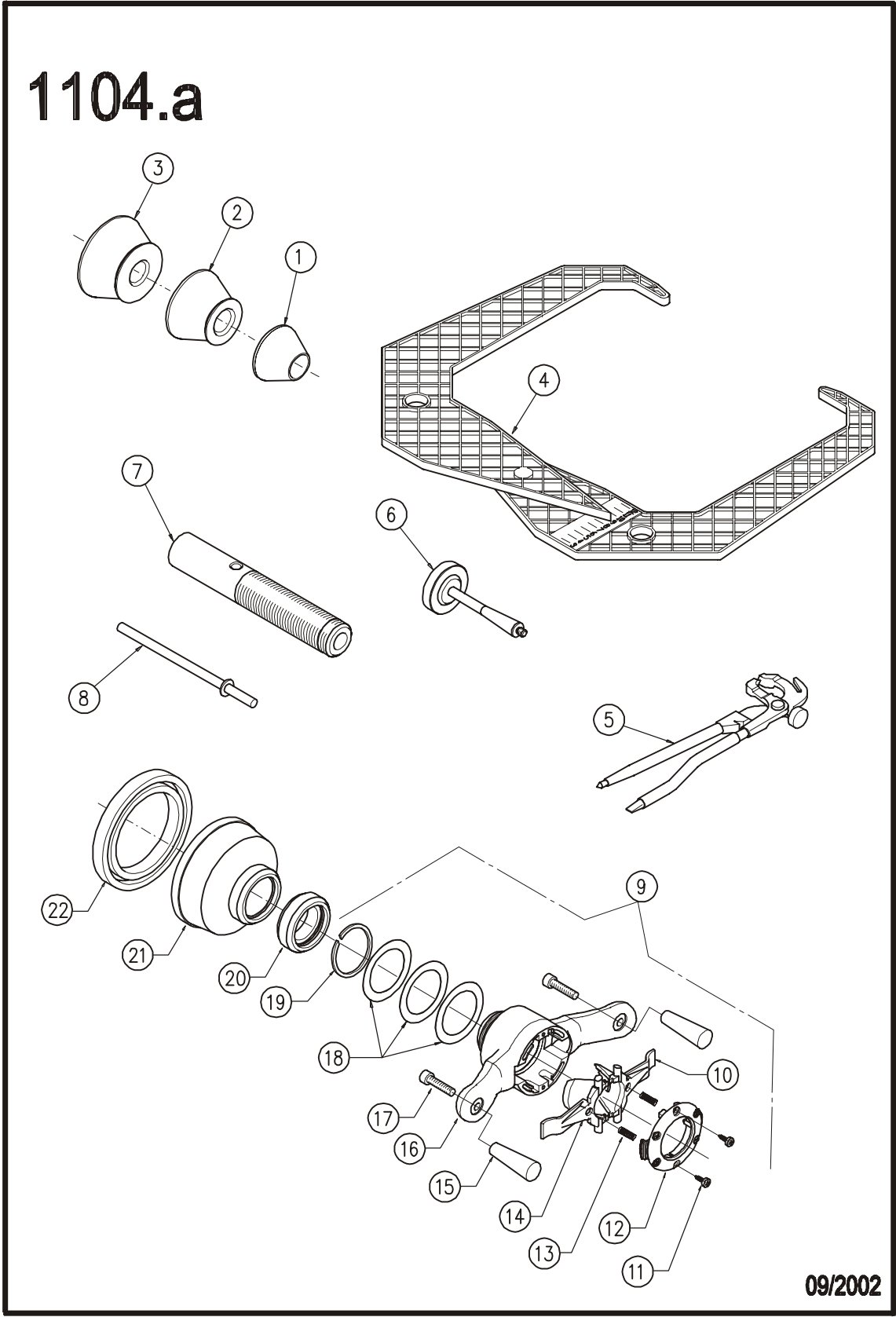


- ELECTRONIC RETROFIT BOX**

Item	Part Number	Description	Qty
1	2-16251A	FUSE, 5A DELAYED	2
2	2-23201	FLAT PLUG GROUNDING 4-POL.	1
3	EAA0260D68A	FRAME DIGITAL BOX	1
4	2-16951A	FUSE, 1.25A (5X20mm) MED. BREAK	1
5	EAP0201D00C	CONTROLLER BOARD REV. C	1
6	EAS2025D02A	COVER DIGITAL BOX	1
7a	EAA0266D10A	DIGITAL BOX	1
7b	EAA0266D11A	DIGITAL BOX (P MODEL ONLY)	1
8	2-07757A	HOOK, CABLE-BOX, DIGITAL	5
9	EAW0239D13A	CABLE, SERIAL INTERFACE	1
10	2-15351A	FUSE, SLOW-BLOW 3,2A-250V	2
11	EAP0201D10A	BOARD INTERFACE MOTOR	1
12	2-01529A	CAPACITOR	1
13	2-01429A	CAPACITOR	1
14	2-56948A	POWER ENTRY MODULE	1
15a	EAW0240G13A	CABLE, MAINS, STRAIGHT, UK/IRL	1
15b	EAW0240G12A	CABLE, MAINS, STRAIGHT, EUROPEAN	1
16	3-00227AE1	MEMORY EPROM PROGRAMMED JBEG	1
17	2-13258A	MAIN SWITCH	1



- ACCESSORIES (ø 40 mm)



100-I-November-06

09/2002

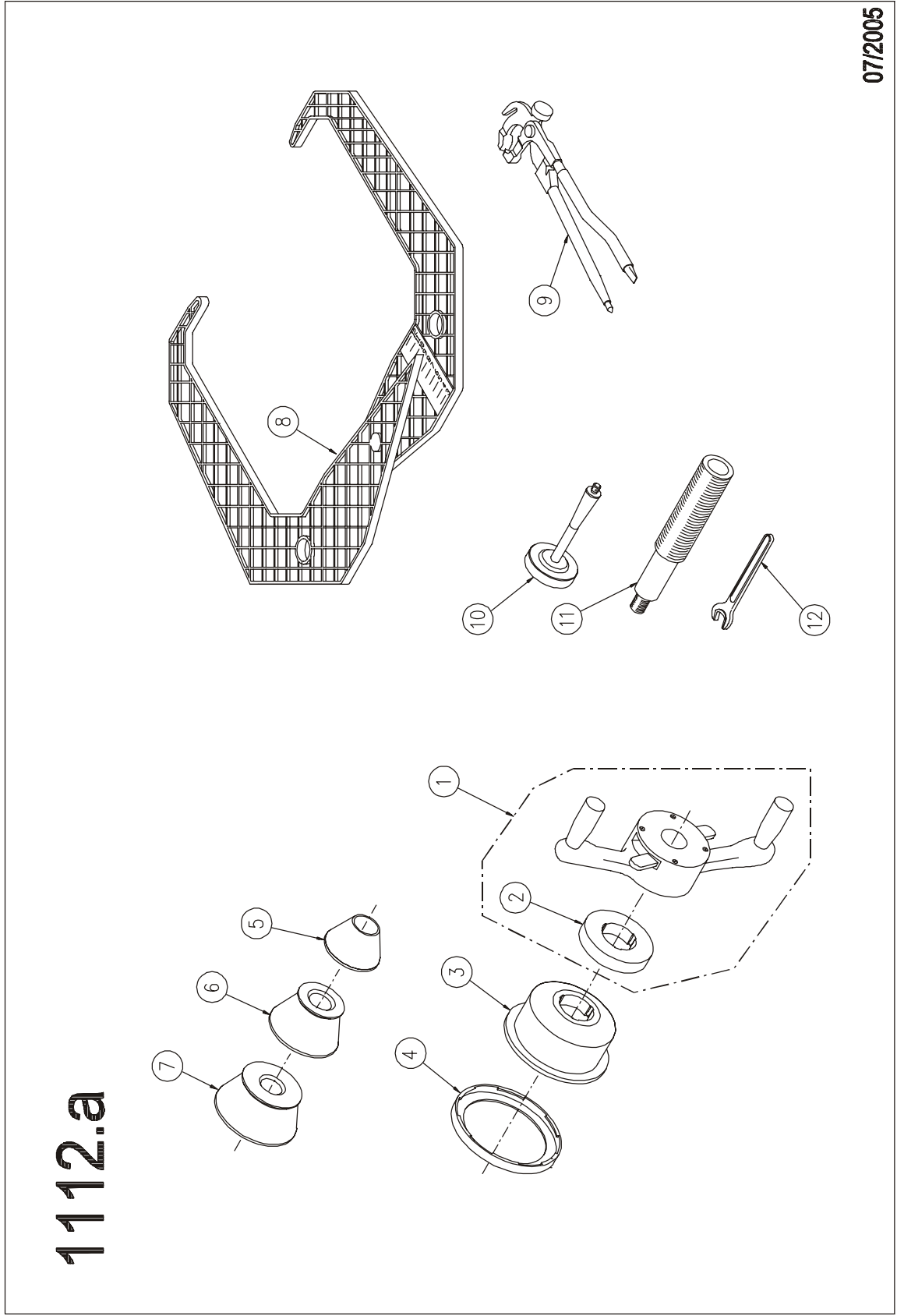


- ACCESSORIES (ø 40 mm)

Item	Part Number	Description	Qty
1	EAM0005D23A	CONE 1 ECON D.40	1
2	EAM0005D24A	CONE 2 ECON D.40	1
3	EAM0005D25A	CONE 4 ECON D.40	1
4	EAA0247G21A	CALIPER RIM WIDTH	1
5	EAA0247G22A	PLIERS, WHEEL WEIGHTS	1
6	EAM0005D40A	CALIBRATION WEIGHT 2	1
7	EAM0005D15A	STUB SHAFT 40X4	1
8	EAA0260D61A	FASTENING ROD ASSY	1
9	EAA0263G66A	QUICKNUT, DIAM. 40mm, W/HANDLES	1
10	EAC0058D16A	CLUMPING JAW 2	1
11	1-18623A1	SCREW, SHEETMETAL 4.8X16	2
12	EAC060G23A	QUICKNUT 40mm COVER DISK	1
13	1-07368A	COMPRESS.SPRING D-127 0.8X7.5X19	2
14	EAC0058D17A	CLUMPING JAW 1	1
15	EAC0060G24A	HANDLE M8	2
16	EAC0060G21A	QUICKNUT 40mm MAIN BODY W/HOLES	1
17	1-18009A	SCREW TCEI M8X35 8.8	2
18	EAC0058D18A	SHIM WASHER 52X72X0.5	3
19	1-14377A	RETAINING RING FOR SHAFTS 52X1.5	1
20	EAC0058D08A	PRESSURE RING	1
21	EAC0058D07A	PRESSURE CUP	1
22	EAC0058D15A	RUBBER PROTECTION RING	1



• ACCESSORIES (ø 28.5 mm)



100-I-November-06

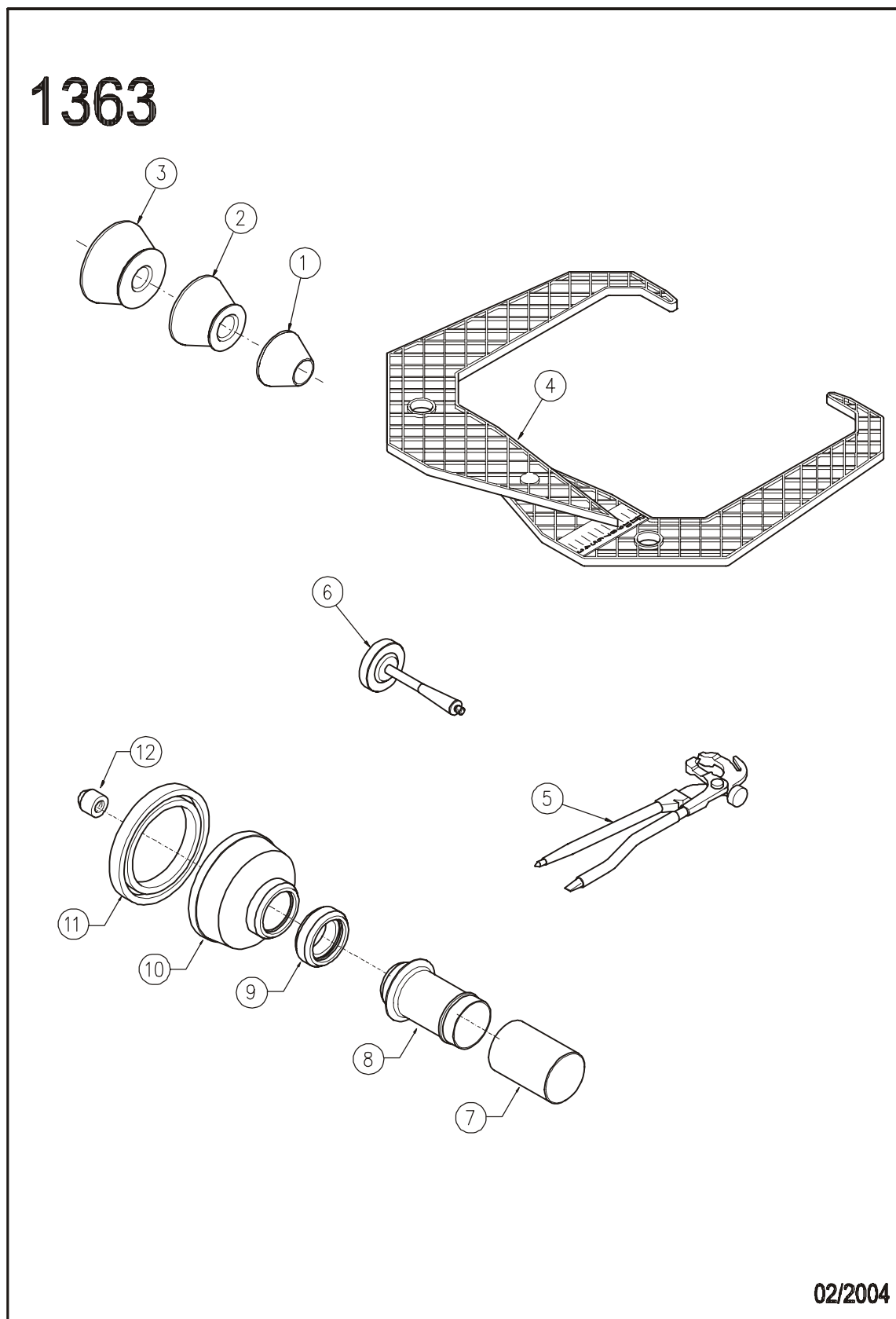


- ACCESSORIES (ø 28.5 mm)

Item	Part Number	Description	Qty
1	EAA0332G27A	QUICKNUT D..28,5x3,5	1
2	8-02040A1	SPACER RING	1
3	EAA0247G34A	PLASTIC DRUM	1
4	8-02040A4	RUBBER PROTECTION	1
5	EAM0005D20A	CONE 1 ECON D.28.5	1
6	EAM0005D21A	CONE 2 ECON D.28.5	1
7	EAM0005D22A	CONE OUTSIDE D.28.5	1
8	EAA0247G21A	CALIPER RIM WIDTH	1
9	EAA0247G22A	PLIERS, WHEEL WEIGHTS	1
10	EAM0005D40A	CALIBRATION WEIGHT 2	1
11	EAM0005D14A	STUB SHAFT 28.5X3.5	1
12	8-01050A	WRENCH	1



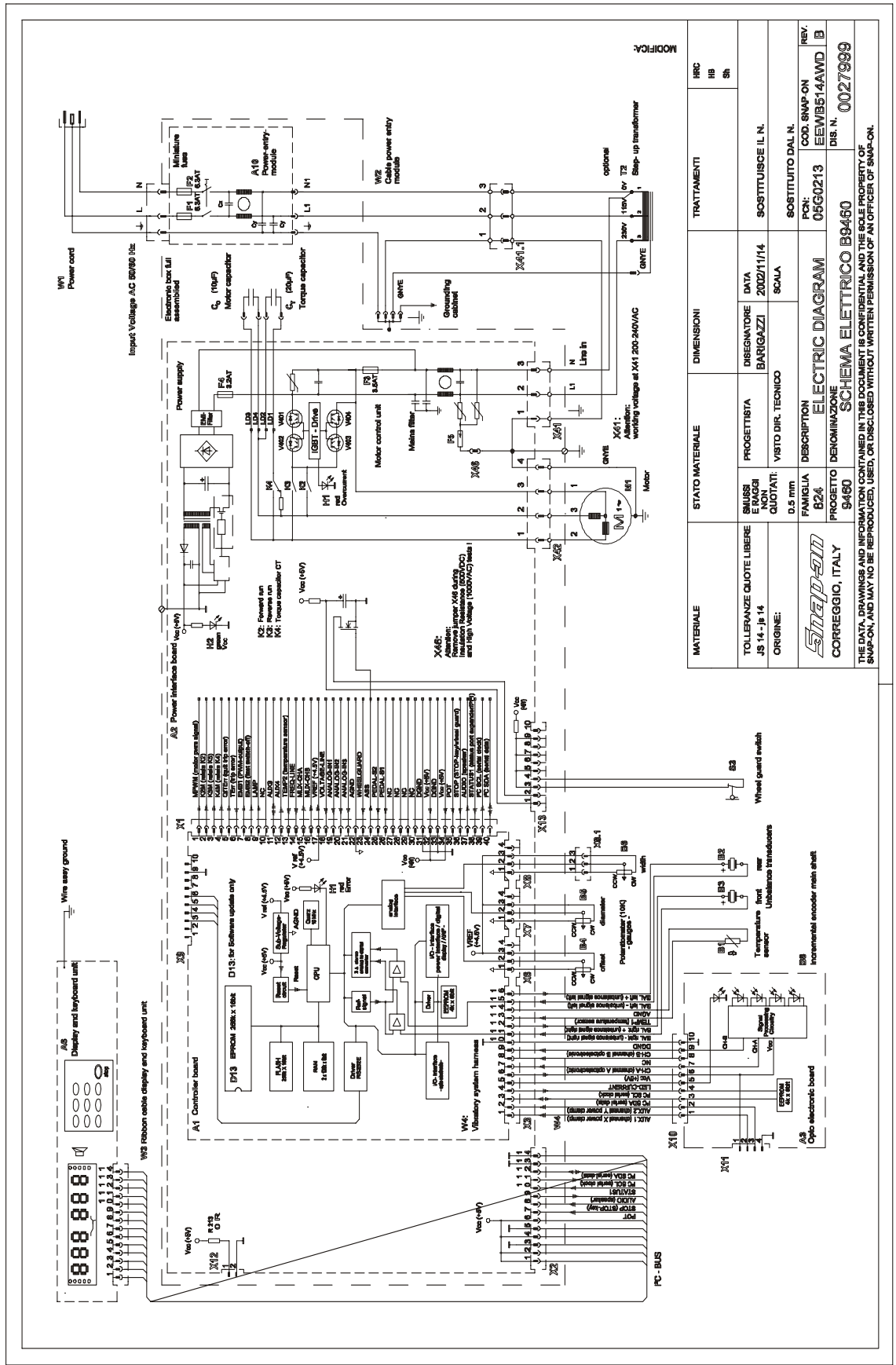
- ACCESSORIES ø 40 mm (b9460 P ONLY)



- **ACCESSORIES (ø 40 mm - P MODEL ONLY)**

Item	Part Number	Description	Qty
1	EAM0005D23A	CONE 1 ECON D.40	1
2	EAM0005D24A	CONE 2 ECON D.40	1
3	EAM0005D25A	CONE 4 ECON D.40	1
4	EAA0247G21A	CALIPER RIM WIDTH	1
5	EAA0247G22A	PLIERS, WHEEL WEIGHTS	1
6	EAM0005D40A	CALIBRATION WEIGHT 2	1
7	EAC0058D69A	PROTECTION SLEEVE LONG	1
8	EAM0005D54A	CLAMPING SLEEVE LONG	1
9	EAC0058D08A	PRESSURE RING	1
10	EAC0058D07A	PRESSURE CUP	1
11	EAC0058D15A	RUBBER PROTECTION RING	1
12	EAM0021D53A	TIGHTENING BOLT	1

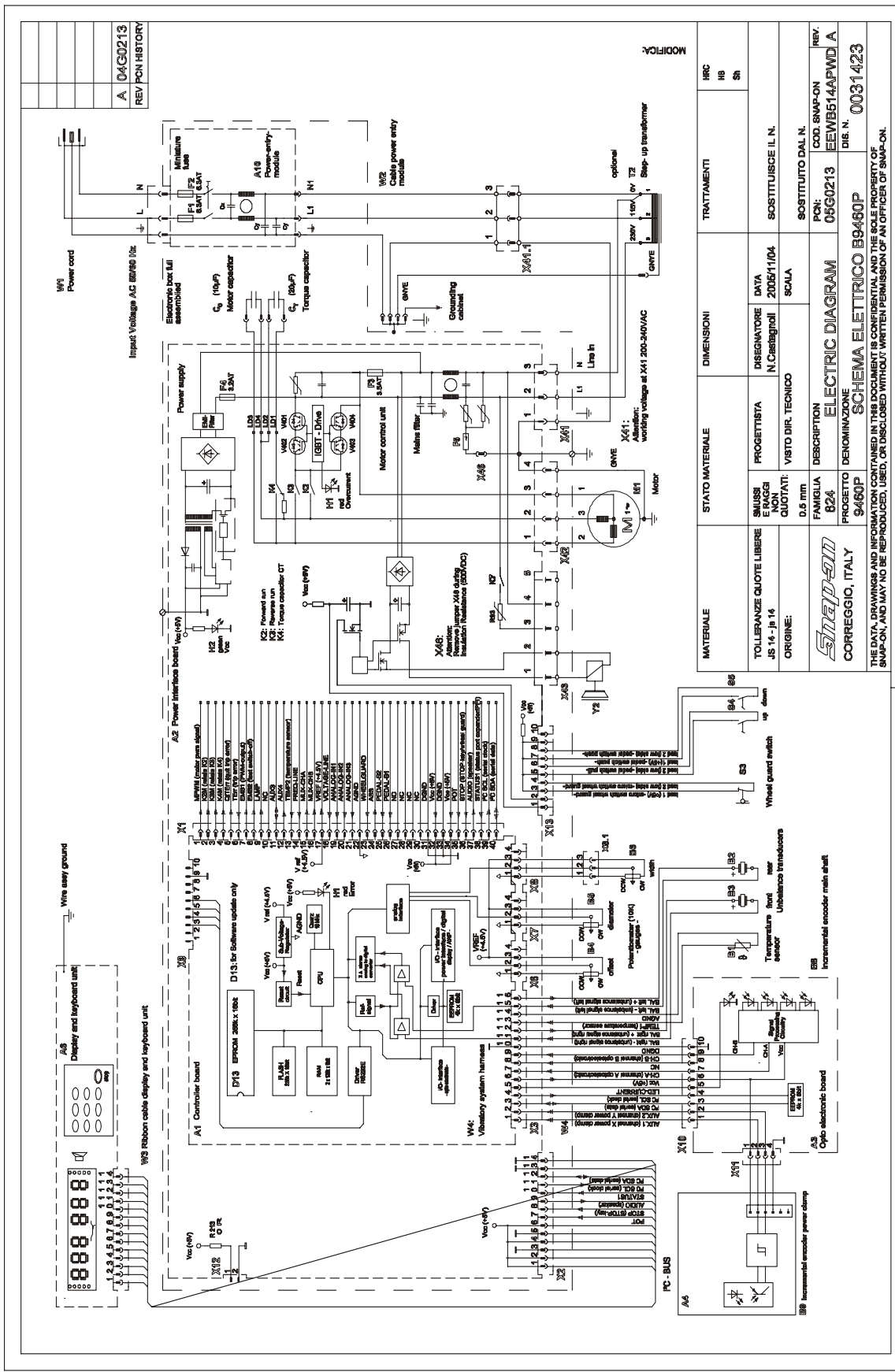




100-I-November-06



100-1-November-06



REV/PCN HISTORY	A 04G0213
-----------------	-----------

MATERIALE	STATO MATERIALE	DIMENSIONI	TRATTAMENTI	HRC
TOLLERANZE QUOTE LIBERE JS 16 - js 14	SMUSSE E RAGGI NON QUOTATI	DESIGNATORE DATA N. Castiglioli	SCOSTITUISCE IL N.	H8
ORIGINE:	FAMIGLIA 824	VEBTO DIR. TECNICO	SCALA	SH
SNAP-ON CORREGGIO, ITALY	DESCRIZIONE ELETTRIC DIAGRAM			
	PROGETTO DENOMINAZIONE SCHEMA ELETTRICO B9460P			
	PCN: COD. SNAP-ON EEWB514APWD A			
	REV. 0031423			

THE DATA, DRAWINGS AND INFORMATION CONTAINED IN THIS DOCUMENT IS CONFIDENTIAL AND THE SOLE PROPERTY OF SNAP-ON, AND MAY NOT BE REPRODUCED, USED, OR DISCLOSED WITHOUT WRITTEN PERMISSION OF AN OFFICER OF SNAP-ON.



U P D A T I N G G U I D E

MODIFIED / CHANGED PARTS Regarding Revision C of April 2005

<p>List of updated tables from this revision:</p> <table border="0" style="width: 100%;"> <tr> <td>1111</td> <td>1110</td> <td>1109.a</td> </tr> <tr> <td>1111.a</td> <td>1110.a</td> <td>1109.b</td> </tr> </table>	1111	1110	1109.a	1111.a	1110.a	1109.b	<p>List of corrected parts: page 7 (Item 9):</p> <p>EAA0260D09A EAP0201D50A</p> <p>List of changed parts: page 15 (Item 8 - 33):</p> <p>EAS2027G24A EAA0263G53A EAC0053J16A EAA0263G55A</p>
1111	1110	1109.a					
1111.a	1110.a	1109.b					

U P D A T I N G G U I D E

MODIFIED / CHANGED PARTS Regarding Revision D of July 2005

List of updated tables from this revision:

~~1112~~
1112.a

List of updated parts at page 21 (Item 1-2-3-4):

EAM0002G03A	EAC0060G09A	EAA0247G35A	EAA0247G36A
EAA0332G27A	8-02040A1	EAA0247G34A	8-02040A4

U P D A T I N G G U I D E

MODIFIED / CHANGED PARTS Regarding Revision E of October 2005

P model spare parts tables are present from this revision.

List of updated/added tables from this revision:

	—	—	—
	1366	1103 1103.a	1364 1363

List of added parts at page 21 (Item 8b):

EAA0266D11A |

U P D A T I N G G U I D E

MODIFIED / CHANGED PARTS Regarding Revision F of July 2006

List of updated tables from this revision:

PREVIOUS	1109.b	1107.a
ACTUAL	1563	1564
PCN	06G0044	06G0044

List of updated parts at page 9 (Item 9-17), accordingly with PCN 06G0070:

EAP0201D50A	EAA0260D51A
EAA0260D09A	EAA0338G35A

100-I-November-06



U P D A T I N G G U I D E

MODIFIED / CHANGED PARTS Regarding **Revision G** of **August 2006**

List of updated tables from this revision:

PREVIOUS	1366	
ACTUAL	1366.a	1561
PCN	06G0054	06G0054

List of updated parts at page 11 (Item 1), accordingly with PCN 06G0066:

EAA0263G26A
EAA0332G26A

List of added wire diagrams from this revision:

EEWB514APW EEWB514AWD

U P D A T I N G G U I D E

MODIFIED / CHANGED PARTS Regarding **Revision H** of **September 2006**

List of updated parts at page 9 (Item 9), accordingly with PCN 06G0132:

EAA0260D09A
EAA0344G00A

List of updated parts at page 15 (Item 8), accordingly with PCN 06G0125:

EAP0201D50A
EAP0167G60A

U P D A T I N G G U I D E

MODIFIED / CHANGED PARTS Regarding **Revision I** of **October 2006**

List of updated tables from this revision:

PREVIOUS	1564	1103.a	1110.a	1364
ACTUAL	1564.a	1196.b	1110.b	1364.a
PCN	06G0129	06G0127	06G0136	06G0136

U P D A T I N G G U I D E

MODIFIED / CHANGED PARTS Regarding **Revision L** of **November 2006**

REMOVED:	1564.a
APPLIED:	1564.b
<i>PCN n°:</i>	<i>06G0160</i>

100-1-November-06



JBC GERMANY

Snap-on Equipment GmbH
Werner-von-Siemens-Str. 2
63419 Pfungstadt - Deutschland
Tel: +49 (0) 6157 12 600
Fax: +49 (0) 6157 12 601
www.snapon-equipment.de

France

Snap-on Equipment France
Za du Vert Galant
15, Rue de la Guivernone, BP 7175
95310, Saint -Ouen-L'Aumône,
Tel: +33 (0)1 34 48 58 94
Fax: +33 (0)1 34 48 58 70
www.snapon-equipment.fr

United Kingdom

Snap-on Equipment Ltd
48 Sutton Park Avenue,
Reading, RG6 1AZ, U.K.
Tel: +44 (0)118 929 6811
Fax: +44 (0)118 966 4369
www.johnbean.co.uk

Italy

Snap-on Equipment s.r.l.
via Prov. Carpi, 33
42015 Correggio (RE)
Tel: +39 0522 733600
Fax: +39 0522 733610
www.snapon-equipment.it

John Bean - Customer Service**Export / Middle East**

Snap-on Equipment s.r.l. - via Prov. Carpi, 33 - 42015 Correggio (RE)
Tel: +39 0522 733480 - Fax: +39 0522 733479 - www.jbeg.net - corracs@snapon.com

b 9460