

(BLANK PAGE)

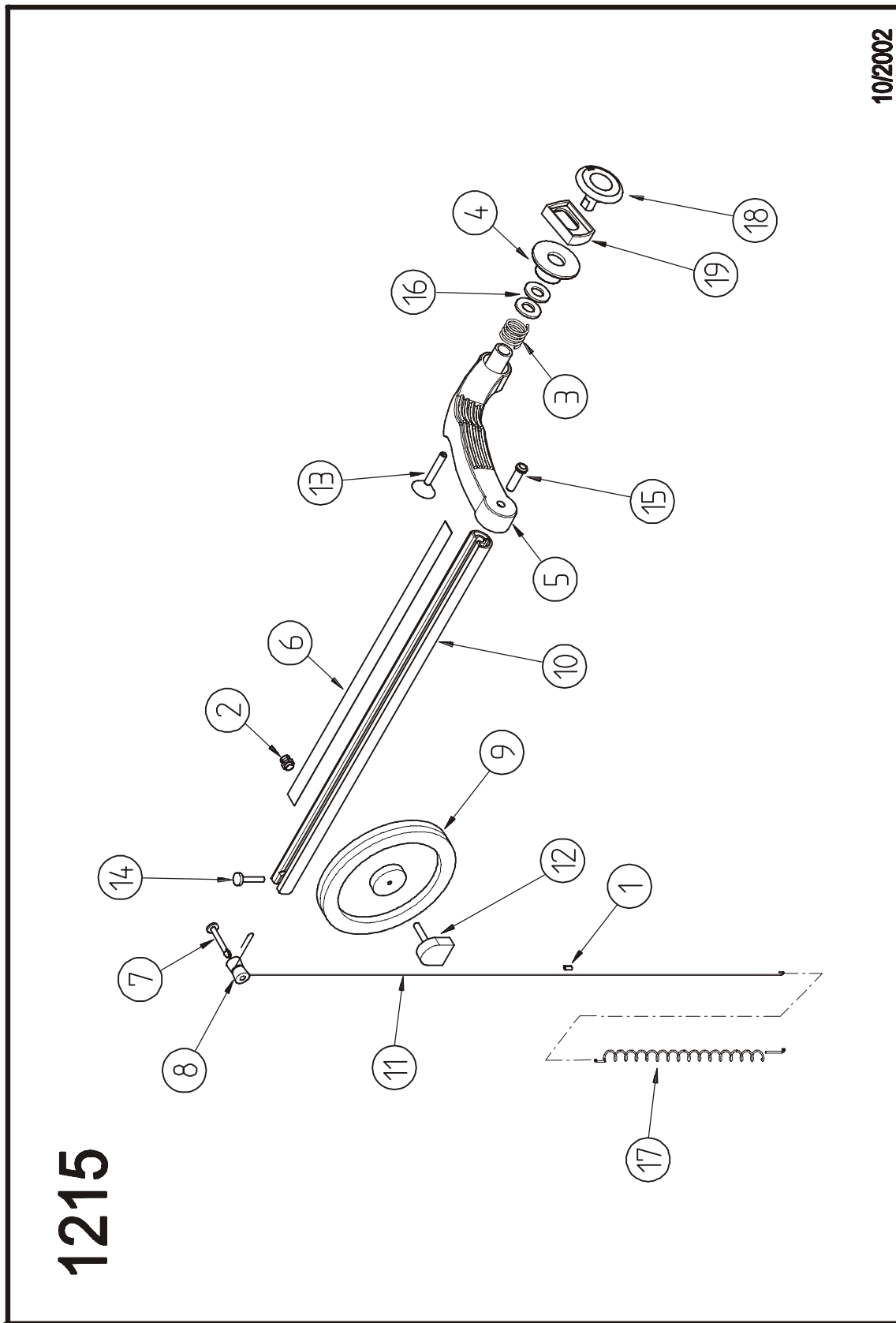


124-n-December-06

(BLANK PAGE)



- SEMI AUTOMATIC PARAMETER ENTRY (SAPE) ASSEMBLY



124-n-December-06

- SEMI AUTOMATIC PARAMETER ENTRY (SAPE) ASSEMBLY
- NOTE -

BOLD CODES MEANS SUGGESTED SPARE PARTS



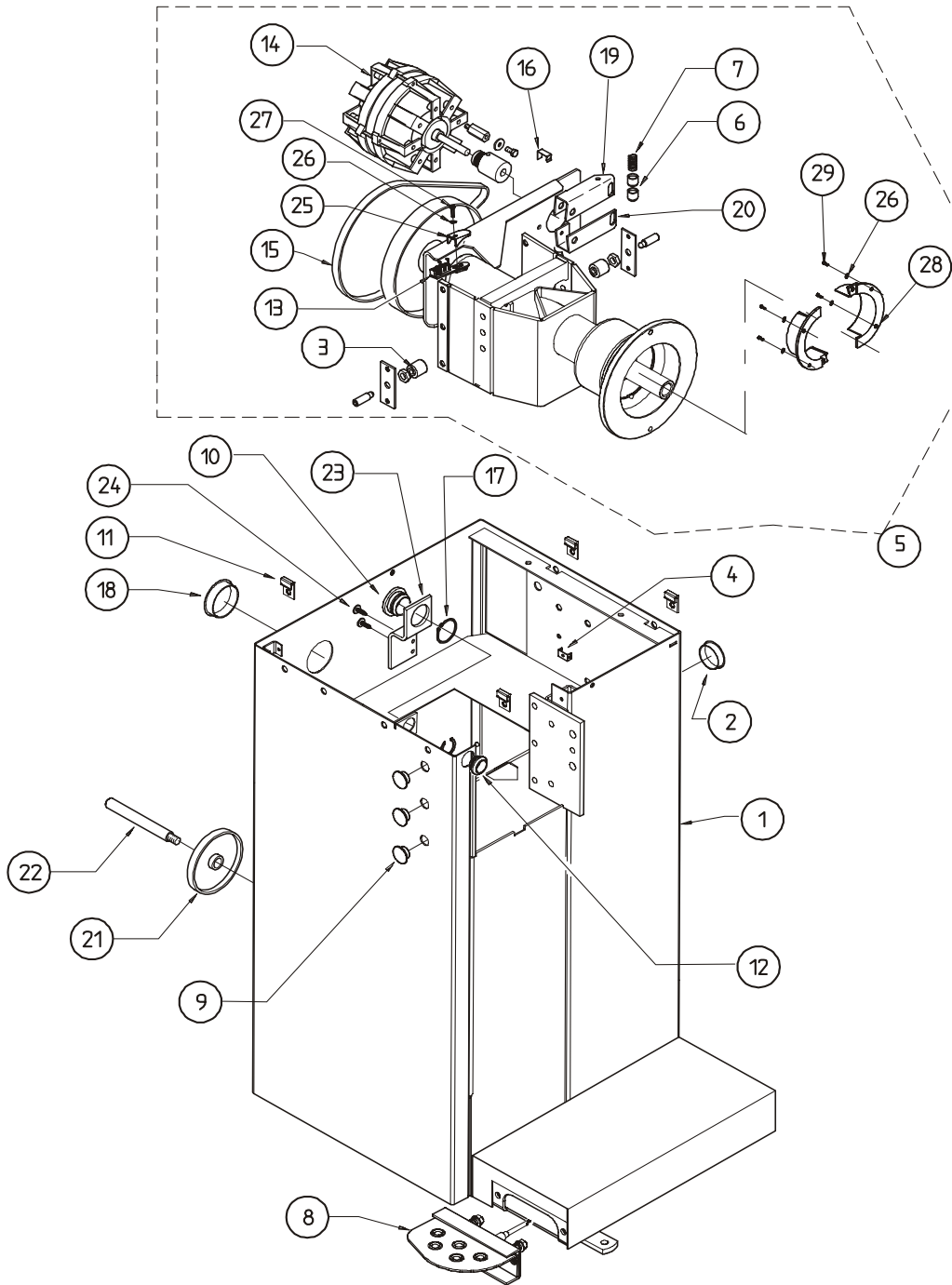
19	EAC0058D09A	WEIGHT APPLICATOR	1
18	EAC0058D11A	TOUCHING DISC	1
17	1-03267A	SPRING-EXTENSION, SAPE	1
16	1-10141A1	SPACER WASHER	2
15	1-3824	SCREW-SELF TAP, 6X12 MM	1
14	1-13609	SCREW-HHCS, M4-16X8,8	1
13	1-3624	SCREW-FHMS, 5X40 MM	1
12	<b>EAA0266D20A</b>	<b>ROTATIVE TRANSDUCER ASSY</b>	1
11	6-00404A	ROPE-HEMINGWAY DYNEEMA	1
10	EAM0005D36A	ROD-SAPE, S1	1
9	EAC0058D06A	REEL-ROPE	1
8	EAM0005D35A	REEL-GUIDING, SAPE	1
7	8-1940	PIN-PUSHIN, NYLON	1
6	EAL0345D01A	MEASURE TAPE- 1D SAPE	1
5	EAC0054P01A	EUROPEAN SAPE ARM	1
4	EAC0058D10A	CONTACT RING	1
3	1-06868A	COMPRESSION SPRING D- 145E	1
2	2-07657A	CLAMPING DEVICE WITH NUT	1
1	2-07557A	CABLE HOLDER SNAP-ON	1
Item	Part Number	Description	Qty

124-n-December-06



- S1-A CABINET ASSEMBLY

# 1221.c



124-n-December-06

12/2006



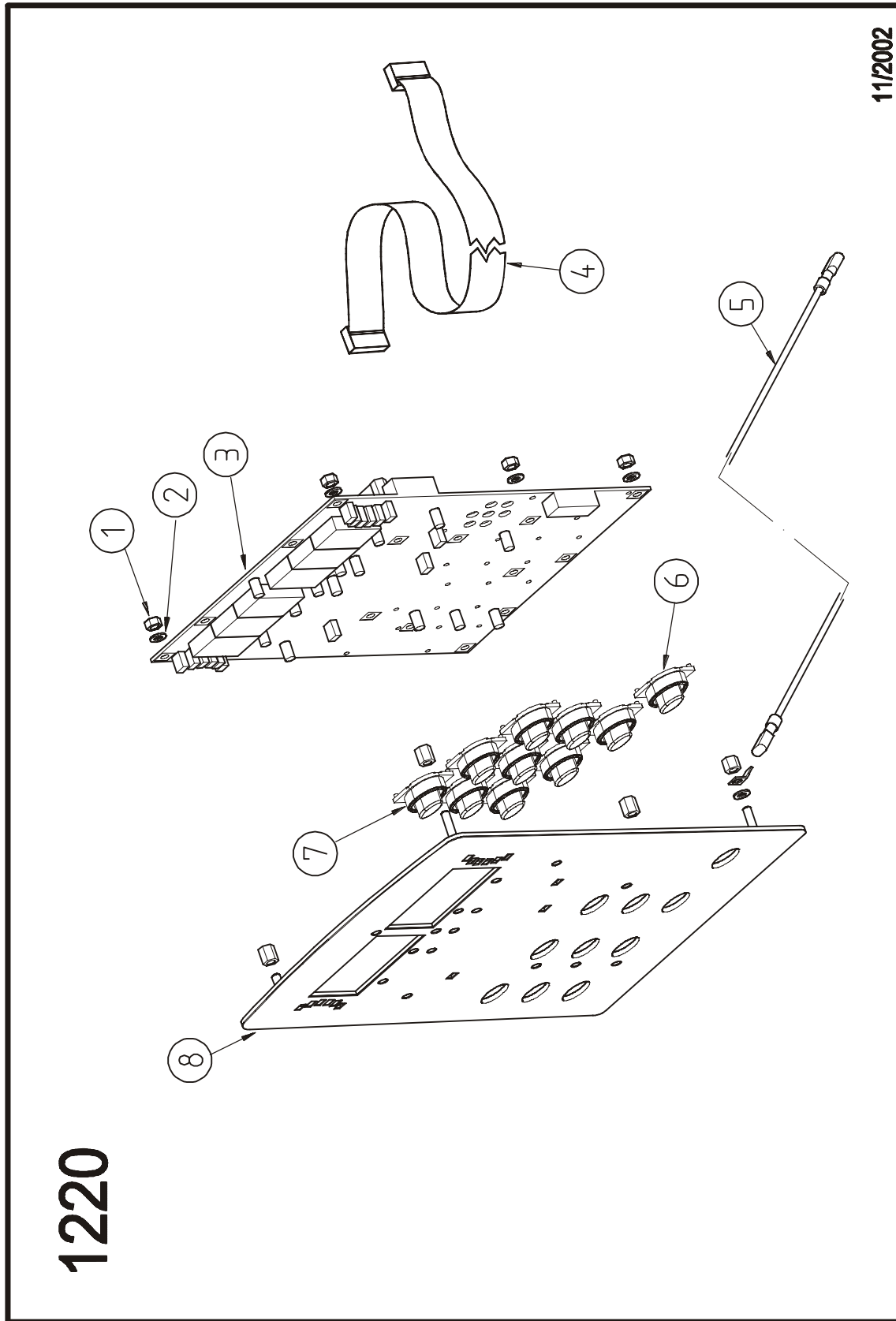
- S1-A CABINET ASSEMBLY

29	1-27401	SCREW, HEX HEAD M4X12 8.8-A2J	4
28	EAC0087G72A	BEARING PROTECTION	2
27	1-13404A	SCREW - PHMS,M4X16 4.8 A2J DIN7985	1
26	1-9641	PLAIN WASHER	1
25	EAC0087G54A	ENCODER BOARD PROTECTION	1
24	1-3724	SELF-TAPPING SCREW	2
23	EAS2067G52A	EXTENSION SAPE BRACKET	1
22	EAM0006G01A	HOOK	4
21	EAC0060G02A	FLANGE GUARD	4
20	EAA0260D57A	BRAKE LEVER B CPL.	1
19	EAA0260D56A	BRAKE LEVER A CPL.	1
18	EAC0060G05A	CUP	1
17	1-4577	SNAP RING - 25X1.2	2
16	<b>EAS2025D12A</b>	<b>FASTENING TEMPERATURE SENSOR</b>	1
15	8-3531	MULTIRIB BELT 5 PJ711 DIN 7867	1
14	2-22066	MOTOR	1
13	<b>EAA0344G00A</b>	<b>OPTOELECTR. UNIT COMPL. W/LENSE</b>	1
12	EAM0005D38A	BUSHING, OUTSIDE SAPE	1
11	1-6839	TINNERMAN CLIP	4
10	EAM0005D39A	BUSHING, INSIDE SAPE	1
9	EAC0060G00A	HOLE PLUG - 16 MM	3
8	<b>EAA0263G07A</b>	<b>JBEG BRAKE PEDAL GROUP</b>	1
7	1-6668	COMPRESSION SPRING	1
6	EAM0005D18A	SPACER	2
5	EAA0338G35A	VIBRATOR. MOT.IF D40/28,5 POL. RING	1
4	2-23201	TERMINAL, PLUG	1
3	<b>EAA0260D59A</b>	<b>TRANSDUCER</b>	2
2	1-3176	PLUG	1
1	EAS2027G00A	S1-A CABINET (RED)	1
Item	Part Number	Description	Qty

124-n-December-06



• B9450 USER INTERFACE ASSEMBLY



124-n-December-06





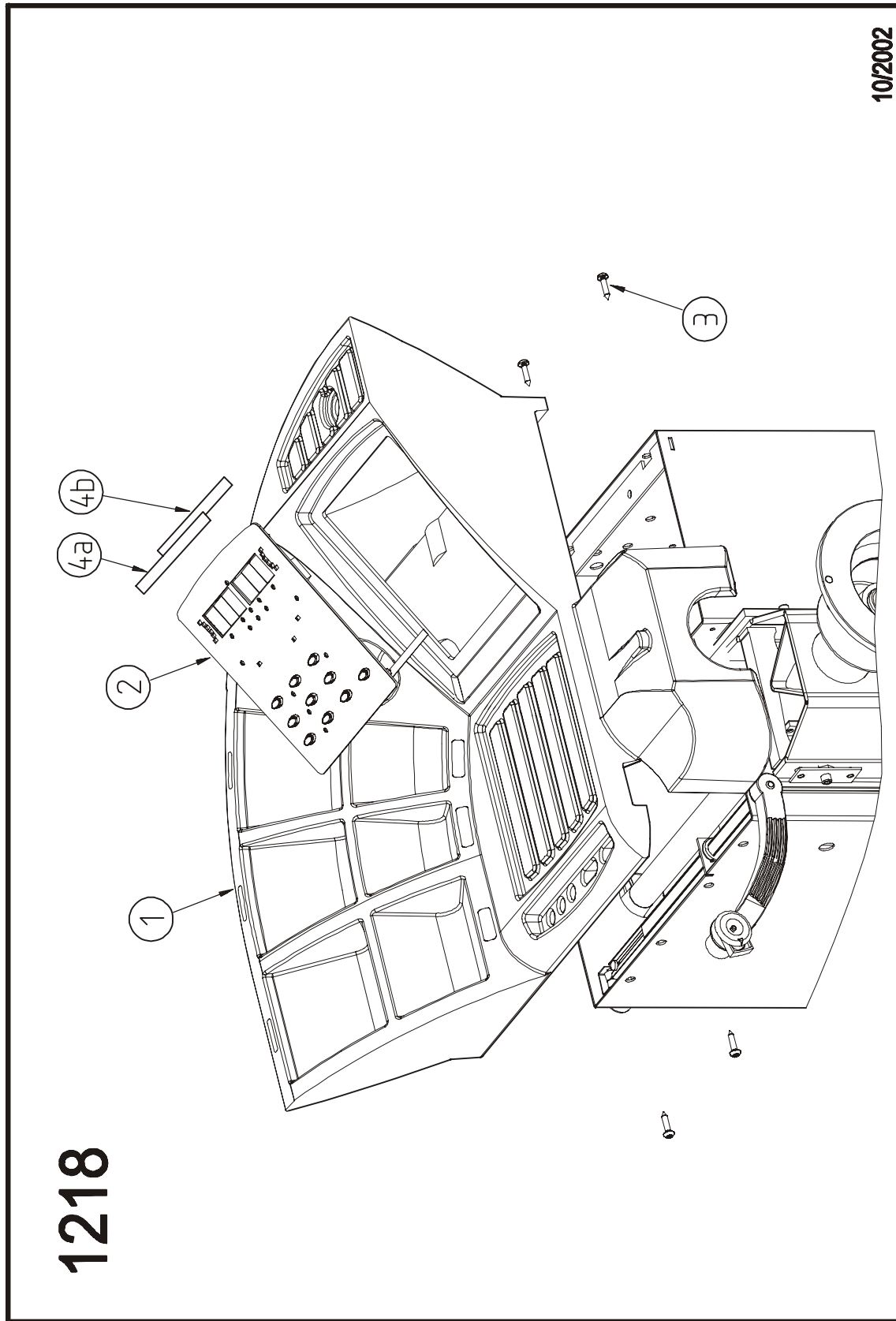
- **B9450 USER INTERFACE ASSEMBLY**

8	EAA0254P09A	FRONT PANEL ASSEMBLY	1
7	<b>EAC0054P06A</b>	<b>USER INTERFACE BUTTON (GREY)</b>	9
6	<b>EAC0054P02A</b>	<b>USER INTERFACE BUTTON (RED)</b>	1
5	EAW0240G02A	EARTH CABLE ASSEMBLY	1
4	EAW0240G00A	KEYBOARD CONNECTION CABLE	1
3	<b>EAP0192P20A</b>	<b>B9000/B9450 DISPLAY PCB</b>	1
2	1-5547	CONTACT WASHER	8
1	1-15833A	NUT M4	7
Item	Part Number	Description	Qty

124-n-December-06



- B9450 USER WEIGHT TRAY ASSEMBLY



124-n-December-06



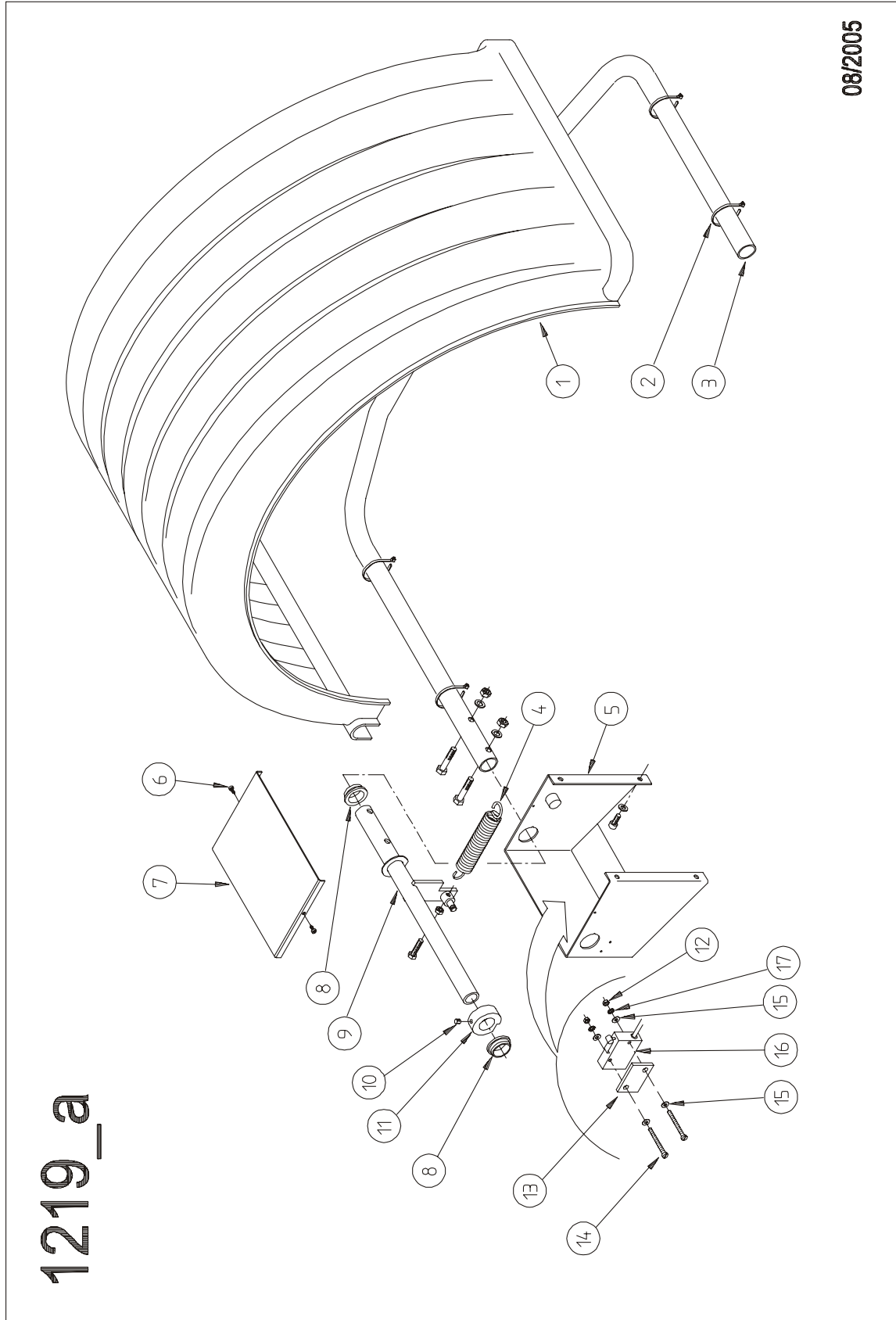
- **B9450 USER WEIGHT TRAY ASSEMBLY**

4A	5-09026A2	ADHESIVE VELCRO - HOOK (WEIGHT-TRAY)	,73mt
4B	5-09026A1	ADHESIVE VELCRO - LOOP (USER INTERFACE)	,73mt
3	1-20523	SELF TAPPING SCREW 5,5X25	4
2	<b>EAA0254P12A</b>	<b>USER INTERFACE JBEG LD</b>	1
1	EAC0054P00A	B9000/B9450 WEIGHT TRAY	1
Item	Part Number	Description	Qty

124-n-December-06



• B9450 WHEELGUARD ASSEMBLY



124-n-December-06

- **B9450 WHEELGUARD ASSEMBLY**

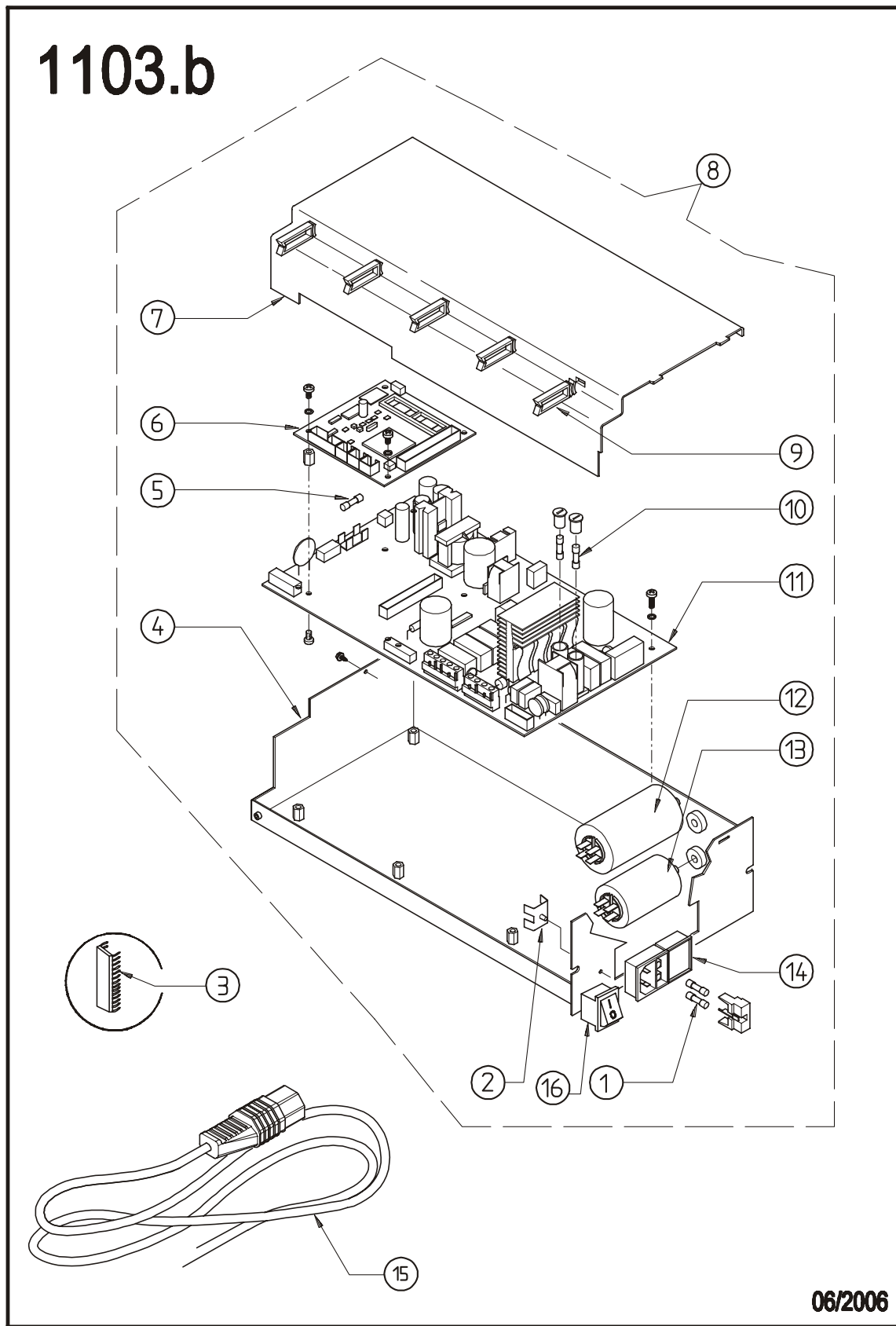
17	1-1248	WASHER EXTERNAL SHAKEPROOF D3	2
16	<b>2-7261</b>	<b>WHEELGUARD MICROSWITCH</b>	1
15	1-9541	WASHER PLAIN D3	4
14	1-7104	SCREW, SLOTTED CHEESE HEAD	2
13	EAC0053J16A	PLATE, MICRO	1
12	1-11233	NUT M3	2
11	EAM0006G02A	WHEELGUARD TUBE RING NUT	1
10	1-47810	SCREW M8X8 BURNISHED DIN 913	1
9	EAA0263G03A	WHEELGUARD PIPE GROUP	1
8	EAC0060G03A	WHEELGUARD PIPE BEARING	2
7	EAS2027G25A	WHEELGUARD COVER PLATE	1
6	1-20423	SELF TAPPING SCREW 4,2X13	2
5	EAA0263G02A	WHEELGUARD SUPPORT GROUP	1
4	<b>EAM0006G06A</b>	<b>WHEELGUARD SPRING</b>	1
3	EAM0006G07A	WHEELGUARD TUBE	1
2	5-03345A	CABLE TIE	5
1	EAC0060G04A	HOOD	1
Item	Part Number	Description	Qty

124-n-December-06



- B9450 EASY ELECTRONIC RETROFIT BOX

# 1103.b



124-n-December-06

06/2006



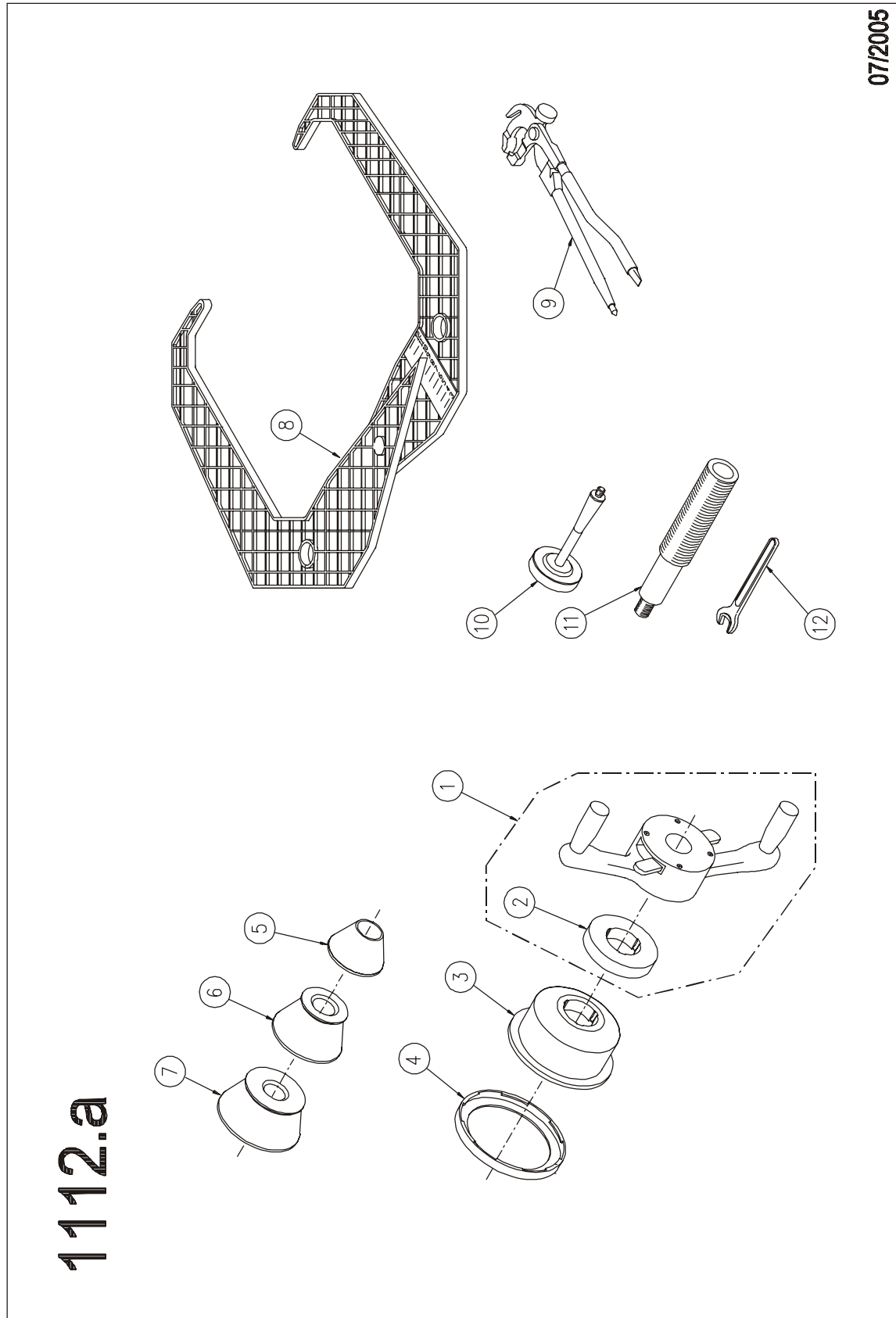
- B9450 EASY ELECTRONIC RETROFIT BOX**

16	2-13258A	MAIN SWITCH	1
15B	EAW0240G13A	CABLE,MAINS,STRAIGHT,UK/IRL	1
15A	EAW0240G12A	CABLE,MAINS,STRAIGHT,EUROPEAN	1
14	<b>2-56948A</b>	<b>POWER ENTRY MODULE W/LINE FILT.</b>	1
13	2-01429A	CAPACITOR	1
12	2-01529A	CAPACITOR	1
11	<b>EAP0201D10A</b>	<b>POWER INTERFACE BOARD</b>	1
10	2-15351A	FUSE, SLOW-BLOW 3,2A-250V	2
9	2-07757A	HOOK, RETAINER CABLE	5
8	<b>EAA0266D10A</b>	<b>DIGITAL BOX</b>	1
7	EAS2025D02A	COVER FOR DIGITAL BOX	1
6	<b>EAP0201D00A</b>	<b>CONTROLLER BOARD</b>	1
5	2-16951A	FUSE, 1,25A (5X20 MM) MED. BREAK	1
4	EAA0260D68A	FRAME DIGITAL BOX	1
3	<b>3-00227AE1</b>	<b>MEMORY, EPROM-PROGRAMMED</b>	1
2	2-23201	FLAT PLUG GROUNDING 4-POL	1
1	<b>2-16251A</b>	<b>FUSE, SLOW-BLOW 5A-250V</b>	2
Item	Part Number	Description	Qty

12.4-n-December-06



- B9450 ACCESSORIES ø 28,5 mm



124-n-December-06



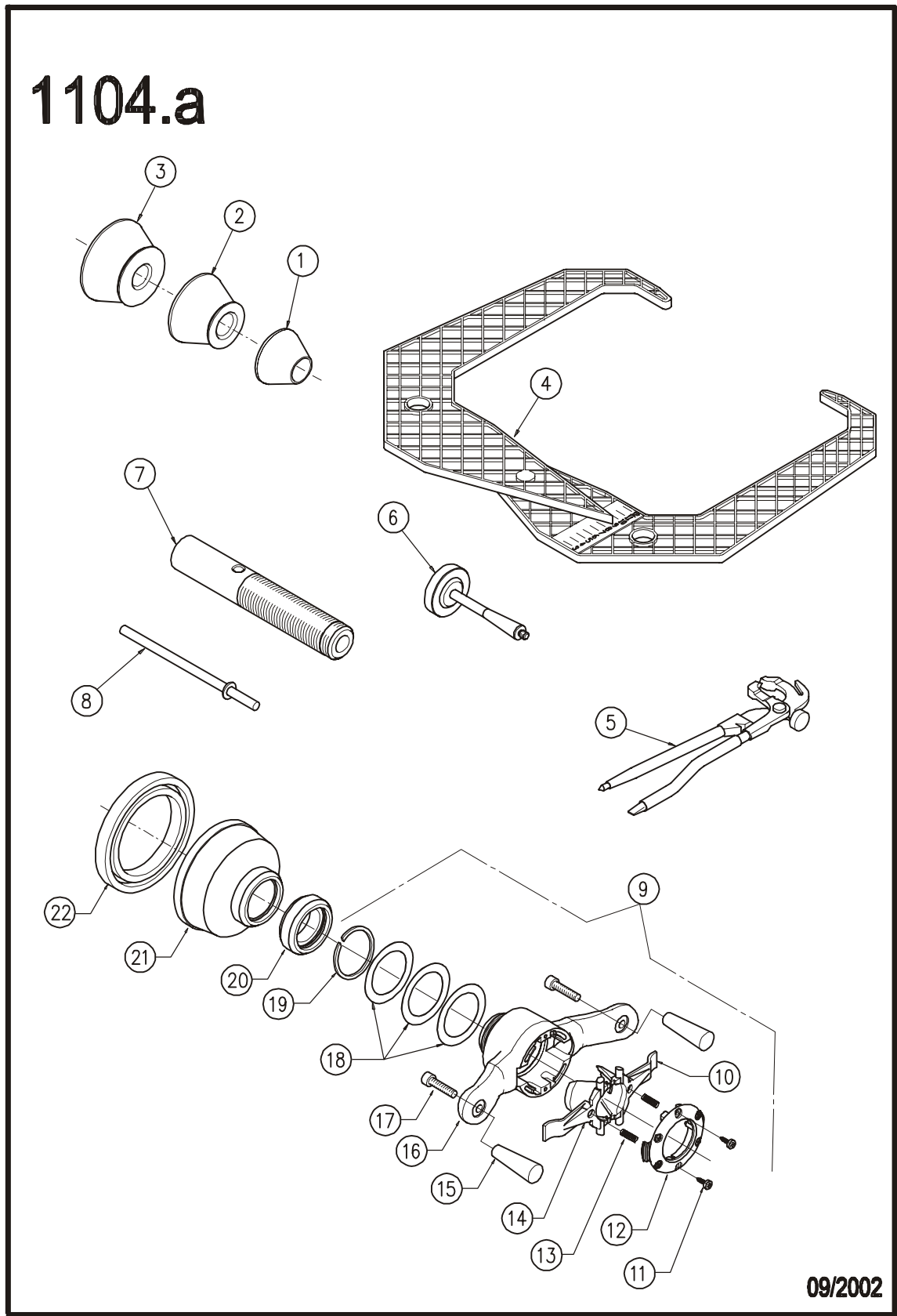
- **B9450 ACCESSORIES ø 28,5 mm**

12	8-01050A	WRENCH-OPEN END (SW 19)	1
11	EAM0005D14A	TREADED SHAFT 28,5MM	1
10	<b>EAM0005D40A</b>	<b>CALIBRATION WEIGHT</b>	1
9	EAA0247G22A	WEIGHT PLIERS	1
8	EAA0247G21A	RIM WIDTH CALIPER	1
7	EAM0005D22A	CONE N.4 - 28,5MM	1
6	EAM0005D21A	CONE N.2 - 28,5MM	1
5	EAM0005D20A	CONE N.1 - 28,5MM	1
4	8-02040A4	RUBBER PROTECTION	1
3	EAA0247G34A	PLASTIC DRUM	1
2	8-02040A1	SPACER RING	1
1	EAA0332G27A	QUICKNUT D.28,5x3,5	1
Item	Part Number	Description	Qty

12.4-n-December-06



- B9450 ACCESSORIES  $\varnothing$  40 mm



124-n-December-06

09/2002

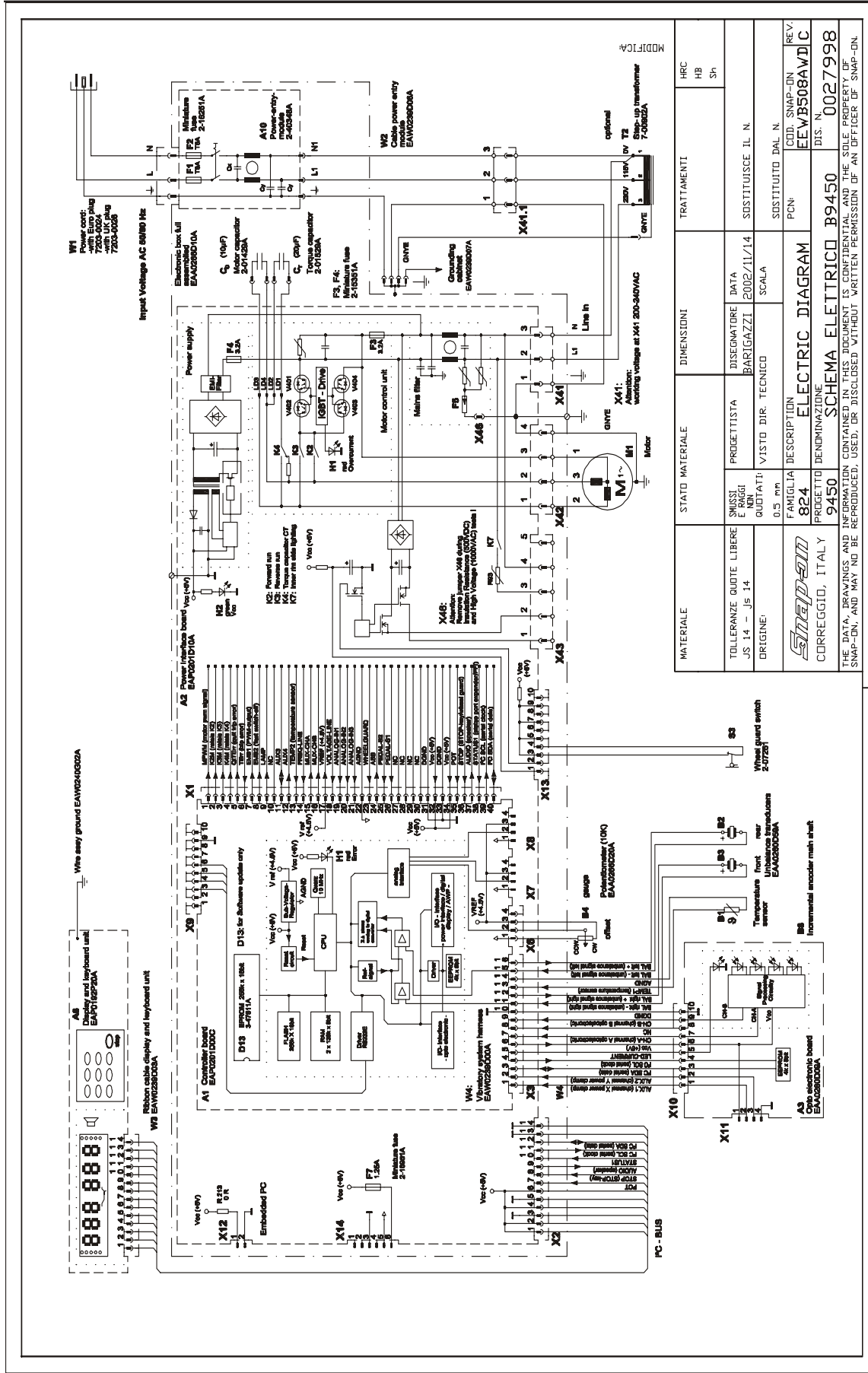


- **B9450 ACCESSORIES ø 40 mm**

22	EAC0058D15A	RUBBER PROTECTION RING	1
21	EAC0058D07A	PRESSURE CUP	1
20	EAC0058D08A	PRESSURE RING	1
19	1-14377A	RETAINING RING	1
18	EAC0058D18A	SHIM WASHER 52X72X0.5	3
17	1-18009A	SCREW TCEI M8X35 8.8	2
16	EAC0060G21A	QUICKNUT 40mm MAIN BODY W/HOLES	1
15	EAC0060G24A	HANDLE M8	2
14	<b>EAC0058D17A</b>	<b>CLUMPING JAW 1</b>	1
13	<b>1-07368A</b>	<b>COMPRESS.SPRING D-127 0.8X7.5X19</b>	2
12	EAC060G23A	QUICKNUT 40mm COVER DISK	1
11	1-18623A1	SCREW, SHEETMETAL 4.8X16	2
10	<b>EAC0058D16A</b>	<b>CLUMPING JAW 2</b>	1
9	EAA0263G66A	QUICKNUT, DIAM.40mm, W/HANDLES	1
8	EAA0260D61A	FASTENING ROD ASSY	1
7	EAM0005D15A	STUB SHAFT 40X4	1
6	<b>EAM0005D40A</b>	<b>CALIBRATION WEIGHT 2</b>	1
5	EAA0247G22A	PLIERS, WHEEL WEIGHTS	1
4	EAA0247G21A	CALIPER RIM WIDTH	1
3	EAM0005D25A	CONE 4 ECON D.40	1
2	EAM0005D24A	CONE 2 ECON D.40	1
1	EAM0005D23A	CONE 1 ECON D.40	1
Item	Part Number	Description	Qty

124-n-December-06





MATERIALE	STATO MATERIALE	DIMENSIONI	TRATTAMENTI
TOLLERANZE QUOTE LIBERE JS 14 - Js 14	SWISSI E RAGGI NON	DISEGNATORE DATA BARIGAZZI 2002/11/14	SOSTITUISCE IL N.
ORIGINE: <b>Linep-din</b> CORREGGIO, ITALY	QUOTATI: 0.5 mm	SCALE	SOSTITUITO DAL N.
	FAMIGLIA 824	DESCRIZIONE ELECTRIC DIAGRAM	COD. SNAP-DIN EAWB508AWD1 C
	PROGETTO DENOMINAZIONE 9450 SCHEMA ELETTRICO B9450		DIS. N. 0027998

THE DATA, DRAWINGS AND DIMENSIONS CONTAINED IN THIS DOCUMENT IS UNDEVELOPED AND IS SUBJECT TO CHANGE WITHOUT NOTICE. WRITTEN PERMISSION OF AN OFFICER OF SNAP-DIN, SNAP-DIN, AND MAY NOT BE REPRODUCED, USED, OR DISCLOSED, WITHOUT WRITTEN PERMISSION OF AN OFFICER OF SNAP-DIN.



## U P D A T I N G   G U I D E

MODIFIED / CHANGED PARTS Regarding Revision L of September 2006

List of added Wire Diagram from this revision:  
**EEWB508AWD**

List of corrected parts at page 5 (Item 13):  
**EAA0260D09A**  
**EAA0344G00A**  
PCN: 06G0132

## U P D A T I N G   G U I D E

MODIFIED / CHANGED PARTS Regarding Revision I of June 2006

List of updated parts on table 1221.a at page 5 (Item 5-13), accordingly with **PCN 06G0070**:

**EAA0260D51A** | **EAP0201D50A**  
**EAA0338G35A** | **EAA0260D09A**

## U P D A T I N G   G U I D E

MODIFIED / CHANGED PARTS Regarding Revision H of May 2006

PREVIOUS	1219
ACTUAL	1219.a
PCN:	-

## U P D A T I N G   G U I D E

MODIFIED / CHANGED PARTS Regarding Revision G of January 2006

List of updated tables from this revision:

**1103**  
**1103.a**

## U P D A T I N G   G U I D E

MODIFIED / CHANGED PARTS Regarding Revision F of July 2005

List of updated tables from this revision:

**1112**  
**1112.a**

List of updated parts at page 15 (Item 1-2-3-4):

**EAM0002G03A** | **EAC0060G09A** | **EAA0247G35A** | **EAA0247G36A**  
**EAA0332G28A** | **8-02040A1** | **EAA0247G34A** | **8-02040A4**

## U P D A T I N G   G U I D E

MODIFIED / CHANGED PARTS Regarding Revision E of April 2005

List of updated tables from this revision:

**1221**  
**1221.a**

List of corrected parts at page 5 (Item 13):

**EAA0260D09A**  
**EAP0201D50A**

List of changed parts at page 11 (Item 13):

**EAS2027G24A**  
**EAC0053J16A**



<b>U P D A T I N G   G U I D E</b>			
<b>MODIFIED / CHANGED PARTS Regarding Revision M of October 2006</b>			
PREVIOUS	1103.a	1221.a	
ACTUAL	1103.b	1221.b	
<b>PCN:</b>	<b>06G0127</b>	<b>06G0136</b>	
List of updated and added parts on table <b>1103.b</b> at page 15 (Item 14-16), accordingly with <b>PCN 06G0127</b> :			
<b>2-40348A</b>		<b>2-13258A</b>	
<b>2-56948A</b>			
List of added parts on table <b>1221.b</b> at page 7 (Item 25-26-27), accordingly with <b>PCN 06G0136</b> :			
<b>EAC0087G54A</b>		<b>1-9641</b>	<b>1-13404A</b>

<b>U P D A T I N G   G U I D E</b>		
<b>MODIFIED / CHANGED PARTS Regarding Revision N of December 2006</b>		
PREVIOUS	1221.b	
ACTUAL	1221.c	
<b>PCN:</b>	<b>06G0178</b>	

124-n-December-06



124-n-December-06

(BLANK PAGE)



**JBC GERMANY**

Snap-on Equipment GmbH  
Werner-von-Siemens-Str. 2  
63419 Pfungstadt - Deutschland  
Tel: +49 (0) 6157 12 600  
Fax: +49 (0) 6157 12 601  
[www.snapon-equipment.de](http://www.snapon-equipment.de)

**France**

Snap-on Equipment Ltd  
Za du Vert Galant  
15, Rue de la Guivernone, BP 7175  
95310, Saint -Ouen-L'Aumône,  
Tel: +33 (0)1 34 48 58 94  
Fax: +33 (0)1 34 48 58 70  
[www.snapon-equipment.fr](http://www.snapon-equipment.fr)

**United Kingdom**

Snap-on Equipment Ltd  
48 Sutton Park Avenue,  
Reading, RG6 1AZ, U.K.  
Tel: +44 (0)118 929 6811  
Fax: +44 (0)118 966 4369  
[www.johnbean.co.uk](http://www.johnbean.co.uk)

**Italy**

Snap-on Equipment s.r.l.  
via Prov. Carpi, 33  
42015 Correggio (RE)  
Tel: +39 0522 733600  
Fax: +39 0522 733610  
[www.snapon-equipment.it](http://www.snapon-equipment.it)

**John Bean - Customer Service****Export / Middle East**

Snap-on Equipment s.r.l. - via Prov. Carpi, 33 - 42015 Correggio (RE)  
Tel: +39 0522 733480 - Fax: +39 0522 733479 - [www.jbeg.net](http://www.jbeg.net) - [corracs@snapon.com](mailto:corracs@snapon.com)

SOE Digital Code: SP\_JBEG-B9450\_12-06\_TEEWB508A3\_RN

**b 9450**