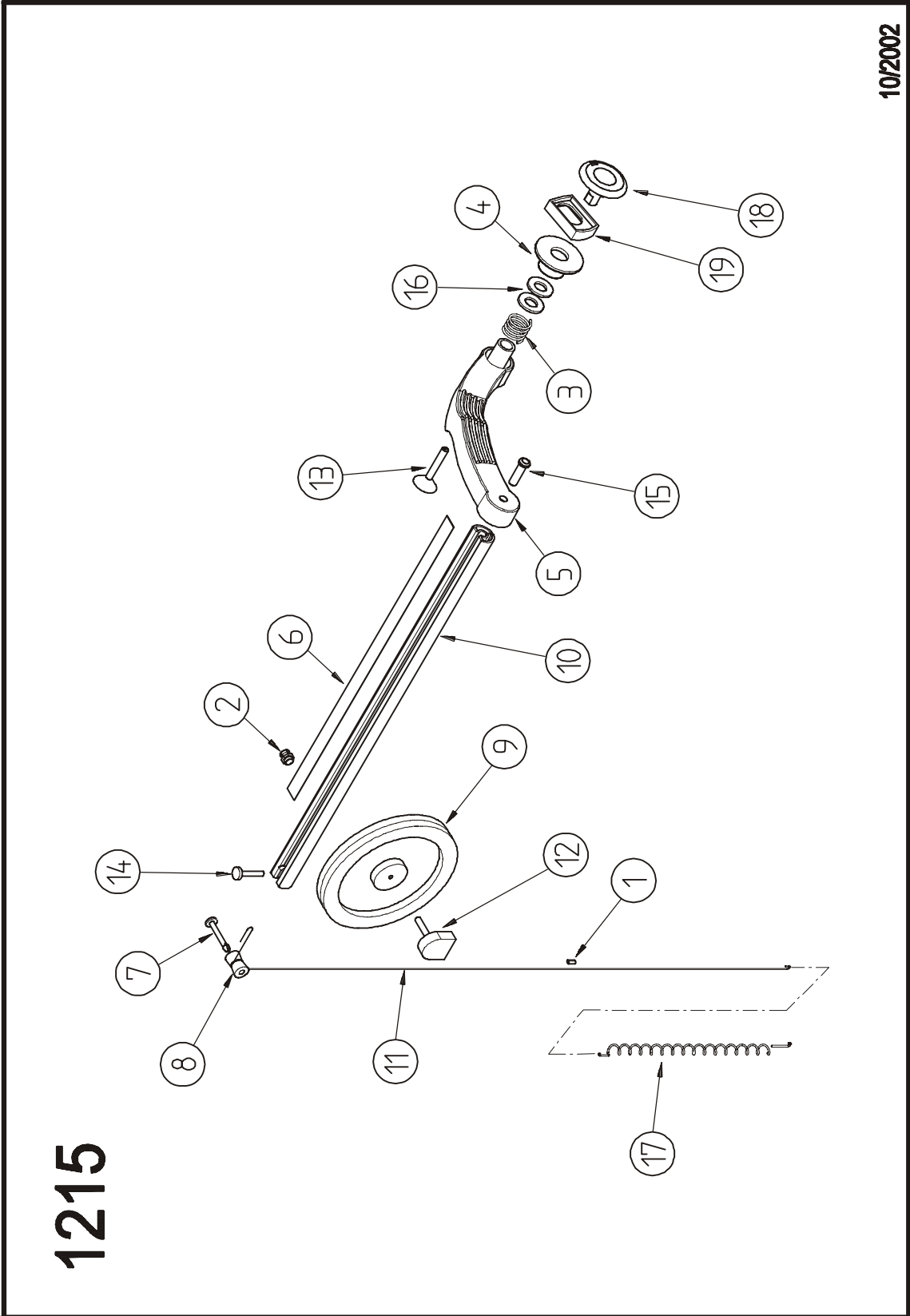




SEMI AUTOMATIC PARAMETER ENTRY (SAPE) ASSEMBLY



- NOTE -

BOLD CODES MEANS SUGGESTED SPARE PARTS

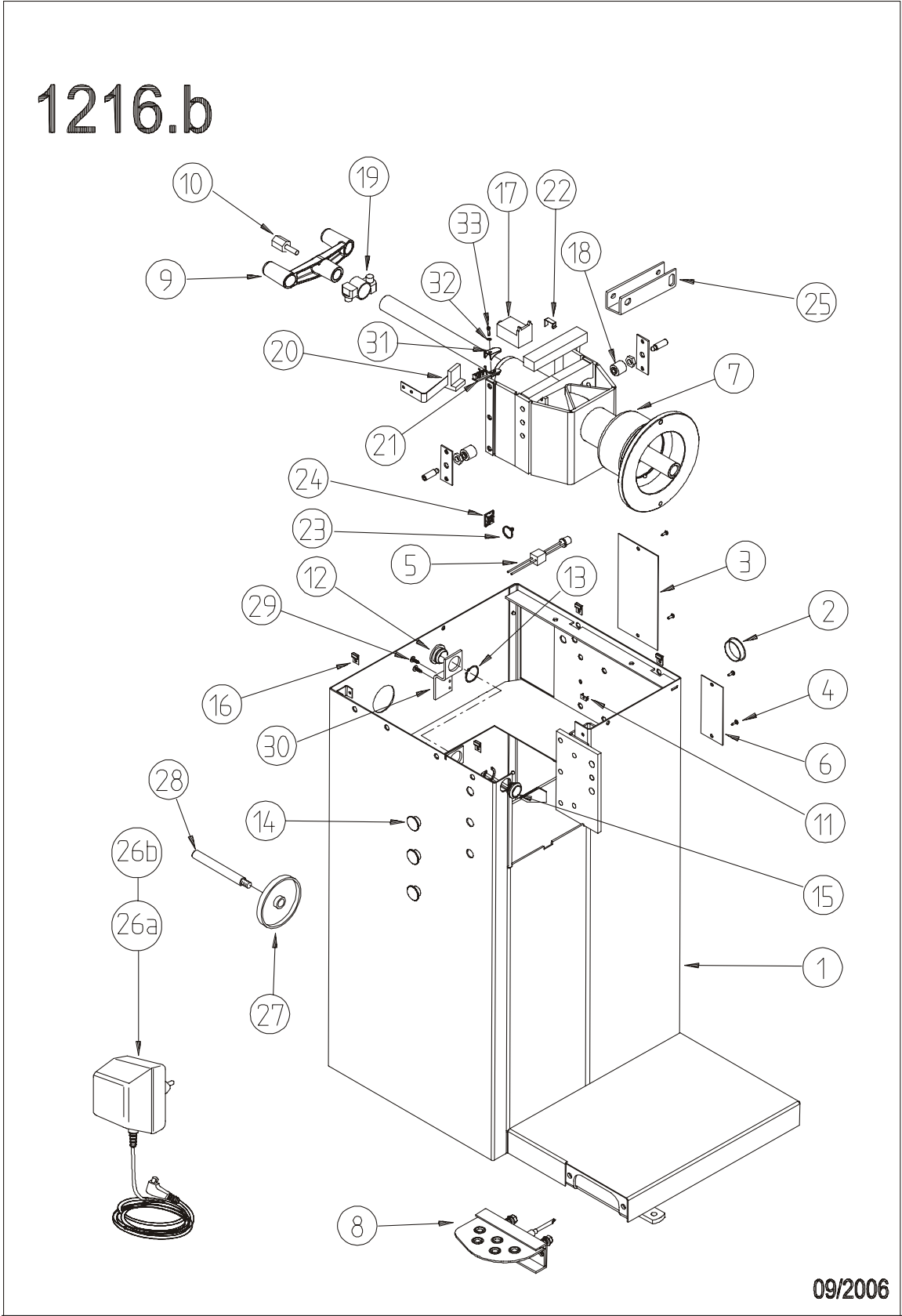


19	EAC0058D09A	WEIGHT APPLICATOR	1
18	EAC0058D11A	TOUCHING DISC	1
17	1-03267A	SPRING-EXTENSION, SAPE	1
16	1-10141A1	SPACER WASHER	2
15	1-3824	SCREW-SELF TAP, 6X12 MM	1
14	1-13609	SCREW-HHCS, M4-16X8,8	1
13	1-3624	SCREW-FHMS, 5X40 MM	1
12	<b>EAA0266D20A</b>	<b>ROTATIVE TRANSDUCER ASSY</b>	1
11	6-00404A	ROPE-HEMINGWAY DYNEEMA	1
10	EAM0005D36A	ROD-SAPE, S1	1
9	EAC0058D06A	REEL-ROPE	1
8	EAM0005D35A	REEL-GUIDING, SAPE	1
7	8-1940	PIN-PUSHIN, NYLON	1
6	EAL0345D01A	MEASURE TAPE- 1D SAPE	1
5	EAC0054P01A	EUROPEAN SAPE ARM	1
4	EAC0058D10A	CONTACT RING	1
3	1-06868A	COMPRESSION SPRING D- 145E	1
2	2-07657A	CLAMPING DEVICE WITH NUT	1
1	2-07557A	CABLE HOLDER SNAP-ON	1
Item	Part Number	Description	Qty

123-I-October-06



• S1-A CABINET ASSEMBLY



123-1-October-06



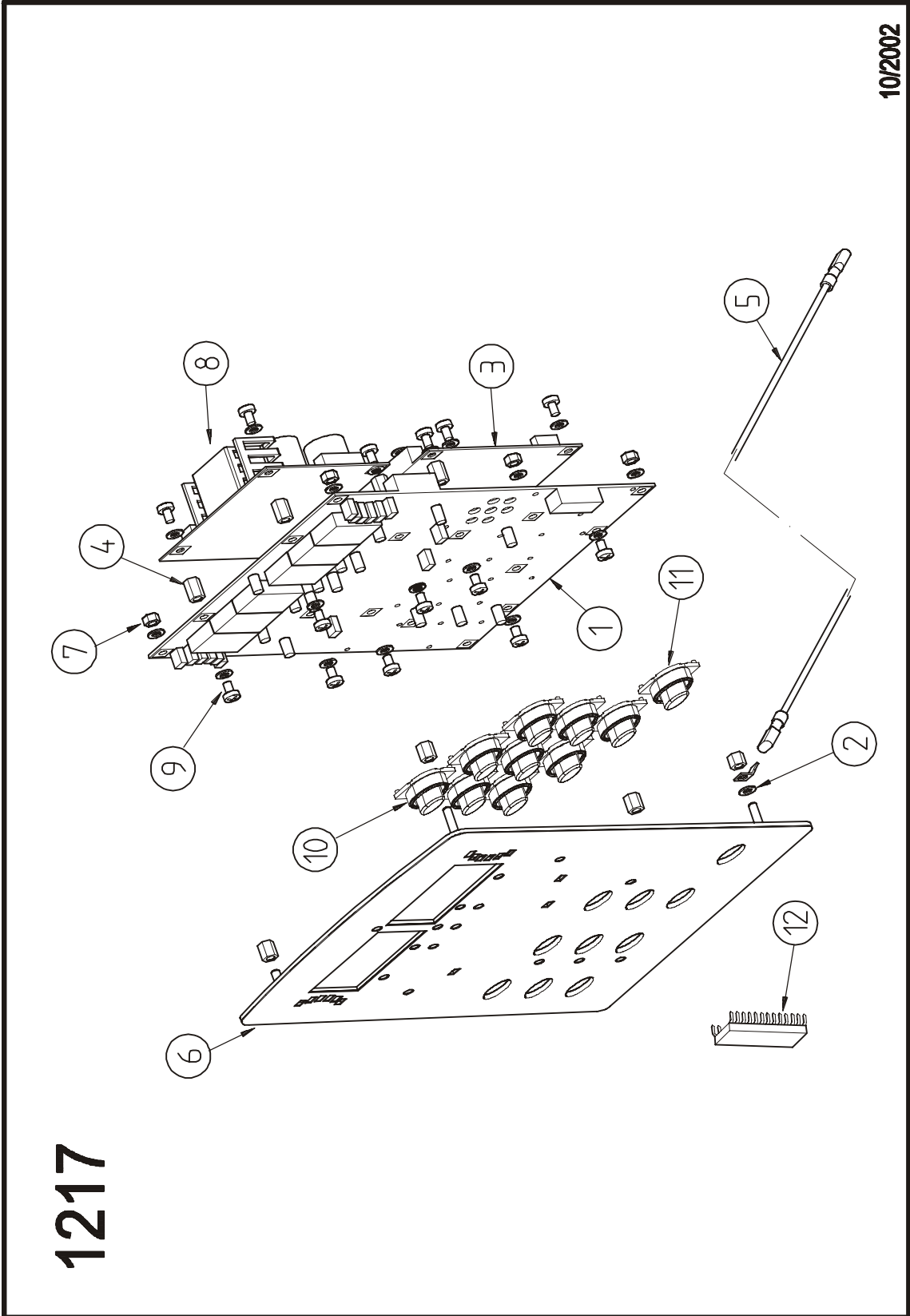
- S1-A CABINET ASSEMBLY**

33	1-3404A	SCREW - PHMS,M4X16 4.8 A2J DIN7985	1
32	1-9641	PLAIN WASHER	1
31	EAC0087G54A	ENCODER BOARD PROTECTION	1
30	EAS2067G52A	EXTENSION SAPE BRACKET	1
29	1-3724	SELF-TAPPING SCREW	2
28	EAM0006G01A	HOOK	4
27	EAC0060G02A	FLANGE GUARD	4
26B	<b>7-13001</b>	<b>PLUS-IN POWER SUPPLY EURO</b>	1
26A	<b>7-13101</b>	<b>PLUS-IN POWER SUPPLY UK</b>	1
25	EAA0260D11A	BRAKE LEVER ASSY	1
24	5-03945A	CABLE MOUNT ADHESIVE BACKED	1
23	5-845	CABLE TIE, PLASTIC	1
22	<b>EAS2025D12A</b>	<b>FASTENING TEMPERATURE SENSOR</b>	1
21	<b>EAA0344G00A</b>	<b>OPTOELECTRONIC UNIT COMPLETE WITH LENS</b>	1
20	EAA0263G26A	BRAKE ASSEMBLY	1
19	EAA0263G25A	BRAKE ASSEMBLY	1
18	<b>EAA0260D59A</b>	<b>TRANSDUCER</b>	2
17	2-09337A	SOLENOID STOP	1
16	1-6839	TINNERMAN CLIP	4
15	EAM0005D38A	BUSHING, OUTSIDE SAPE	1
14	EAC0060G00A	HOLE PLUG- 16MM	3
13	1-4577	SNAP RING- 25X1,2	2
12	EAM0005D39A	BUSHING, INSIDE SAPE	1
11	2-23201	TERMINAL, LUG	1
10	EAM0006G16A	FRENCH HANDLE BOLT	1
9	EAC0054P14A	FRENCH HANDLE- LEFT HAND CRANCK	1
8	<b>EAA0263G07A</b>	<b>JBEG BRAKE PEDAL GROUP</b>	1
7	EAA0332G65A	VIBRATOR HAND INT. FLANGE W-POLYGON RING	1
6	EAS2027G23A	SPRING CUT COVER PLATE	1
5	<b>EAW0240G08A</b>	<b>POWER INPUT CABLE- HANDSPIN</b>	1
4	1-3924	SELF TAPPING SCREW M4,8X9,5	4
3	EAS2027G22A	RETROFIT COVER PLATE	1
2	1-3176	PLUG	1
1	EAS2027G00A	S1- A CABINET (RED)	1
Item	Part Number	Description	Qty

123-1-October-06



• B9000 USER INTERFACE ASSEMBLY



123-I-October-06



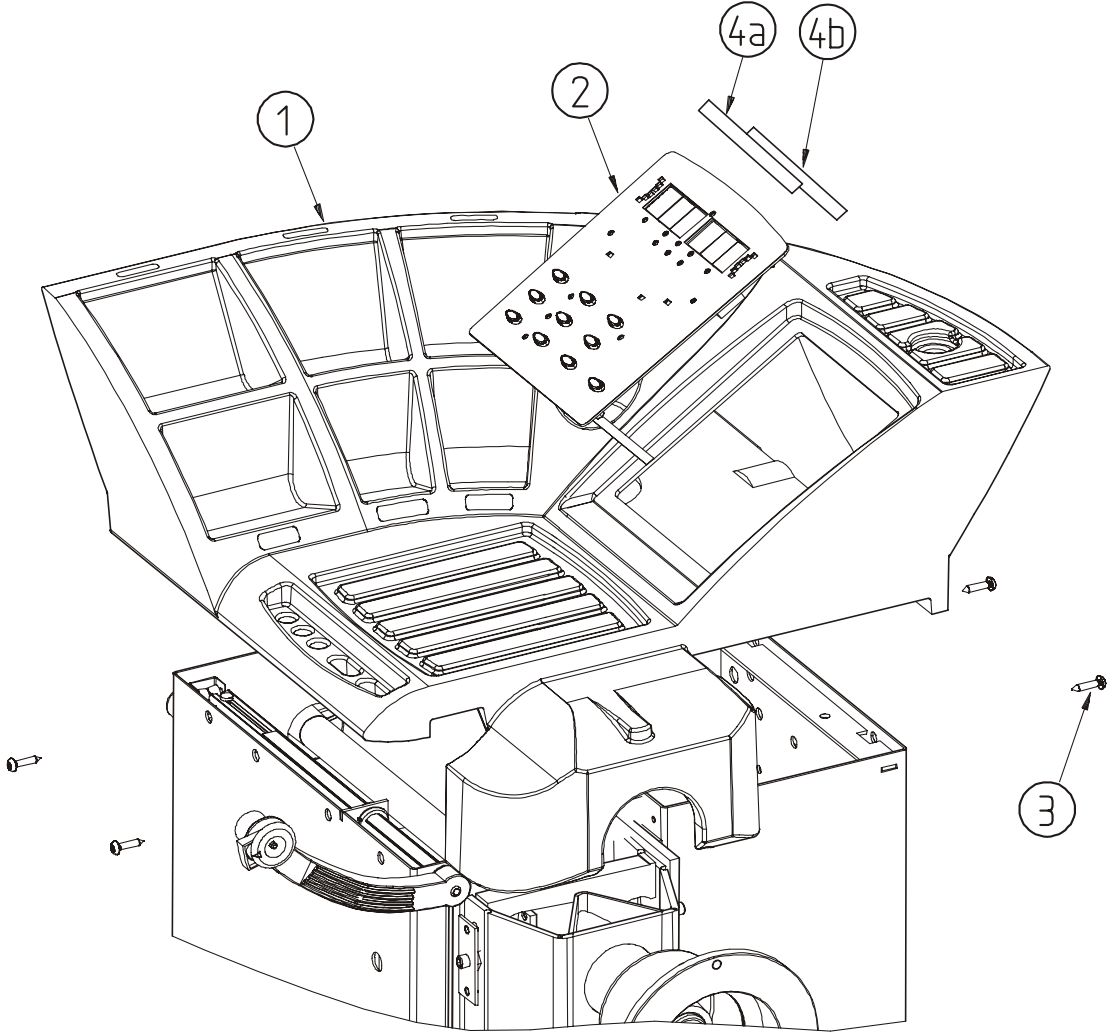
12	<b>3-00227AE1</b>	<b>MEMORY, EPROM- PROGRAMMED</b>	1
11	<b>EAC0054P02A</b>	<b>USER INTERFACE BUTTON (RED)</b>	1
10	<b>EAC0054P06A</b>	<b>USER INTERFACE BUTTON (GREY)</b>	9
9	1-19804	SCREW 4X6	16
8	<b>EAP0192P30A</b>	<b>POWER INTERFACE PCB HANDSPIN</b>	1
7	1-15833A	NUT M4	7
6	EAA0254P09A	FRONT PANEL ASSEMBLY	1
5	EAW0240G02A	EARTH CABLE ASSEMBLY	1
4	1-7861	DISTANCE	8
3	<b>EAP0201D00A</b>	<b>CONTROLLER PCB</b>	1
2	1-5547	CONTACT WASHER	23
1	<b>EAP0192P20A</b>	<b>B9000/B9450 DISPLAY PCB</b>	1
Item	Part Number	Description	Qty

123-1-October-06



• B9000 USER WEIGHT TRAY ASSEMBLY

1218



10/2002

123-1-October-06



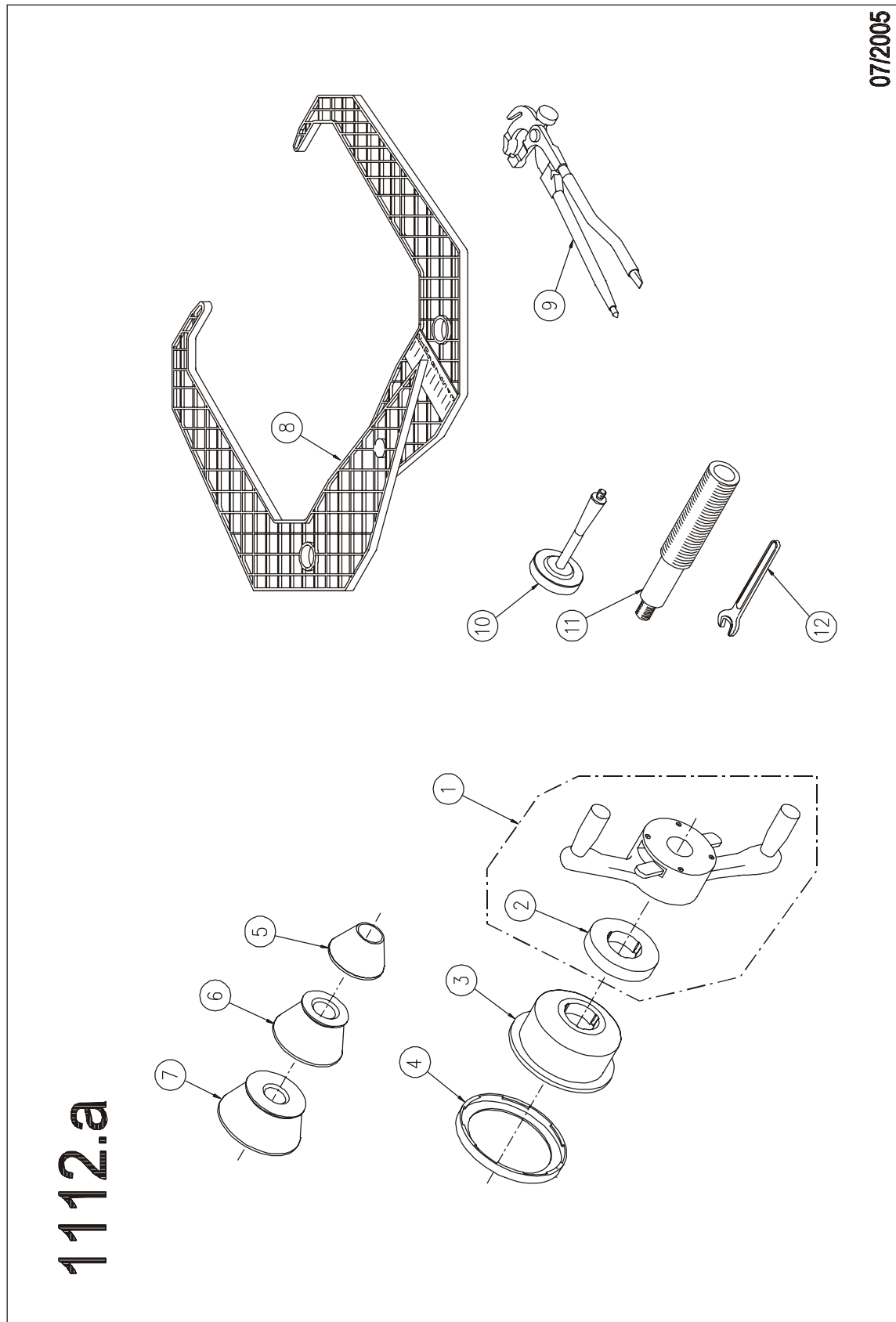


123-I-October-06

4A	5-09026A2	ADHESIVE VELCRO - HOOK (WEIGHT-TRAY)	,73mt
4B	5-09026A1	ADHESIVE VELCRO - LOOP (USER INTERFACE)	,73mt
3	1-20523	SELF TAPPING SCREW 5,5X25	4
2	<b>EAA0254P10A</b>	<b>B9000 USER INTERFACE ASSEMBLY</b>	1
1	EAC0054P00A	B9000/B9450 WEIGHT TRAY	1
Item	Part Number	Description	Qty



- B9000 ACCESSORIES ø 28,5 mm



07/2005



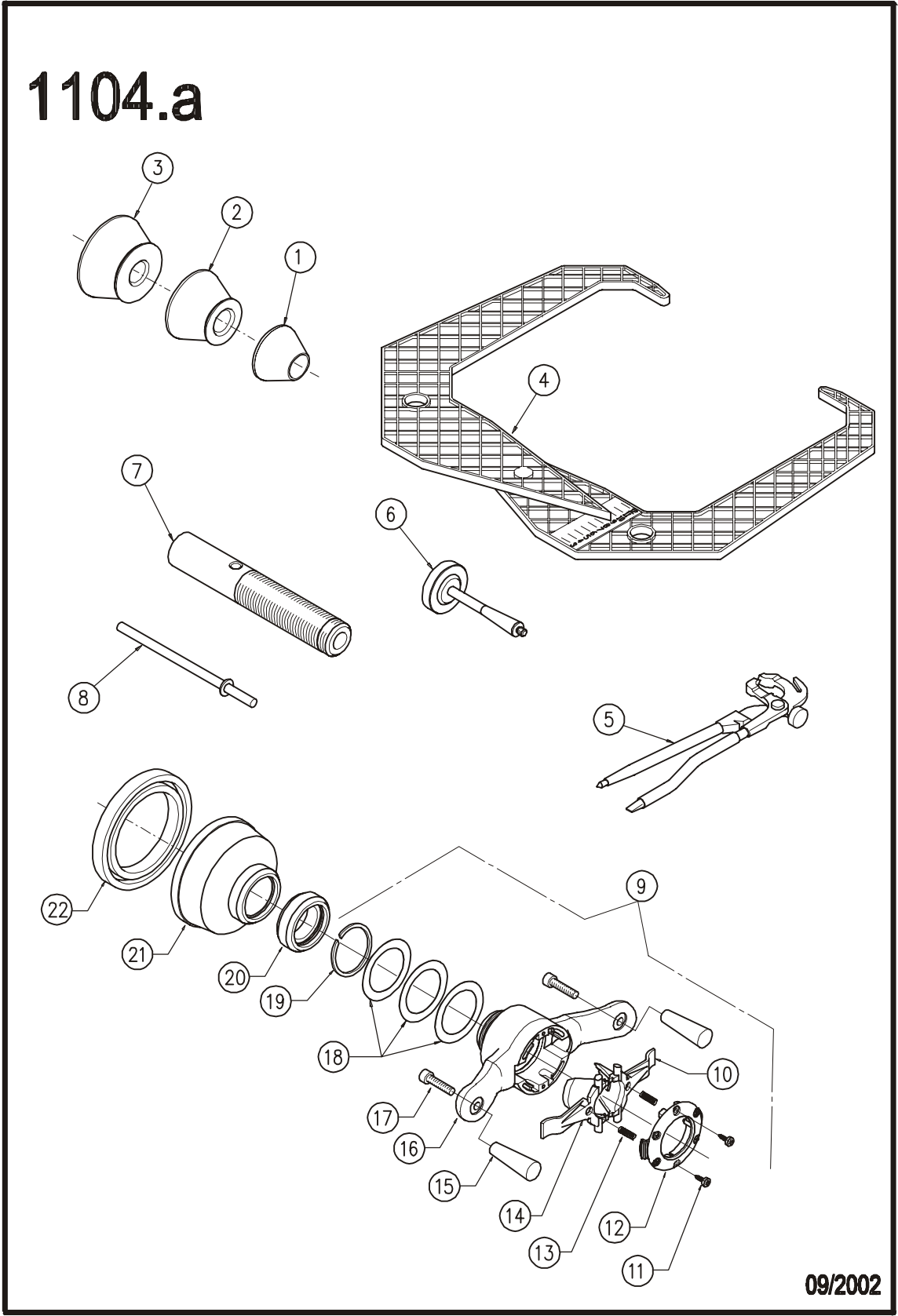
123-I-October-06

12	8-01050A	WRENCH-OPEN END (SW 19)	1
11	EAM0005D14A	TREADED SHAFT 28,5MM	1
10	<b>EAM0005D40A</b>	<b>CALIBRATION WEIGHT</b>	1
9	EAA0247G22A	WEIGHT PLIERS	1
8	EAA0247G21A	RIM WIDTH CALIPER	1
7	EAM0005D22A	CONE N.4 - 28,5MM	1
6	EAM0005D21A	CONE N.2 - 28,5MM	1
5	EAM0005D20A	CONE N.1 - 28,5MM	1
4	8-02040A4	RUBBER PROTECTION	1
3	EAA0247G34A	PLASTIC DRUM	1
2	8-02040A1	SPACER RING	1
1	EAA0332G27A	QUICKNUT D.28,5X3,5	1
Item	Part Number	Description	Qty

123-I-October-06



- B9000 ACCESSORIES ø 40 mm



1.23-1-October-06

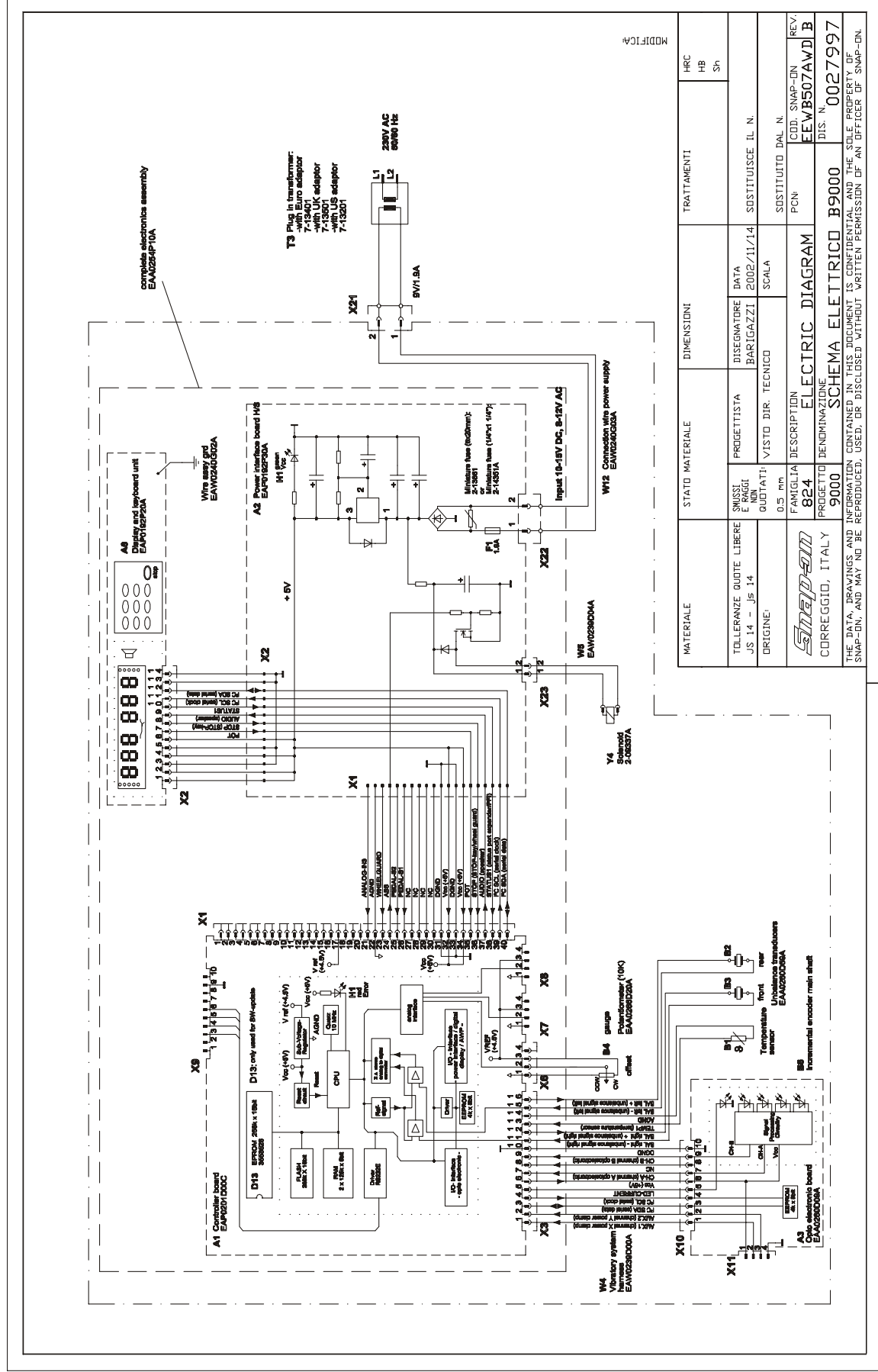
09/2002



22	EAC0058D15A	RUBBER PROTECTION RING	1
21	EAC0058D07A	PRESSURE CUP	1
20	EAC0058D08A	PRESSURE RING	1
19	1-14377A	RETAINING RING	1
18	EAC0058D18A	SHIM WASHER 52X72X0.5	3
17	1-18009A	SCREW TCEI M8X35 8.8	2
16	EAC0060G21A	QUICKNUT 40mm MAIN BODY W/HOLES	1
15	EAC0060G24A	HANDLE M8	2
14	<b>EAC0058D17A</b>	<b>CLUMPING JAW 1</b>	1
13	<b>1-07368A</b>	<b>COMPRESS.SPRING D-127 0.8X7.5X19</b>	2
12	EAC060G23A	QUICKNUT 40mm COVER DISK	1
11	1-18623A1	SCREW, SHEETMETAL 4.8X16	2
10	<b>EAC0058D16A</b>	<b>CLUMPING JAW 2</b>	1
9	EAA0263G66A	QUICKNUT, DIAM.40mm, W/HANDLES	1
8	EAA0260D61A	FASTENING ROD ASSY	1
7	EAM0005D15A	STUB SHAFT 40X4	1
6	<b>EAM0005D40A</b>	<b>CALIBRATION WEIGHT 2</b>	1
5	EAA0247G22A	PLIERS, WHEEL WEIGHTS	1
4	EAA0247G21A	CALIPER RIM WIDTH	1
3	EAM0005D25A	CONE 4 ECON D.40	1
2	EAM0005D24A	CONE 2 ECON D.40	1
1	EAM0005D23A	CONE 1 ECON D.40	1
Item	Part Number	Description	Qty

123-1-October-06





MATERIALE	STATO MATERIALE	DIMENSIONI	TRATTAMENTI	HRC
TOLLERANZE QUOTE LIBERE JS 14 - Js 14	SWISSI E RAGGI NON	DISEGNATORE DATA BASIGAZZI 2002/11/14	HB	
ORIGINE:	QUOTIATI: 0.5 mm	VISTO DIR. TECNICO	Sh	
<b>SWISSI</b>	FAMIGLIA 824	DESCRIZIONE SCALA	SOSTITUISCE IL N.	
CORREGGID, ITALY	PROGETTO BENDINAZIONE	DESCRIZIONE	SOSTITUITO DAL N.	
	9000	<b>ELECTRIC DIAGRAM</b>	COD. SNAP-DN REV.	
		<b>SCHEMA ELETRICO B9000</b>	EAWB507AWD B	
			DIS. N. 0027997	

THE DATA, DRAWINGS AND INFORMATION CONTAINED IN THIS DOCUMENT IS UNCLASSIFIED EXCEPT WHERE SHOWN OTHERWISE. THE USE OF THIS DOCUMENT IS UNLIMITED. THE DATA, DRAWINGS AND INFORMATION CONTAINED IN THIS DOCUMENT IS UNCLASSIFIED EXCEPT WHERE SHOWN OTHERWISE. THE USE OF THIS DOCUMENT IS UNLIMITED. THE DATA, DRAWINGS AND INFORMATION CONTAINED IN THIS DOCUMENT IS UNCLASSIFIED EXCEPT WHERE SHOWN OTHERWISE. THE USE OF THIS DOCUMENT IS UNLIMITED.



## U P D A T I N G   G U I D E

MODIFIED / CHANGED PARTS Regarding Revision L of October 2006

List of added parts at page 5 (Item 31-32-33), accordingly with PCN: 06G0136

**EAC0087G54A** | **1-9641** | **1-3404A**

List of updated tables from this revision:

**1216.a**  
**1216.b**  
**PCN: 06G0136**

## U P D A T I N G   G U I D E

MODIFIED / CHANGED PARTS Regarding Revision I of September 2006

List of updated parts at page 5 (Item 21):

**EAA0260D09A**  
**EAA0344G00A**  
**PCN: 06G0132**

List of added Wire Diagram at page 14:

**EEWB507AWD**

## U P D A T I N G   G U I D E

MODIFIED / CHANGED PARTS Regarding Revision H of January 2006

List of updated parts at page 5 (Item 7-21):

**EAA0260D01A** | **EAP0201D50A**  
**EAA0332G65A** | **EAA0260D09A**

## U P D A T I N G   G U I D E

MODIFIED / CHANGED PARTS Regarding Revision G of July 2005

List of updated tables from this revision:

**1112**  
**1112.a**

List of updated parts at page 11 (Item 1-2-3-4):

**EAM0002G03A** | **EAC0060G09A** | **EAA0247G35A** | **EAA0247G36A**  
**EAA0332G27A** | **8-02040A1** | **EAA0247G34A** | **8-02040A4**

## U P D A T I N G   G U I D E

MODIFIED / CHANGED PARTS Regarding Revision F of April 2005

List of updated tables from this revision:

**1216**  
**1216.a**

List of updated parts at page 5 (Item 21):

**EAA0260D09A**  
**EAP0201D50A**



**JBC GERMANY**

Snap-on Equipment GmbH  
Werner-von-Siemens-Str. 2  
63419 Pfungstadt - Deutschland  
Tel: +49 (0) 6157 12 600  
Fax: +49 (0) 6157 12 601  
[www.snapon-equipment.de](http://www.snapon-equipment.de)

**France**

Snap-on Equipment France  
Za du Vert Galant  
15, Rue de la Guivernone, BP 7175  
95310, Saint -Ouen-L'Aumône,  
Tel: +33 (0)1 34 48 58 94  
Fax: +33 (0)1 34 48 58 70  
[www.snapon-equipment.fr](http://www.snapon-equipment.fr)

**United Kingdom**

UK Equipment Ltd  
48 Sutton Park Avenue,  
Reading, RG6 1AZ, U.K.  
Tel: +44 (0)118 929 6811  
Fax: +44 (0)118 966 4369  
[www.johnbean.co.uk](http://www.johnbean.co.uk)

**Italy**

Snap-on Equipment s.r.l.  
via Prov. Carpi, 33  
42015 Correggio (RE)  
Tel: +39 0522 733600  
Fax: +39 0522 733610  
[www.snapon-equipment.it](http://www.snapon-equipment.it)

**John Bean - Customer Service****Export / Middle East**

Snap-on Equipment s.r.l. - via Prov. Carpi, 33 - 42015 Correggio (RE)  
Tel: +39 0522 733480 - Fax: +39 0522 733479 - [www.jbeg.net](http://www.jbeg.net) - [corracs@snapon.com](mailto:corracs@snapon.com)

SOE Digital Code: SP\_JBEG-B9000\_10-06\_TEEWB507A3\_RL

**b 9000**