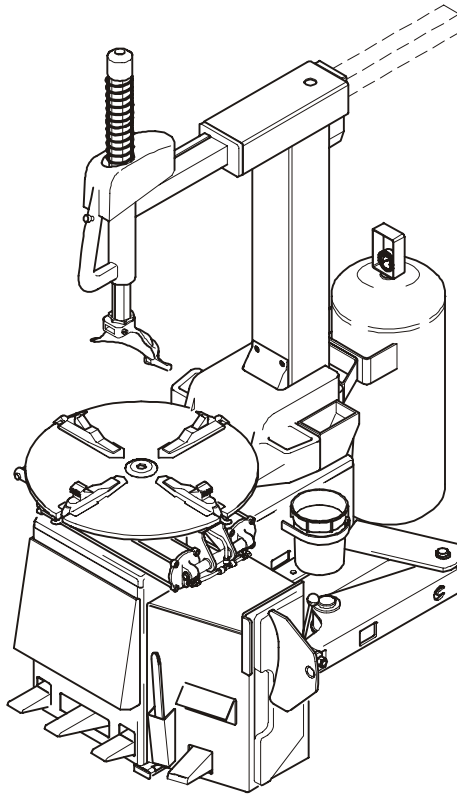




Electro Pneumatic Tire Changer



T 4500/BS/115

Spare Parts

TEEWH510A3 Rev. L October 07



U P D A T I N G G U I D E

MODIFIED / CHANGED PARTS Regarding Revision B of May 2004 List of updated tables from this revision:	1075a 1075.b	816 816.a	8281 29867
--	----------------------------	-------------------------	--------------------------

MODIFIED / CHANGED PARTS Regarding Revision B of June 2004 List of updated tables from this date:	1301 1301.a
---	---------------------------

MODIFIED / CHANGED PARTS Regarding Revision C of November 2004 List of Added/Updated tables from this revision:				List of added diagrams from this revision:		
N.A. 1208	N.A. 1204	N.A. 1203	390.a 390.b	26693	8281	9017

MODIFIED / CHANGED PARTS Regarding Revision D of September 2005 List of Added/Updated tables from this revision:							
357.a 1501	390.b 390.c	816.a 1503	1072.a 1072.b	1075.c 1520	1076.a 1516	1078.a 1078.b	1079 1079.a

MODIFIED / CHANGED PARTS Regarding Revision E of May 2006 List of Added/Updated tables from this revision:				List of added diagrams from this revision:			
REMOVED	=	=	1503	8501	390.e	=	
ADDED	1075.c	1076.a	1503.b	1501.b	390.d	0031427	
BY PCN:	=	=	06G0031	06G0031	06G0030	05G0205	

MODIFIED / CHANGED PARTS Regarding Revision F of September 2006 List of Added/Updated tables from this revision:	
REMOVED	1072.b
ADDED	1072.c
BY PCN:	06G0093

MODIFIED / CHANGED PARTS Regarding Revision F2 of October 2006 List of Added/Updated tables from this revision:	
REMOVED	
UPDATED	1072.c
BY PCN:	Uncorrect code replaced

MODIFIED / CHANGED PARTS Regarding Revision F1 of October 2006 List of Added/Updated tables from this revision:	
REMOVED	4516
ADDED	1516.a
BY PCN:	Uncorrect code replaced

From Revision G:	April	2007
TABLE 1071.c replace TABLE 1071.b accordingly to PCN 06G0176 / 06G0181 on PAGE 4		

From Revision H:	May	2007
TABLE 1071.d replace TABLE 1071.c accordingly to PCN 07G0006 / 07G0036 on PAGE 4 TABLE 1605 replace TABLE 1072.c accordingly to PCN 07G0006 / 07G0036 on PAGE 5		

150-I-October-07



From **Revision I:** August 2007
DIAGRAM EEWH603AWD_C replaces EEWH603AWD_A accordingly to PCN 07G0099 on PAGE 35

From **Revision L:** October 2007
TABLE **1520.a** replaces *TABLE 1520* accordingly to PCN 07G0075 on PAGE 12

150-I-October-07

B L A N K P A G E



150-I-October-07

BLANK PAGE

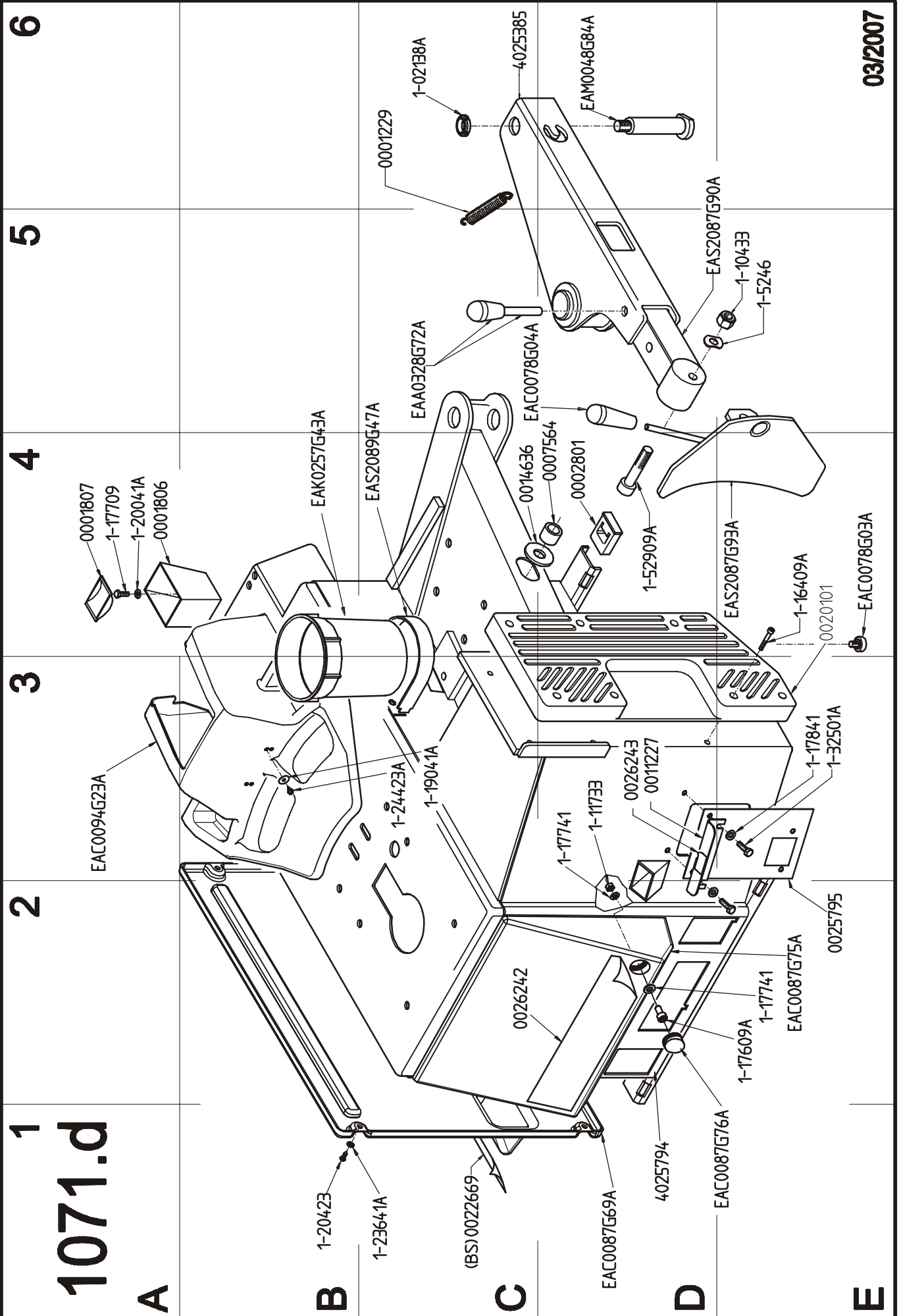


150-I-October-07

THIS PART IS FOR EXCLUSIVE USE OF QUALIFIED PERSONNEL FOR MAINTENANCE AND SERVICE PURPOSES.

- ◆ **On order specify:** type of machine and serial number item code and quantity.

0000000 - BOLD TYPE CODES MEANS: SUGGESTED SPARE PARTS



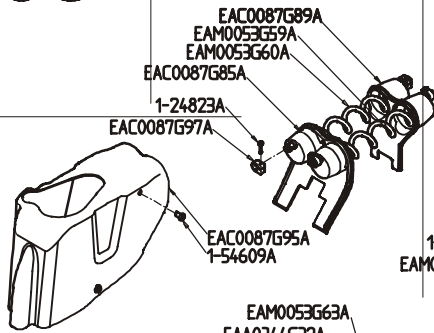
03/2007

150-I-October-07

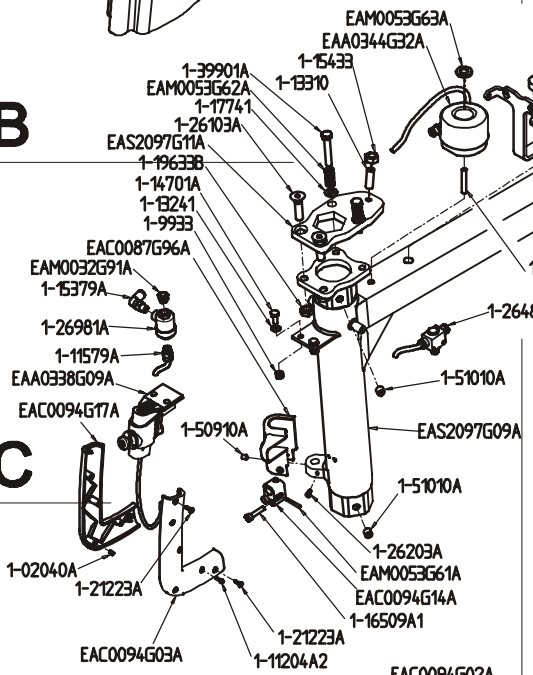


1605

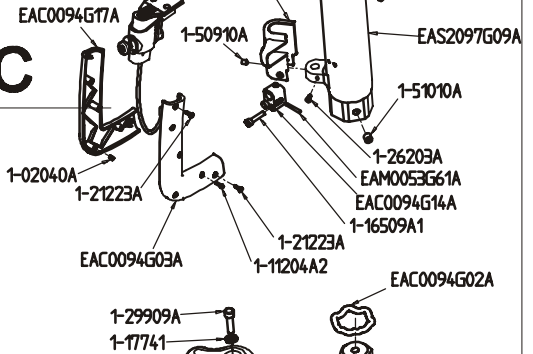
A



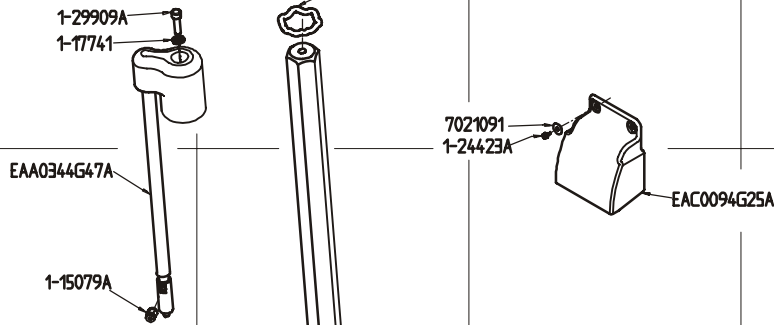
B



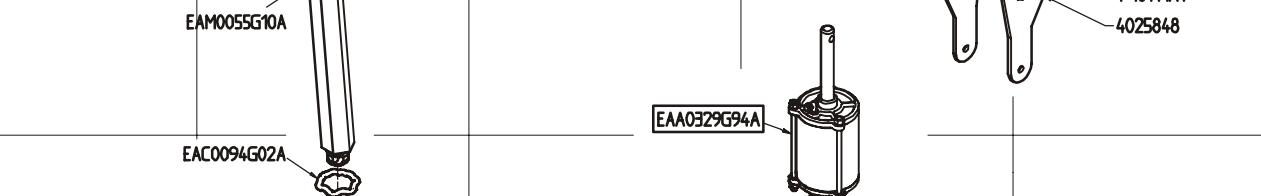
C



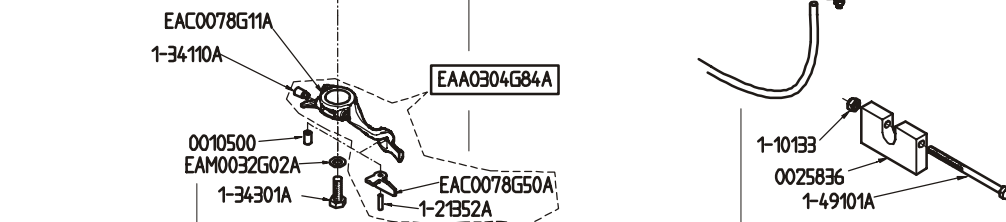
D



E



F



03/2007

150-I-October-07



6

5

4

3

2

1

828.a

A

B

C

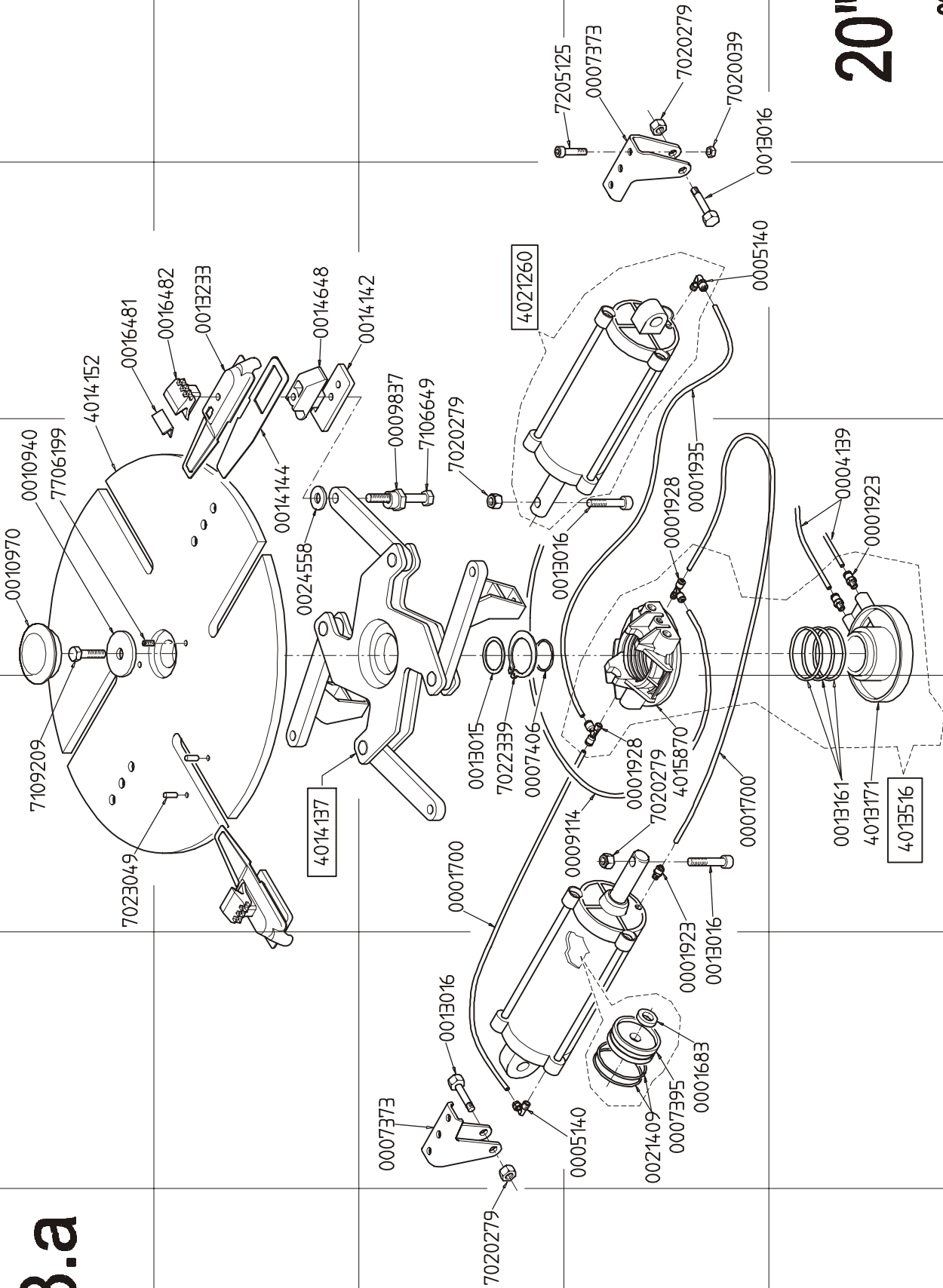
D

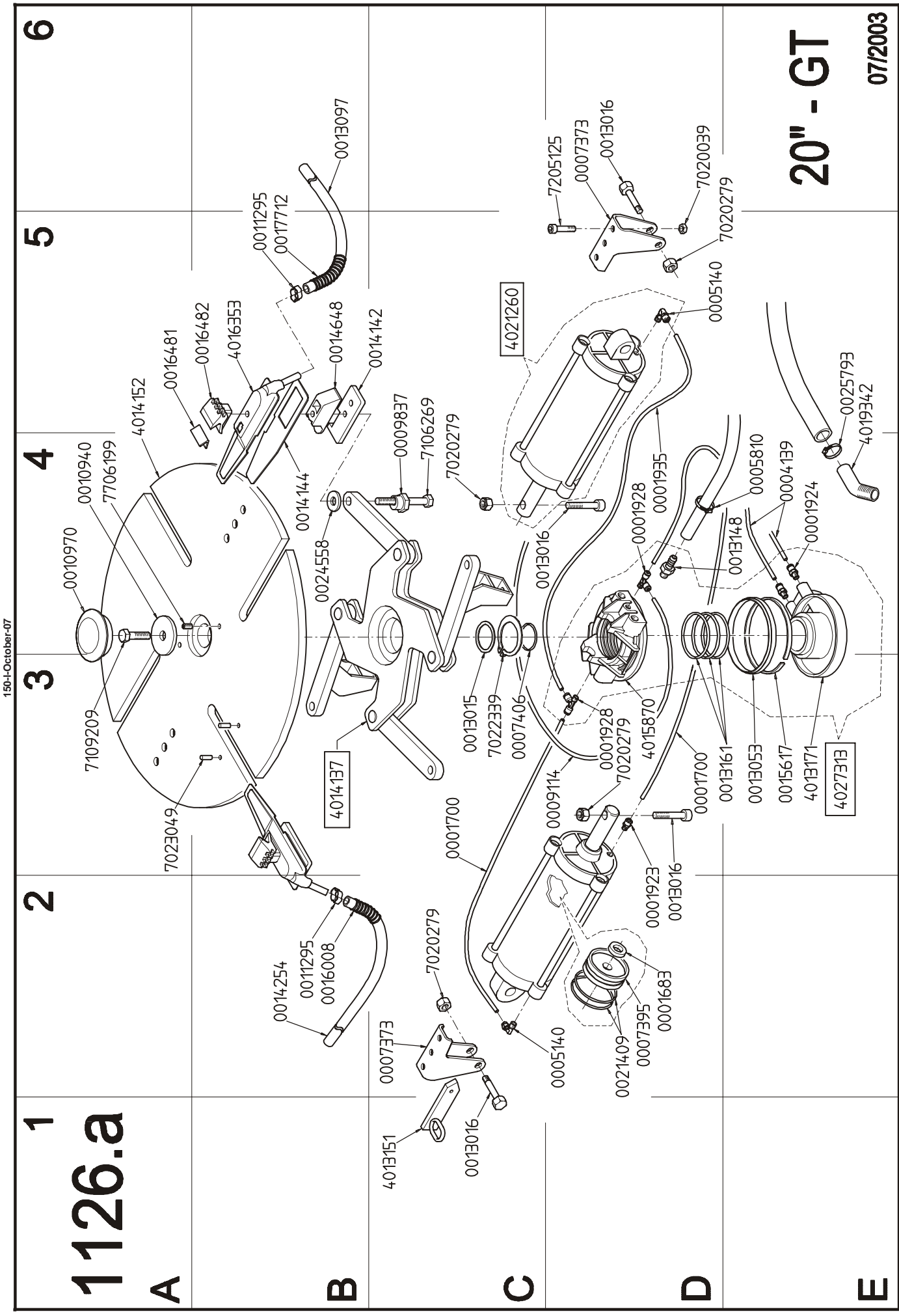
E

20"

08/2000

150-H-October-07



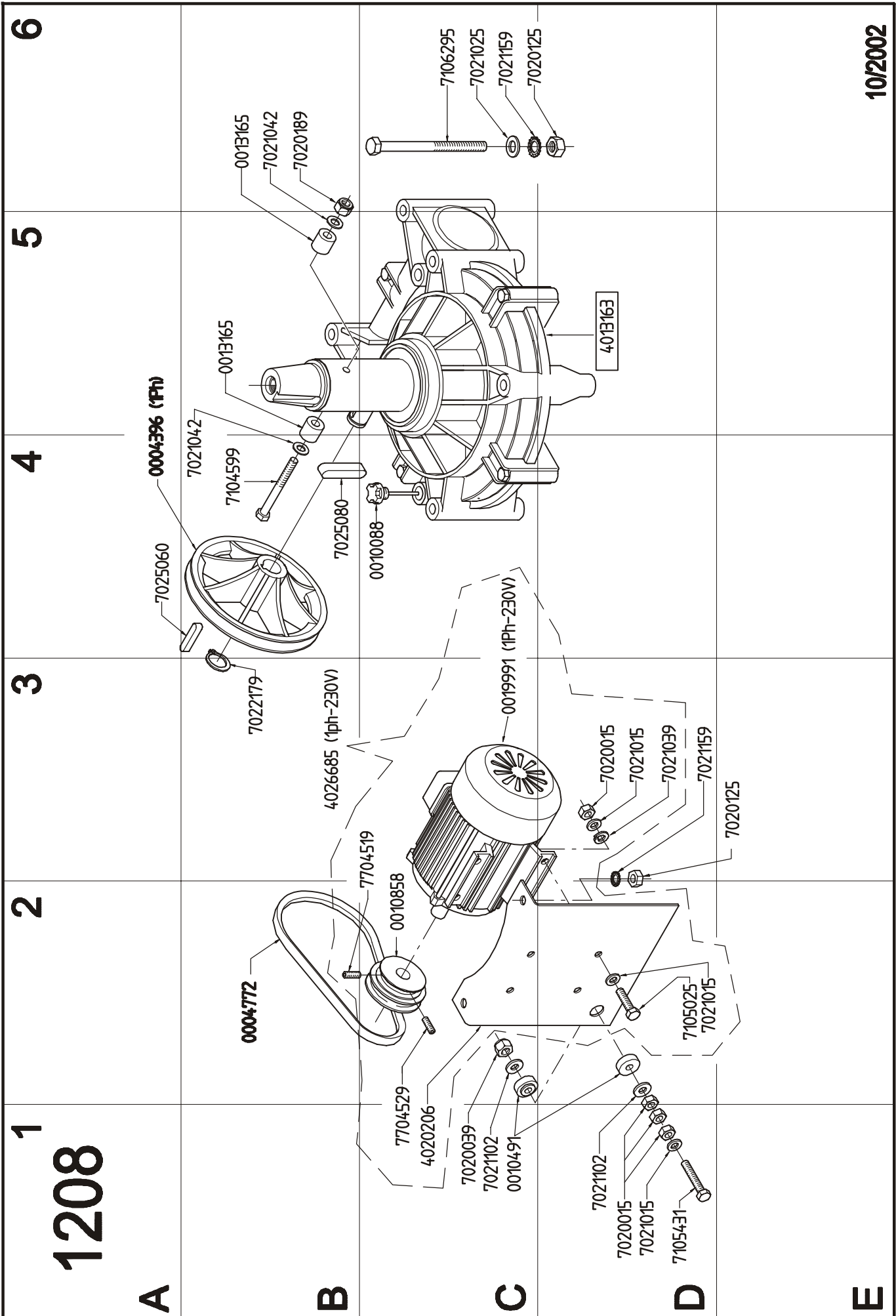


20" - GT

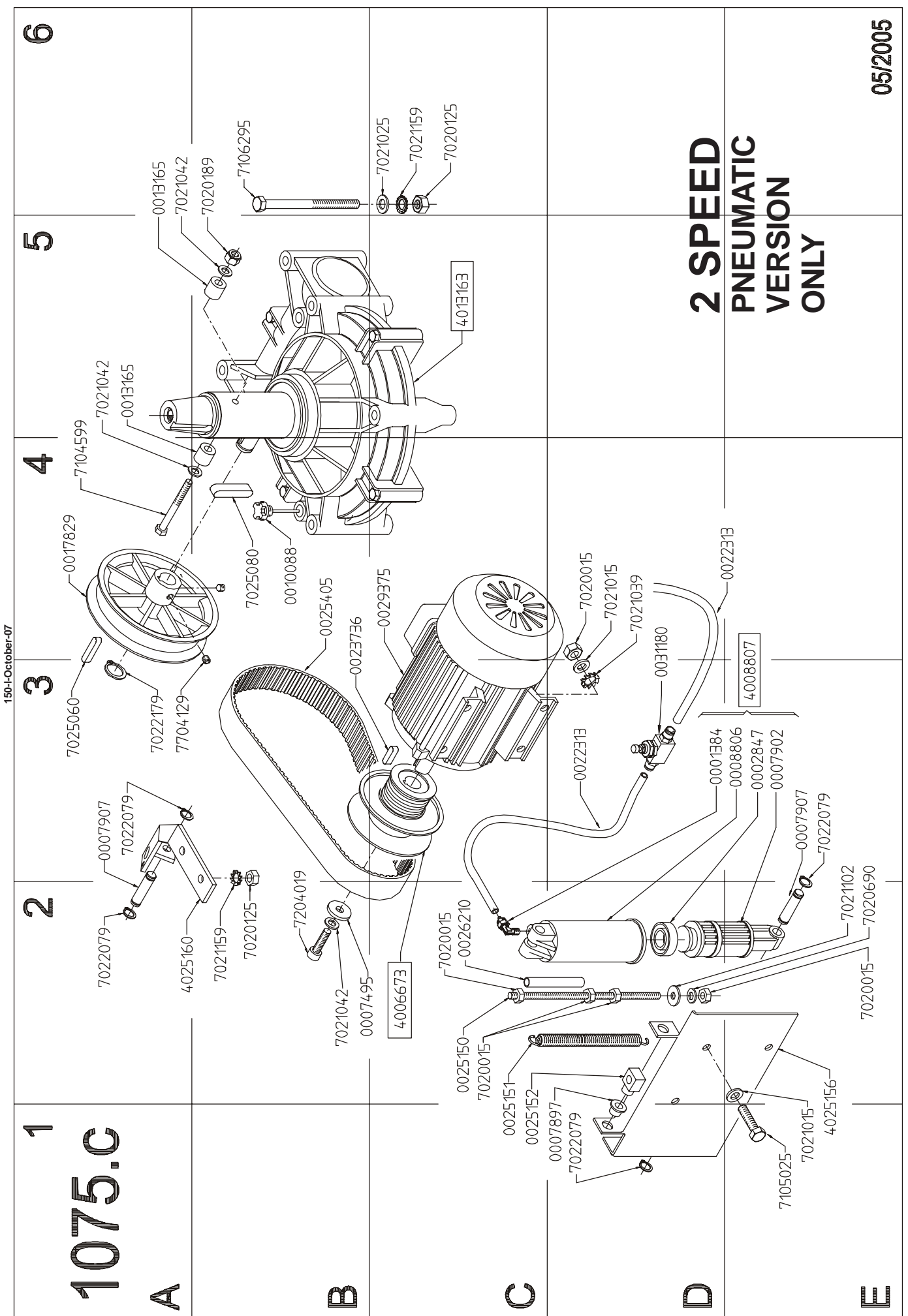
07/2003

150-I-October-07

1
1126.a



150-H-October-07



05/2005

150-I-October-07



6

5

4

3

2

1

1520.a

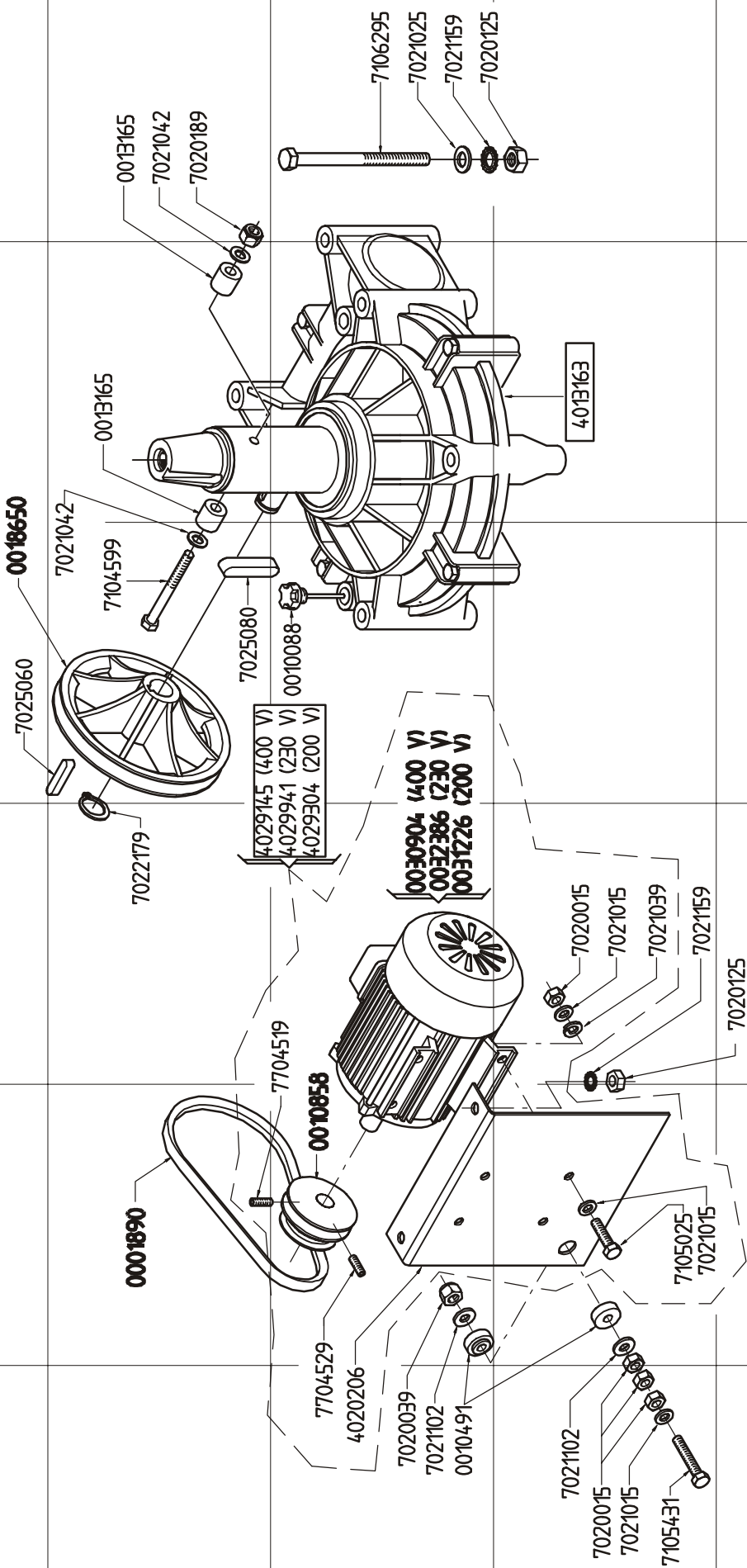
A

B

C

D

E



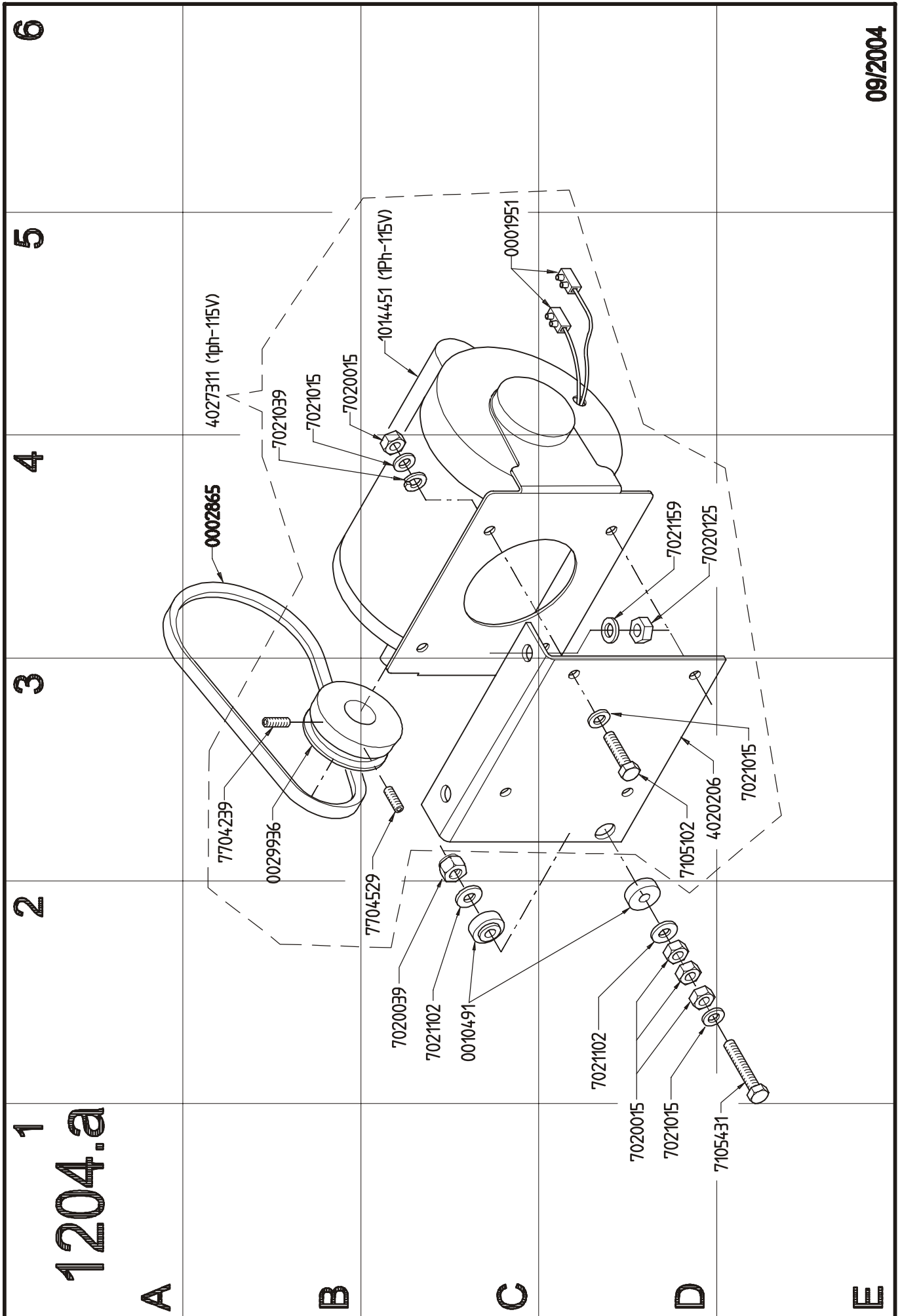
2-SPEED

07/2007

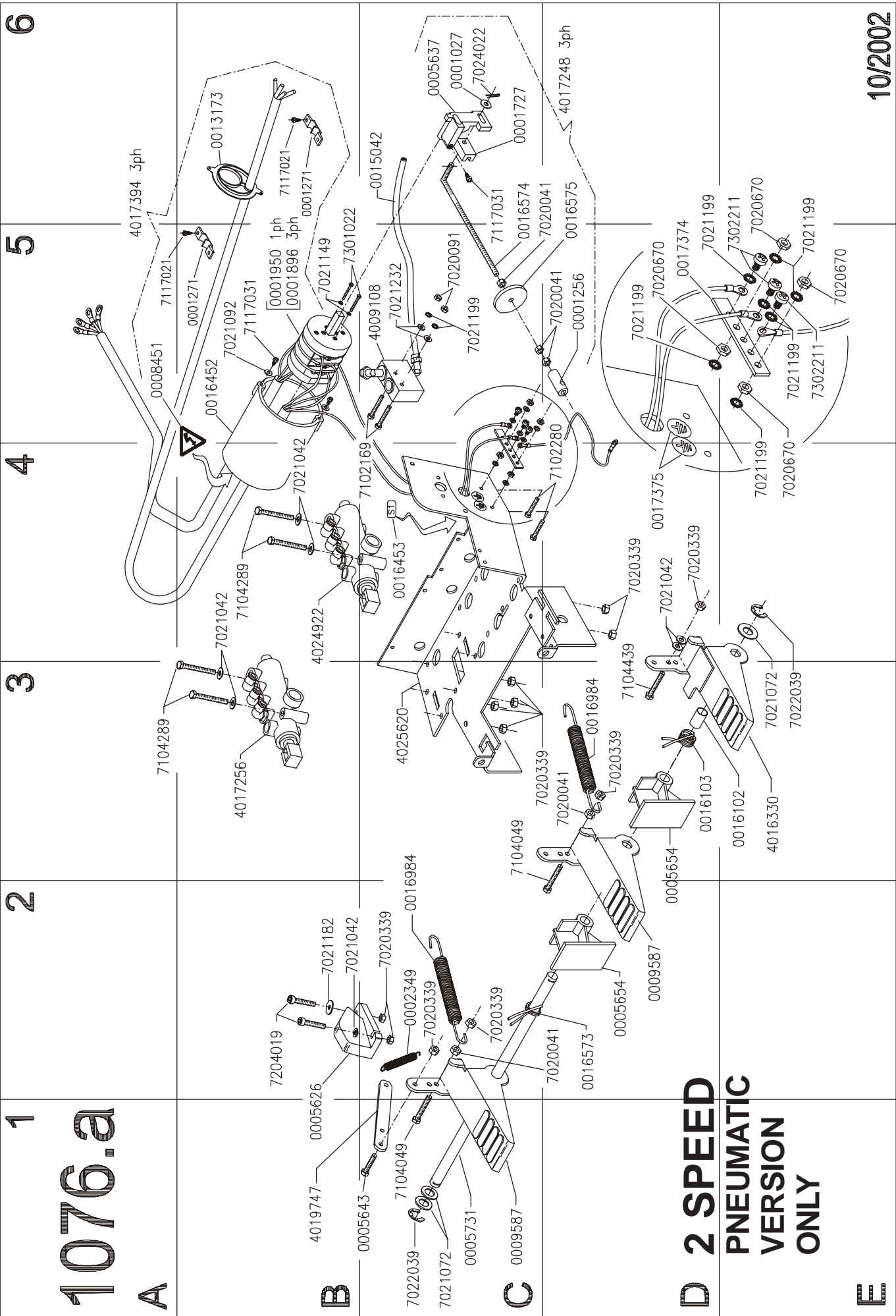
150-I-October-07



150-I-October-07



09/2004



150-H-October-07



6

5

4

3

2

1

1516.a

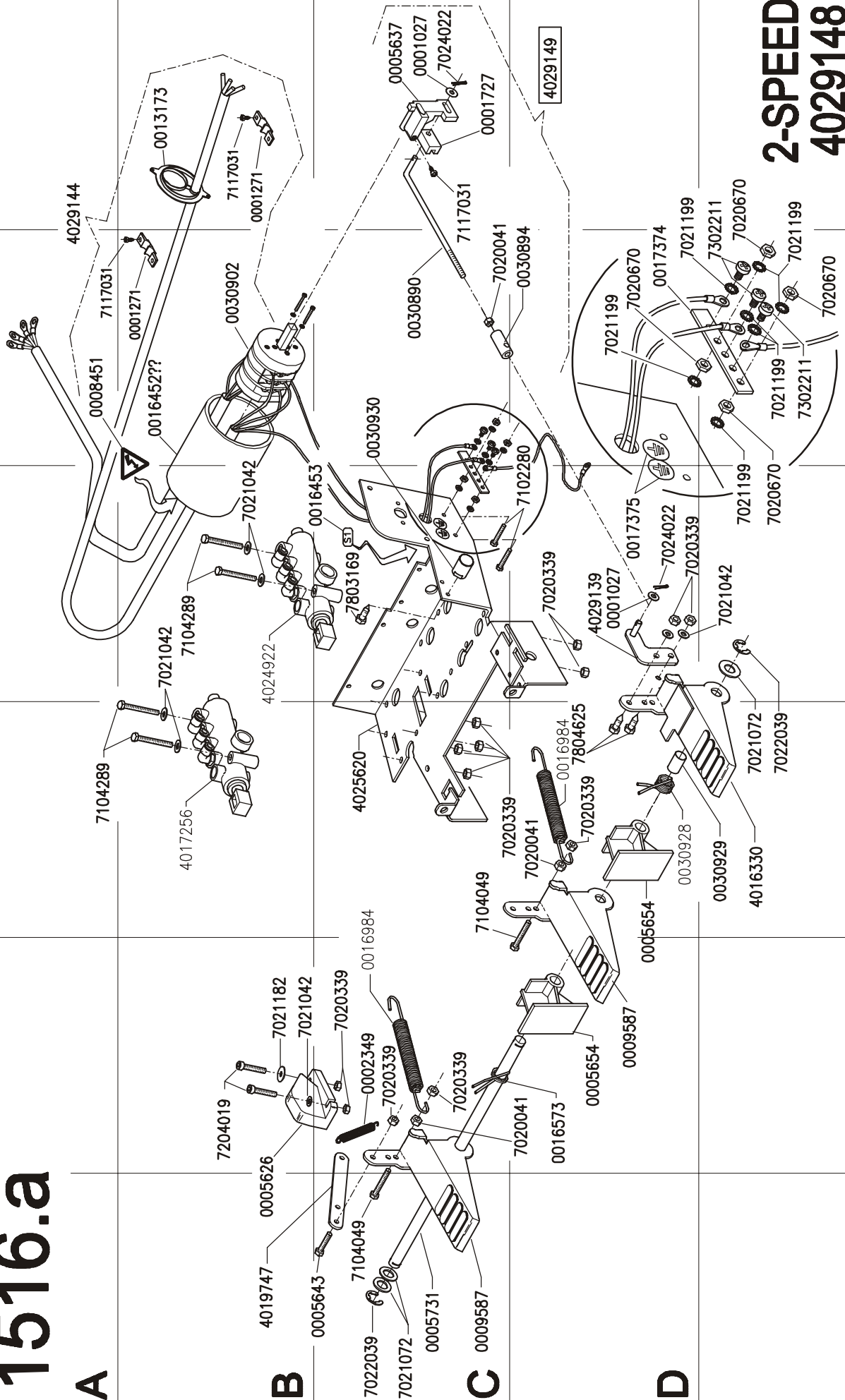
A

B

C

D

E



2-SPEED 4029148 10/2006

150-I-October-07



6

5

4

3

2

1

1203.a

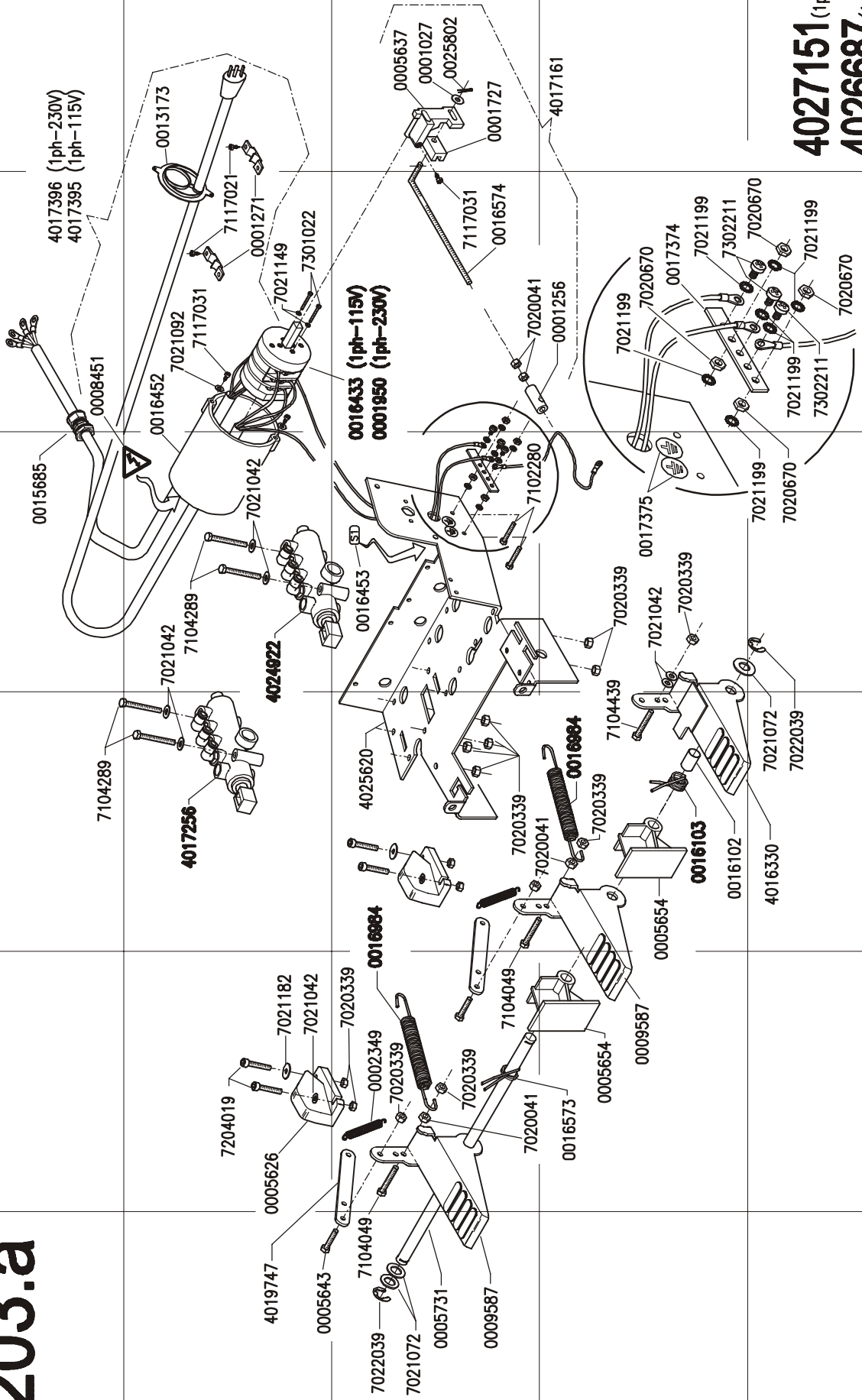
A

B

C

D

E



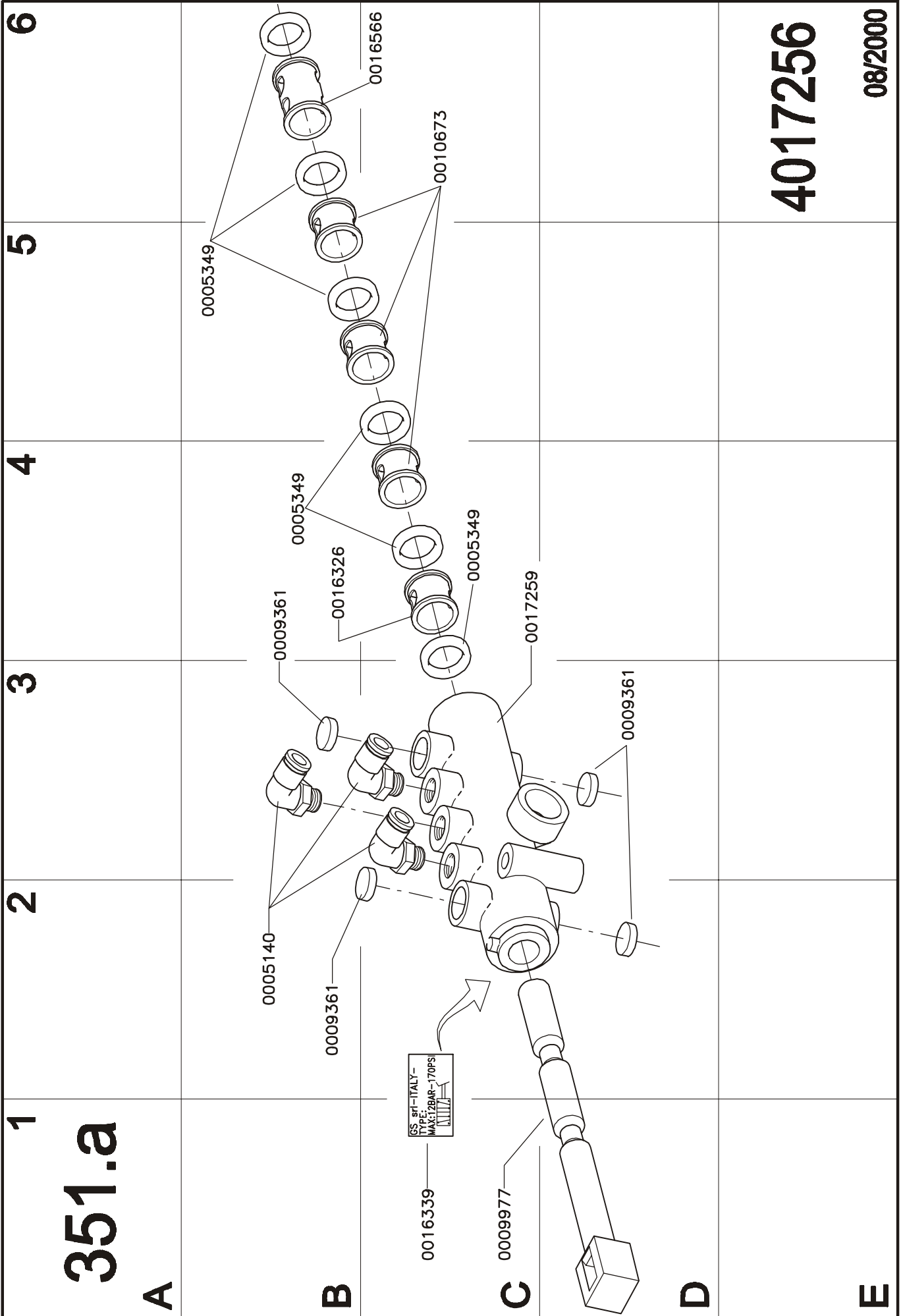
4027151 (1ph-115V)
4026687 (1ph-230V)

08/2003

150-October-07

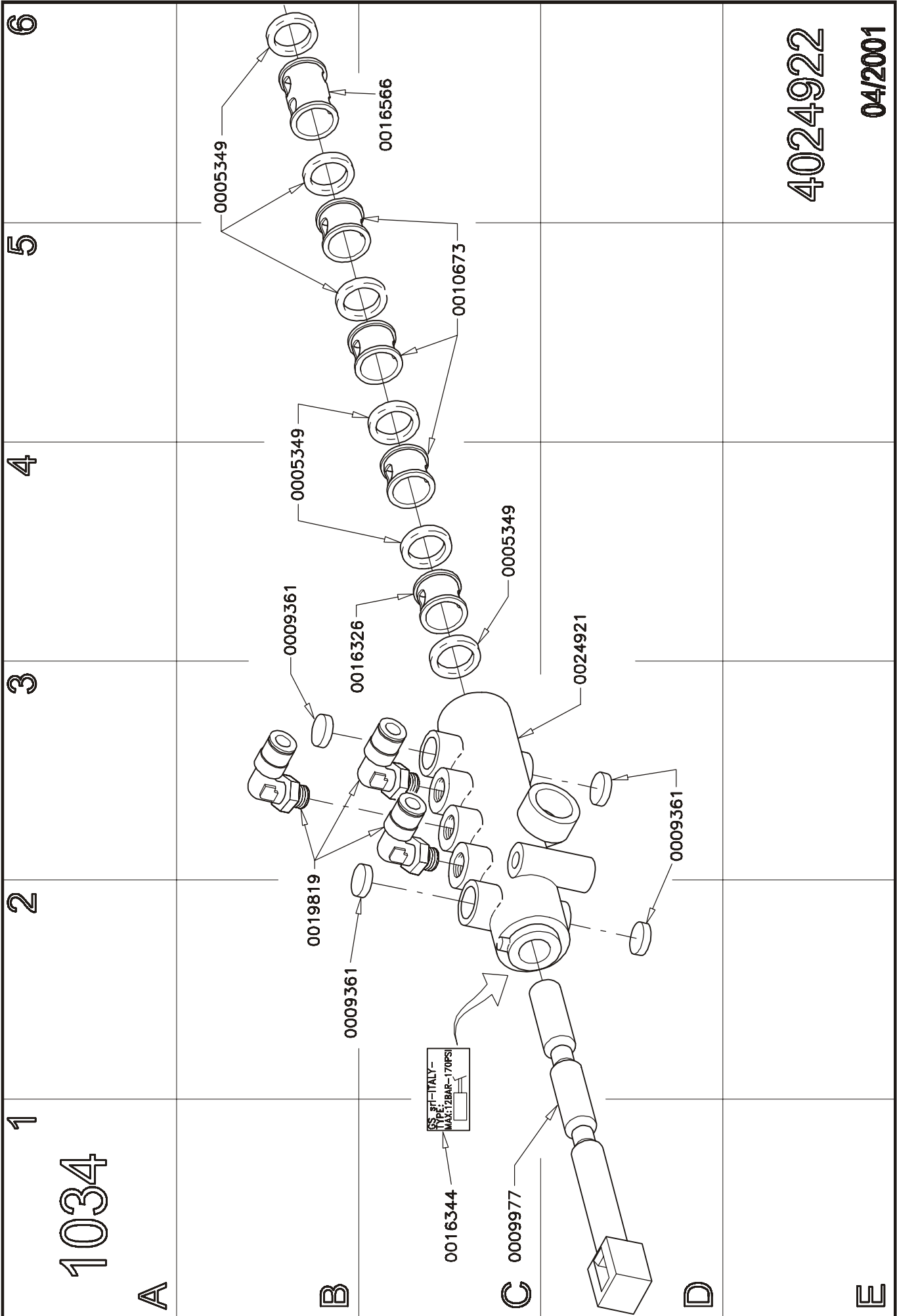


150-I-October-07



4017256

08/2000



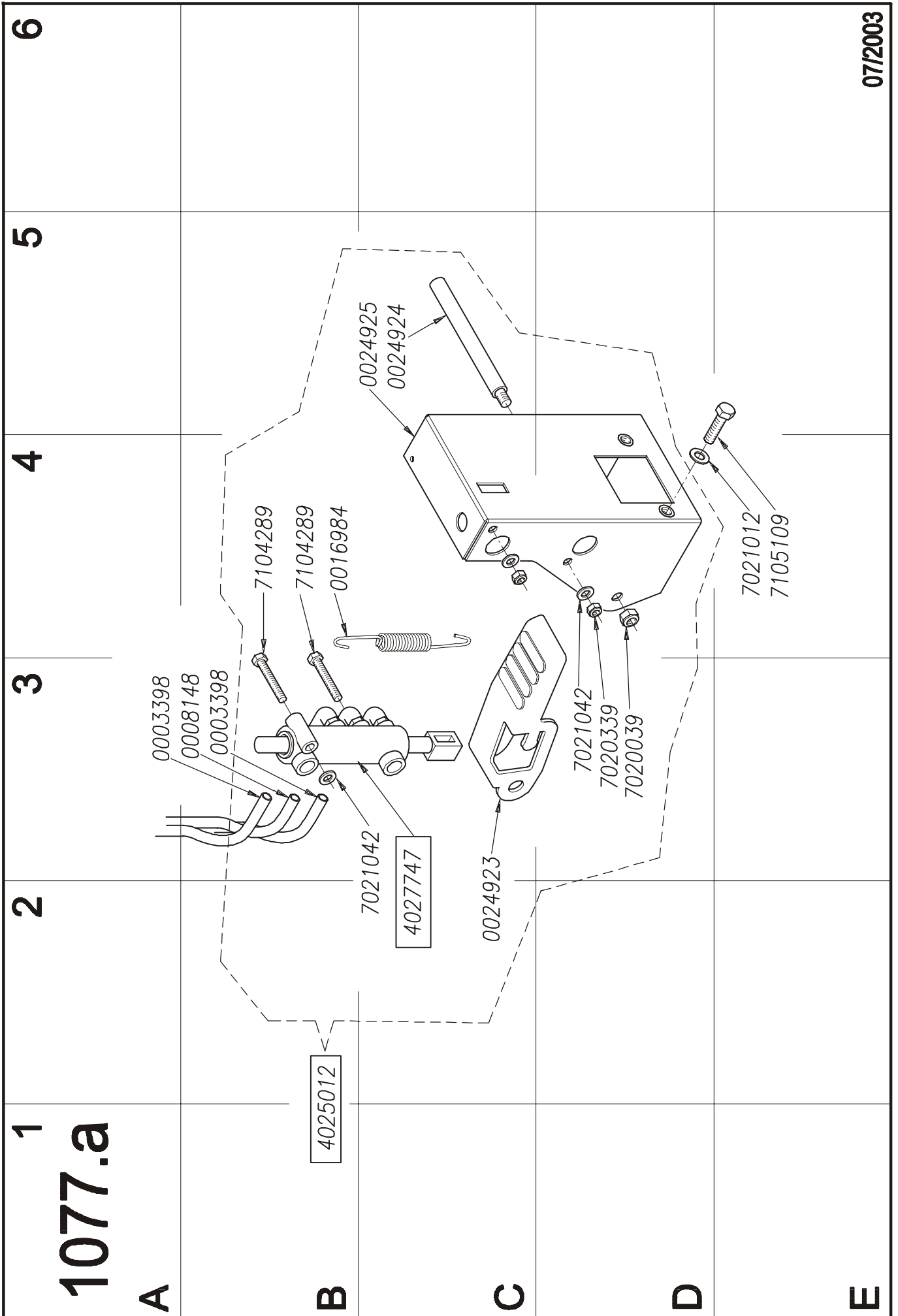
4024922

04/2001

150-H-October-07



150-I-October-07





6

5

4

3

2

1

1300

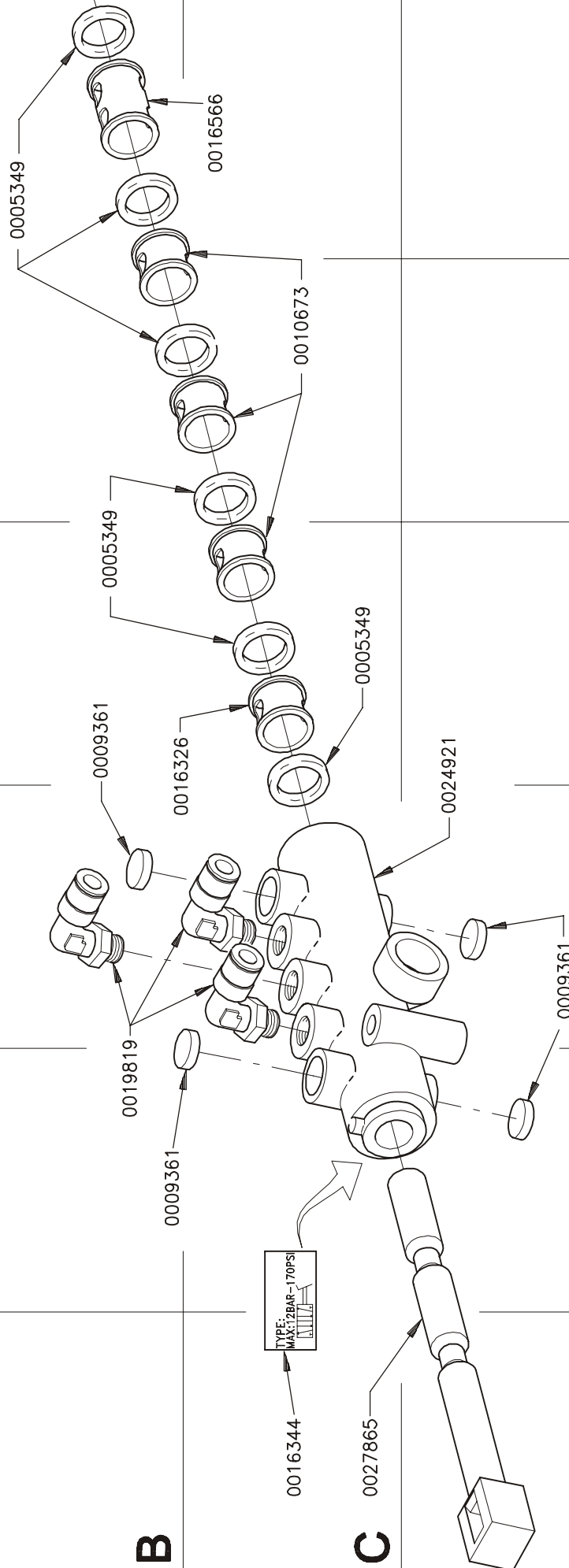
A

B

C

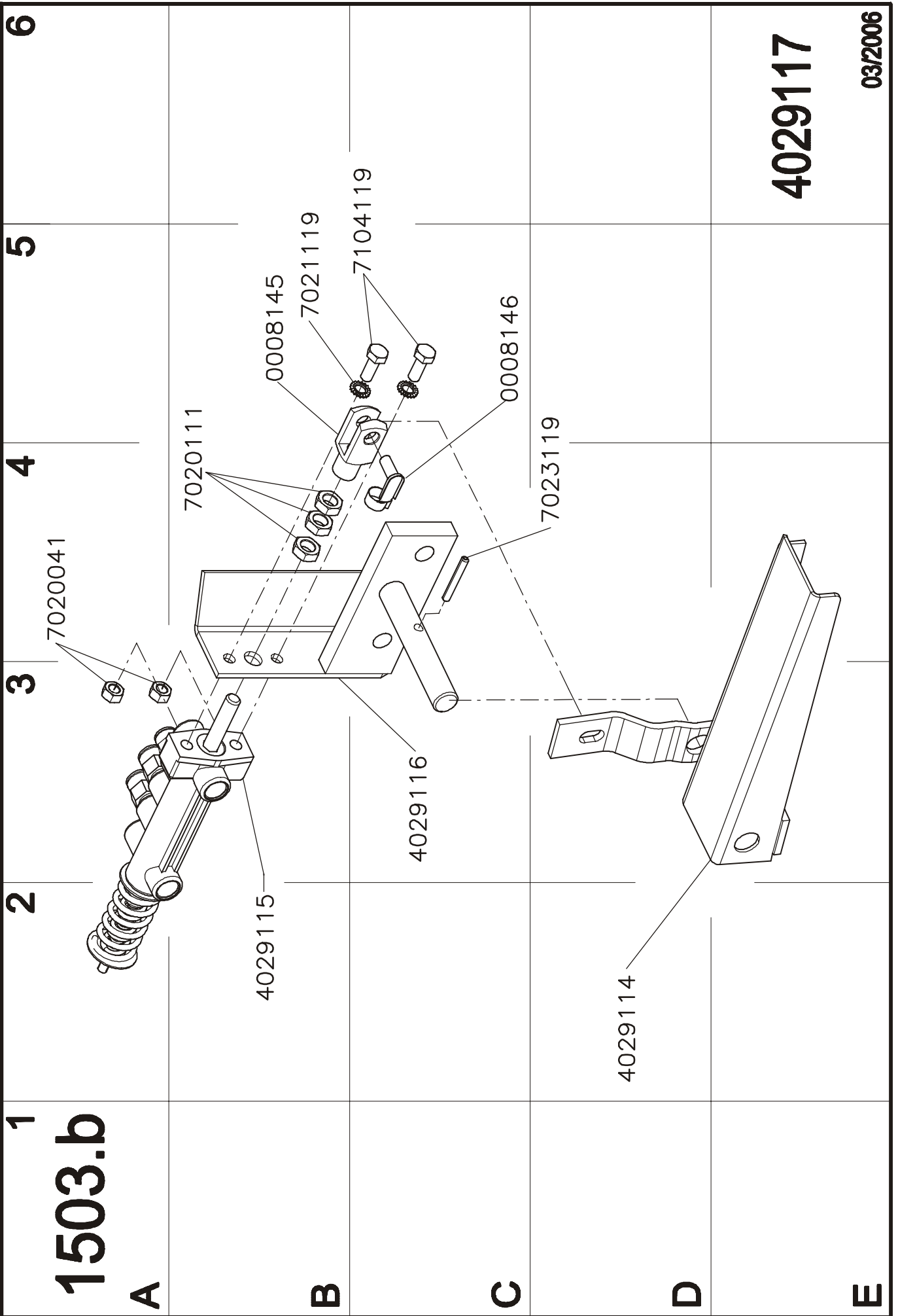
D

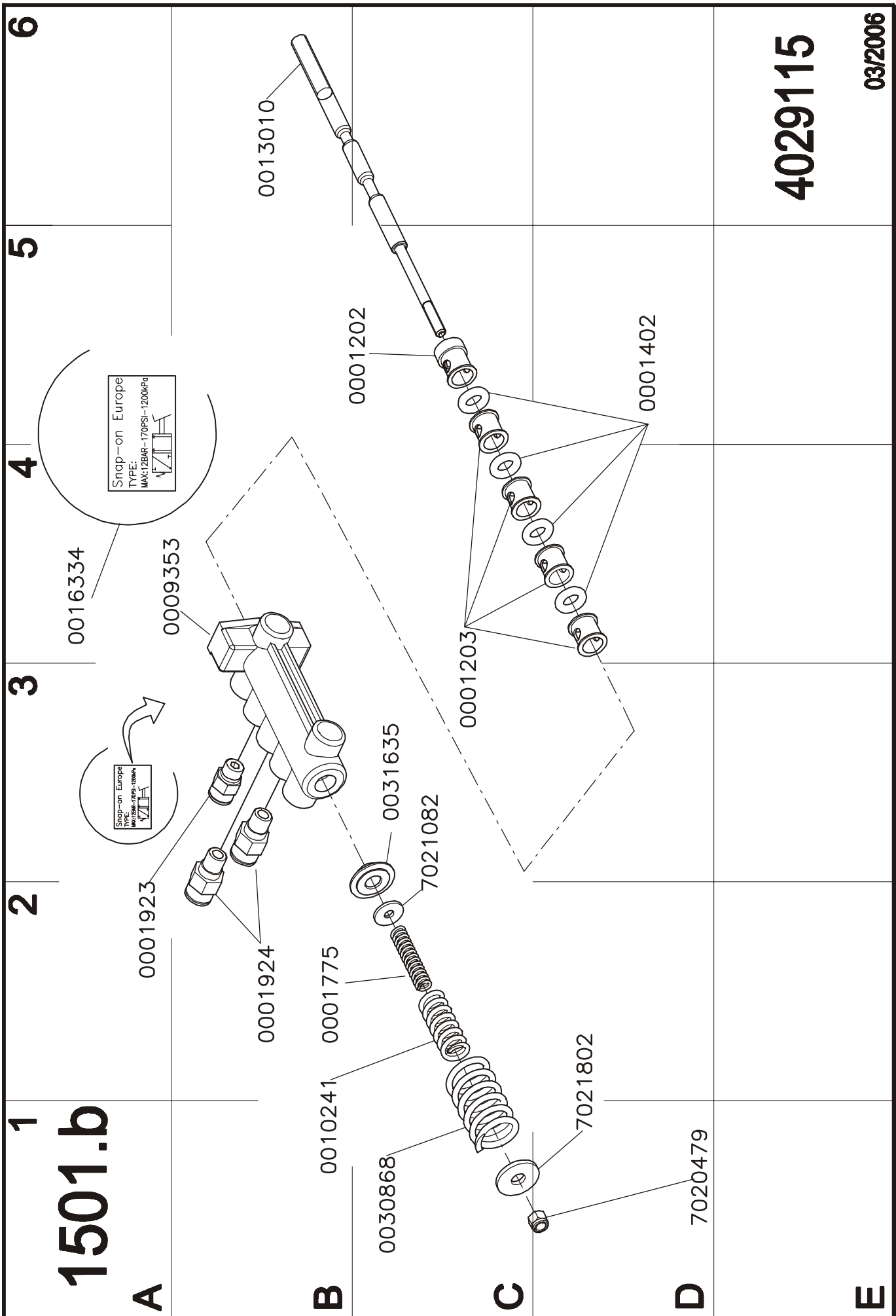
E



4027747
07/2003

150-H-October-07





150-H-October-07

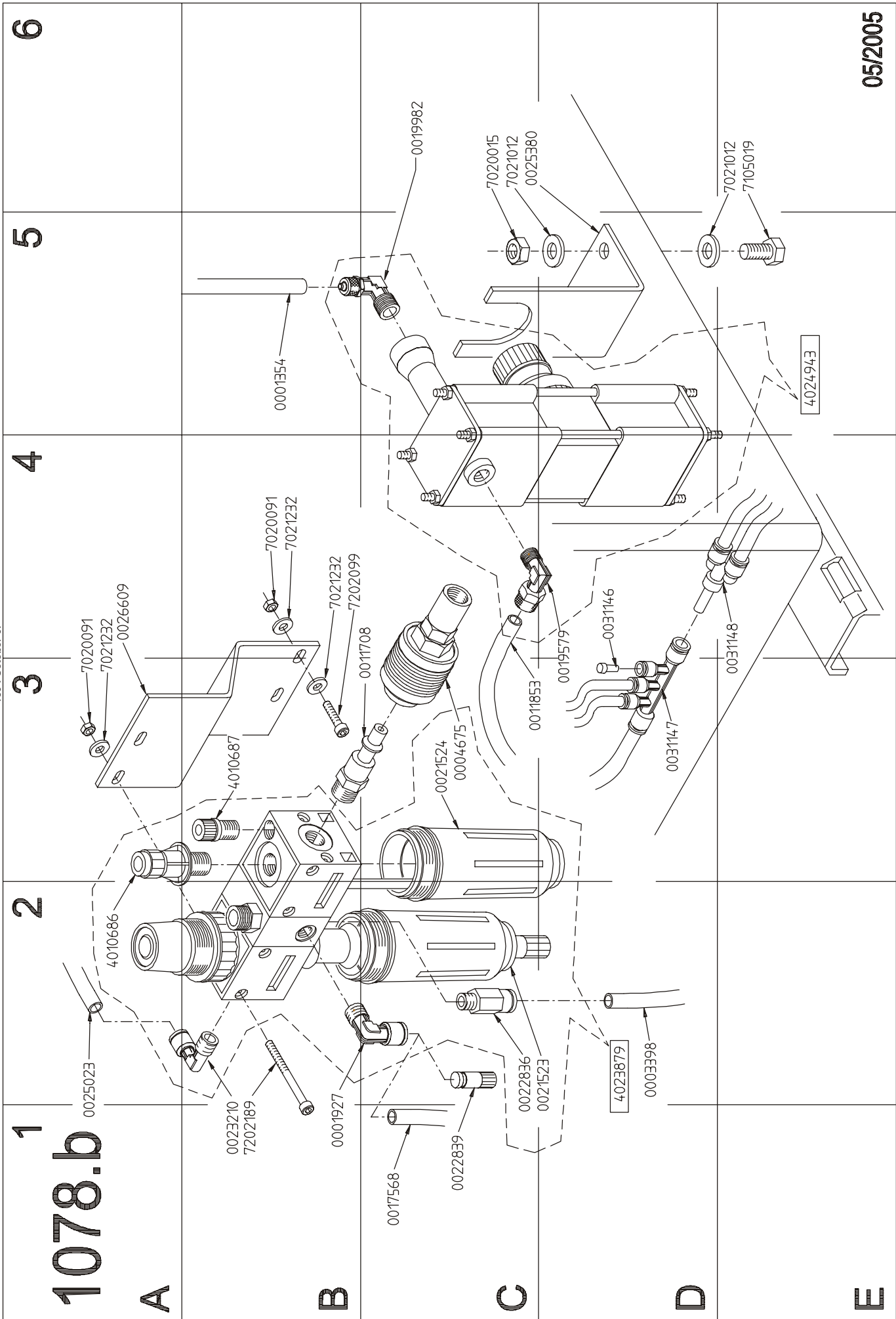
4029115

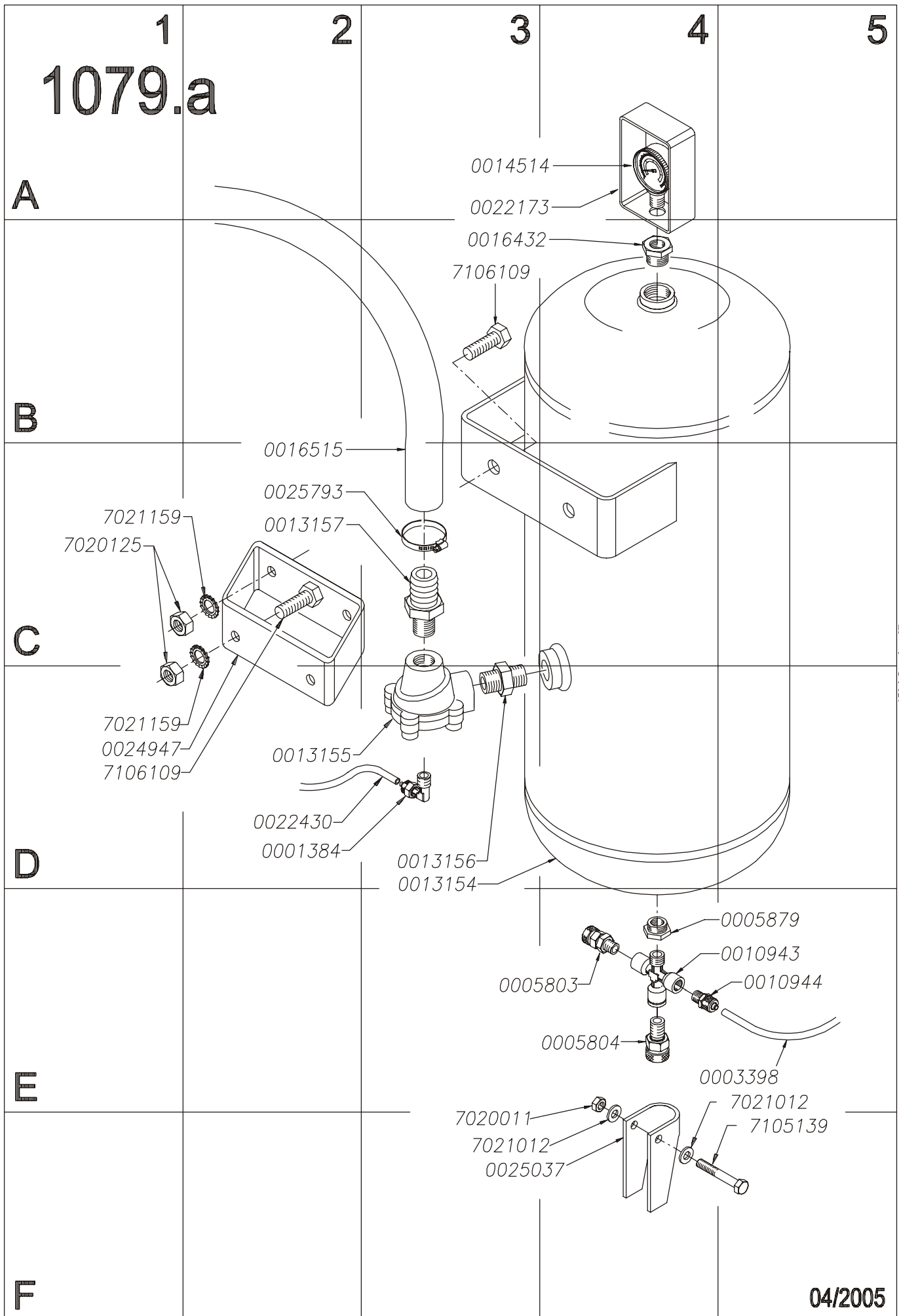
03/2006



05/2005

150-I-October-07



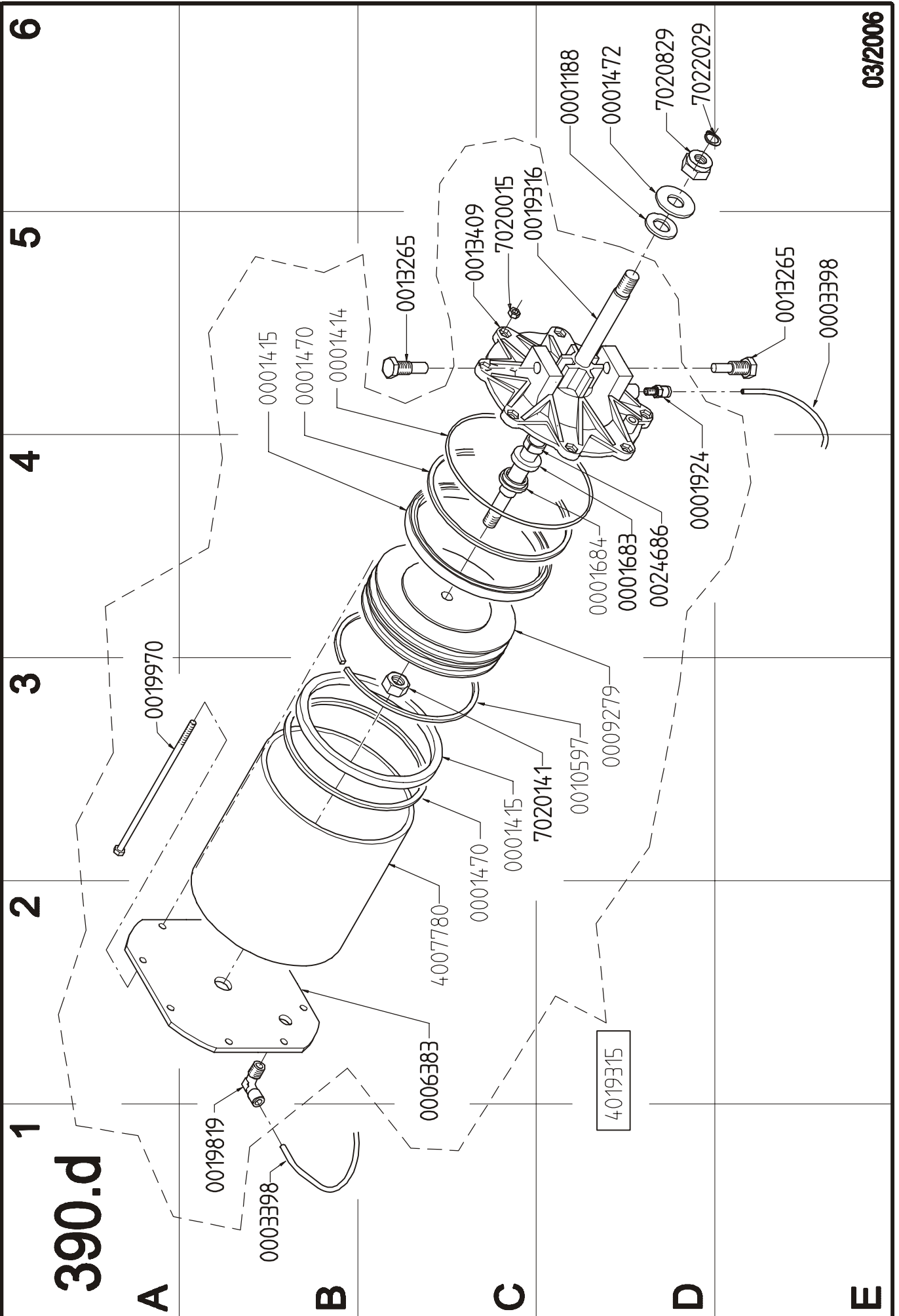


150-October-07

04/2005



150-I-October-07



03/2006



6

5

4

3

2

1

1301.a

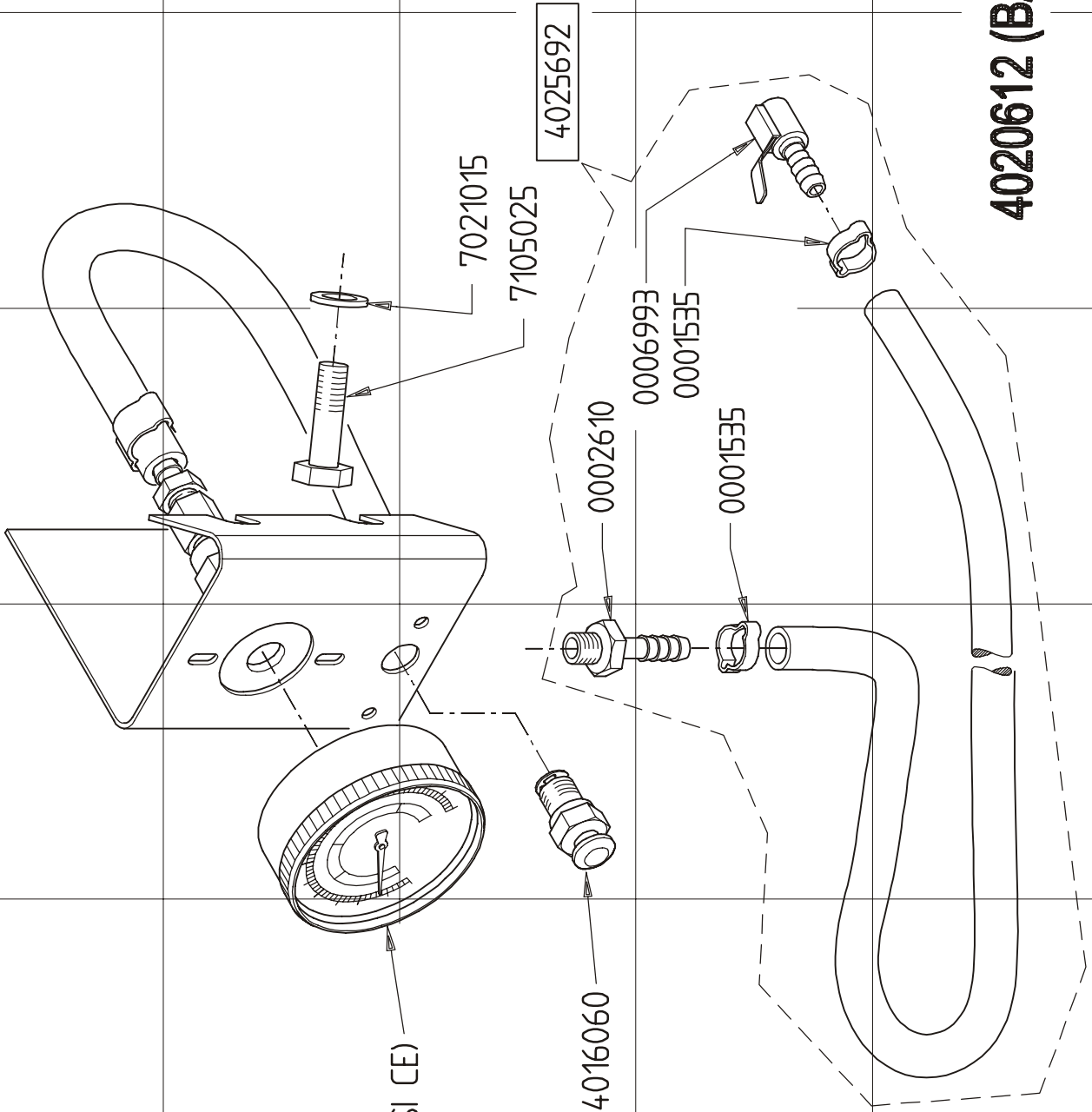
A

B

C

D

E



4020612 (BAR/PSI CE)

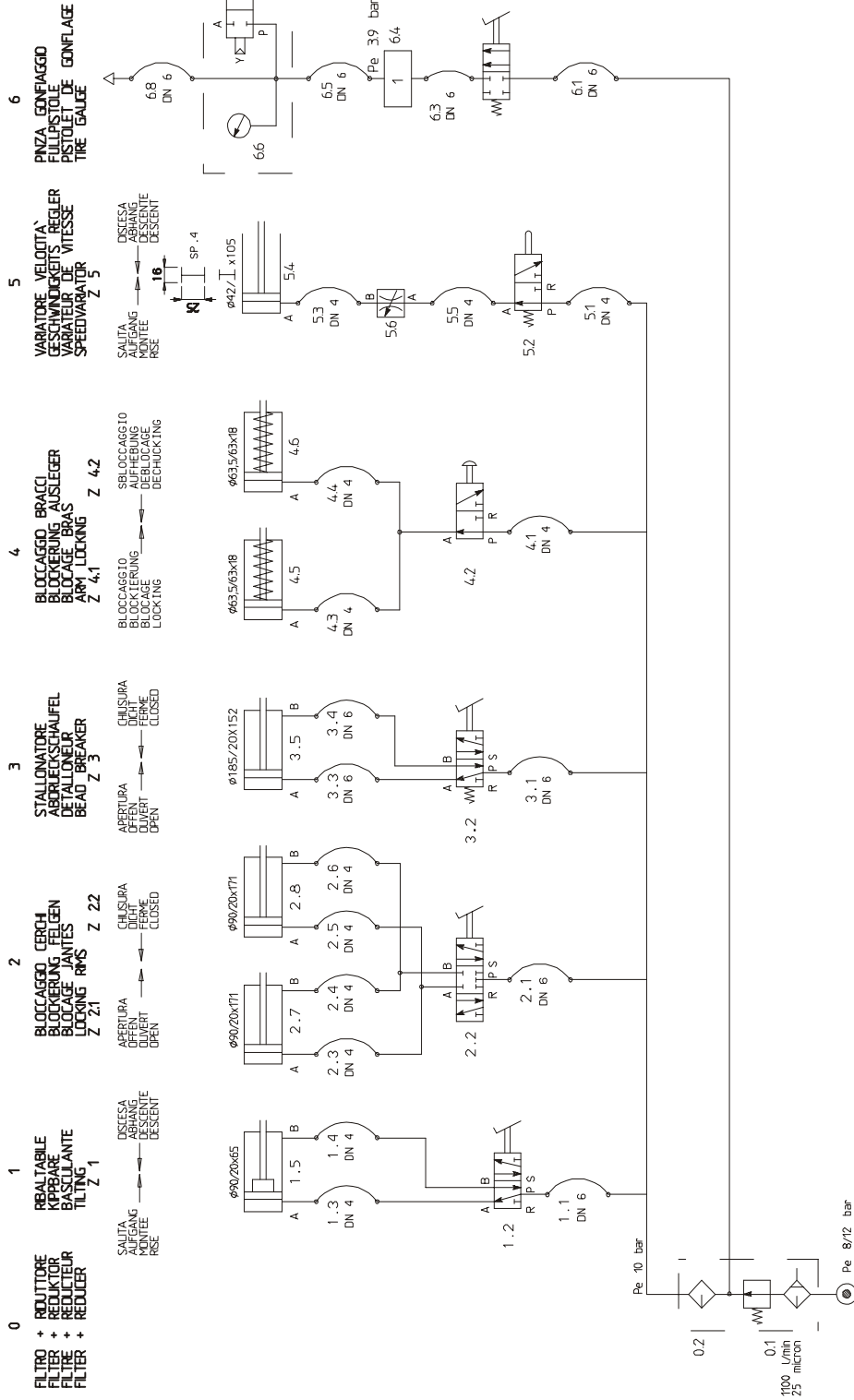
06/2004

150-H-October-07



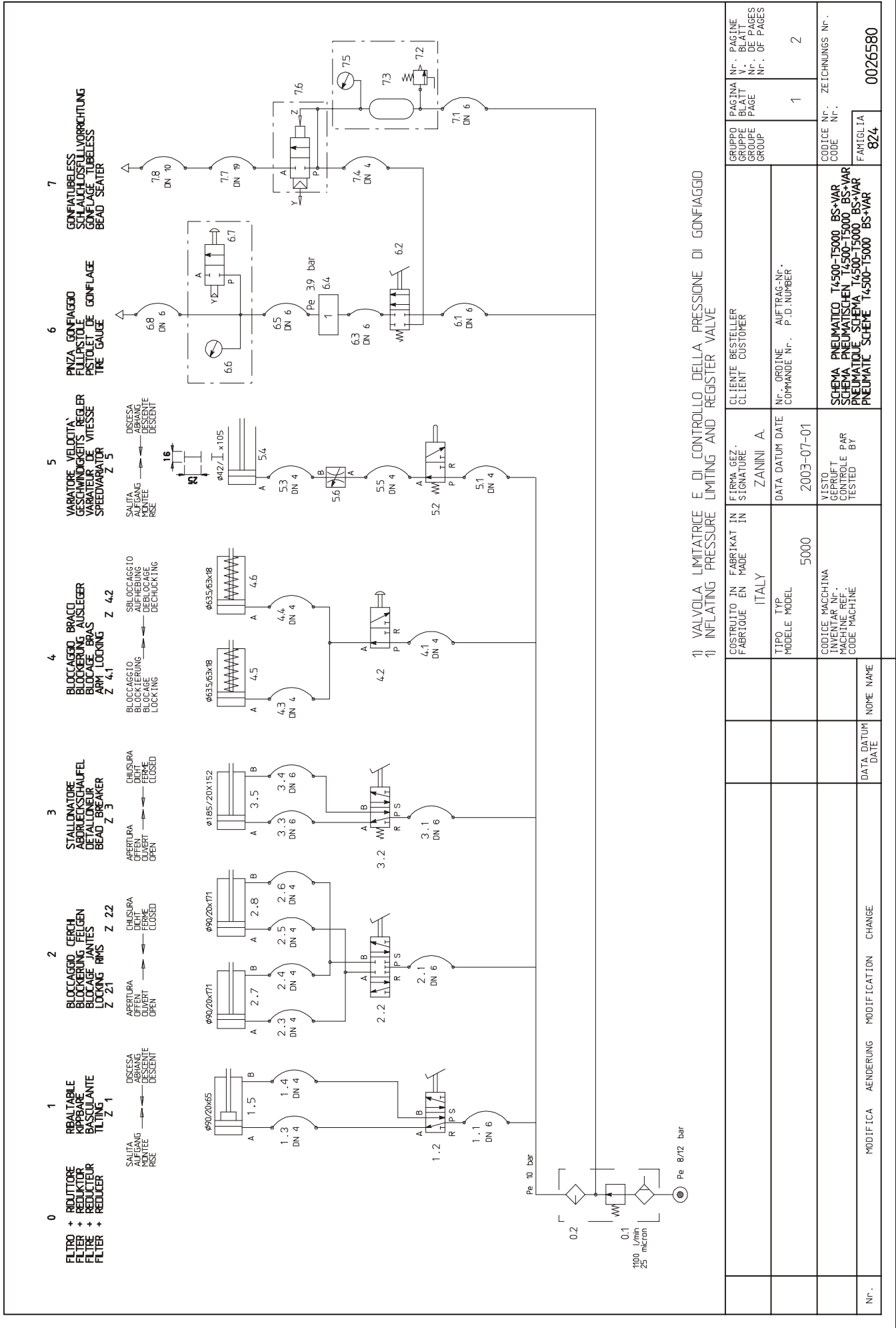
150-I-October-07

BLANK PAGE



1) VALVOLA LIMITATRICE E DI CONTROLLO DELLA PRESSIONE DI GONFIAGGIO
1) INFLATING PRESSURE LIMITING AND REGISTER VALVE

Nr.	MODIFICA AENDERUNG MODIFICATION CHANGE							
		DATA/DATUM DATE	NOVE NAME					
		CODICE MACCHINA INVENTAR-Nr. MACHINE REF. CODE MACHINE						
		TIPO TYP MODELE MODEL	T4500/T5000					
		COSTRUITO IN FABRIKAT IN FABRIQUE EN MADE	ITALY					
		FIRMA GEZ. SIGNATURE	ZANINI A.					
		CLIENTE BESTELLER CLIENT CUSTOMER						
		GRUPPO GRUPPE BLATT PAGE	1					
		NUM. PAGINE V. BLATT N°. DE PAGES N°. OF PAGES	2					
		MODIFICAZIONE ÄNDERUNG MODIFICATION CHANGE						
		CODICE Nr. CODE Nr.	0026577					
		FAMIGLIA 824						



1) VALVOLA LIMITATRICE E DI CONTROLLO DELLA PRESSIONE DI GONFIAGGIO
 1) INFLATING PRESSURE LIMITING AND REGISTER VALVE

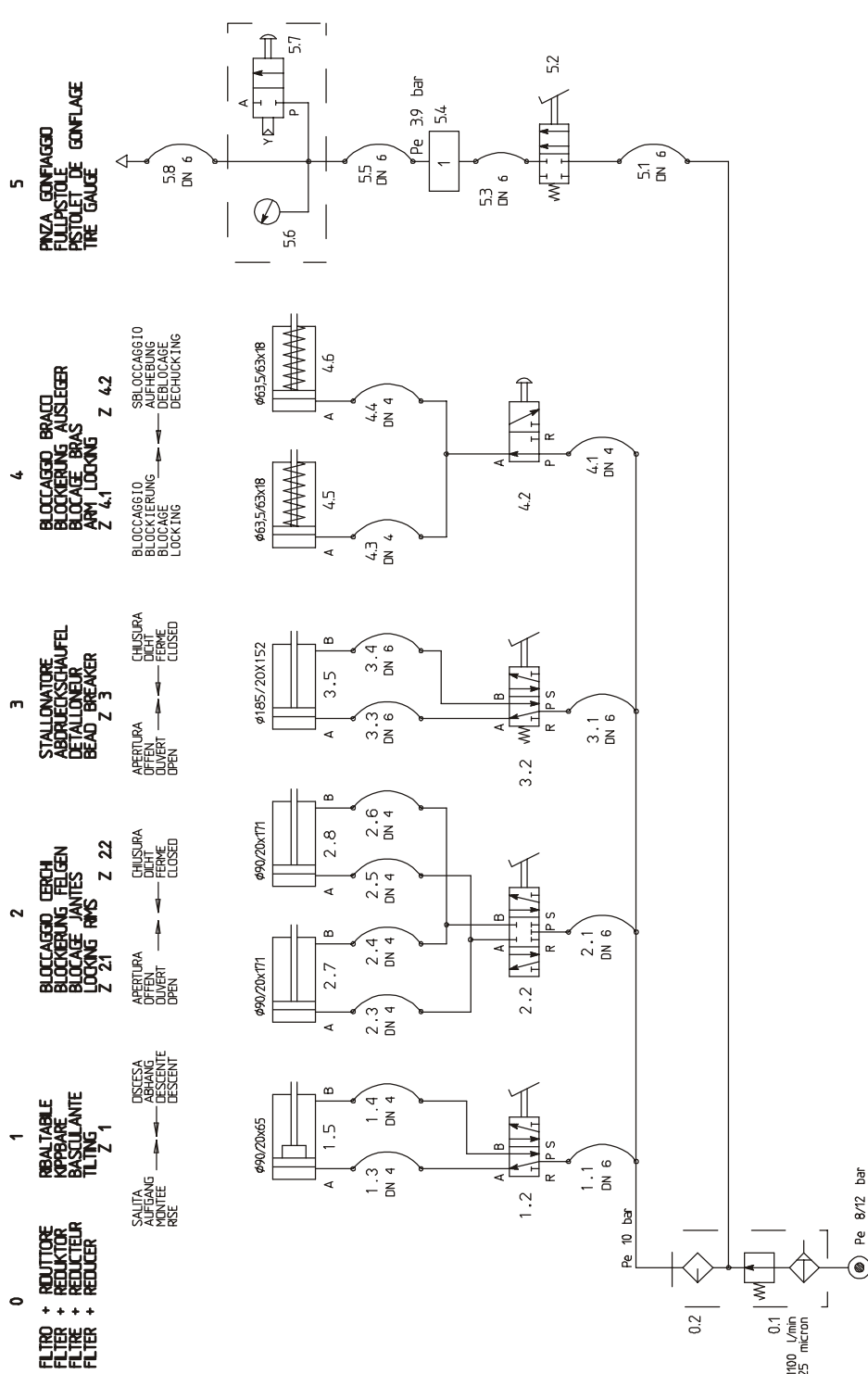
GRUPPO GRUPPE GROUP	PAGINA BLATT PAGE	CLIENTE BESTELLER CUSTOMER	N° PAGINE V. BLATT N° DE PAGES
CODICE CODE	1	N° ORDINE AUFTRAG-N° COMMAND N° P.D. NUMBER	2
FAMIGLIA 824	CODICE N° CODE N°	SCHEMA PNEUMATICO T4500-15000 BS-VAR SCHEMA PNEUMATICO T4500-15000 BS-VAR PNEUMATIC SCHEMA T4500-15000 BS-VAR PNEUMATIC SCHEMA T4500-15000 BS-VAR	ZEICHNUNGS N° 0026580
FIRMA GEZ. SIGNATURE	DATA DATUM DATE	COSTRUITO IN FABRICOUE EN MADE	TIPO TYP MODELE MODEL
ZANINI A.	2003-07-01	ITALY	5000
N°	DATA DATUM DATE	MODIFICA AENDERUNG MODIFICATION CHANGE	NONE NAME

150-October-07



150-I-October-07

Pos.	Q.TA. STÜCK Q. IE.	Q. IT.	PRODOTTORE/FORNITORE HERSTELLER/LIEFERANT PRODUCTEUR /FOURNISS.	STIGLA E NORMA TYP- UND NORVENBEZEICHNUNG REF. ET NORMATIVE	MODIFICA	ÄNDERUNG	MODIFICATION	CHANGE	DATA DATUM DATE	NOVA NAME	COODICE MACCHINA INVENTAR N°. MACHINE N°.	TIPO MODEL	CONTRUITO IN FABRIQUE EN	FABRIKAT IN MADE IN	FIRMA GEZ. SIGNATURE	DATA DATUM DATE	N° ORDINE COMMANDE N°.	AUFTRAG N°. P.D. NUMBER	GRUPPO GRUPE GROUP	PAGINA N°. BLATT V. DE PAGES PAGE N°. OF PAGES	PRODUTTORE/FORNITORE HERSTELLER/LIEFERANT PRODUCTEUR /SUPPLIER	STIGLA E NORMA TYP- UND NORVENBEZEICHNUNG REF. ET NORMATIVE	CLIENTE BESTELLER CLIENT CUSTOYER	LISTA COMPONENTI PNEUMATICI BESTANDTEILE PNEUMATISCHEN LISTE COMPOSANTS PNEUMATIQUES LIST OF PNEUMATIC COMPONENTS	COODICE N°. ZEICHNUNGS N°. CODE	FAMIGLIA 824	0025580
54	1		GS	CILINDRO A SEMPLICE EFFETTO NACH STROMENDEFFELT ZYLINDER AT SIMPLE EFFECT																FONTANESI E MARTINELLI	S.A. HELIVYL 40 BAR						
52	1		GS	VALVOLA A 3 VIE DREIWEIHE VENTIL VANNE A 3 VOIES THREEWAY VALVE																							
51 52 53	1 1 1		MAZZER MAT. PLASTICHE	TUBO FLESSIBILE SCHLAUCH TUYAU FLEXIBLE FLEXIBLE TUBE																							
45 46	1 1		GS	CILINDRO A SEMPLICE EFFETTO EINFACH WIRKENDE ZYLINDER VERIN A SIMPLE EFFET CILINDER AT SIMPLE EFFECT																							
42	1		GS	VALVOLA A 3 VIE DREIWEIHE VENTIL VANNE A 3 VOIES THREEWAY VALVE																							
41 43 44	1 1 1		MAZZER MAT. PLASTICHE	TUBO FLESSIBILE SCHLAUCH TUYAU FLEXIBLE FLEXIBLE TUBE																							
35	1		GS	CILINDRO A DOPPIO EFFETTO DOPPELTWIRKENDE ZYLINDER VERIN A DOUBLE EFFET CILINDER AT DOUBLE EFFECT																							
32	1		GS	VALVOLA A 5 VIE FÜNFWEIHE VENTIL VANNE A 5 VOIES FIVEWAY VALVE																							
31 33 34	1 1 1		MAZZER MAT. PLASTICHE	TUBO FLESSIBILE SCHLAUCH TUYAU FLEXIBLE FLEXIBLE TUBE																							
27 28	1 1		GS	CILINDRO A DOPPIO EFFETTO DOPPELTWIRKENDE ZYLINDER VERIN A DOUBLE EFFET CILINDER AT DOUBLE EFFECT																							
22	1		GS	VALVOLA A 5 VIE FÜNFWEIHE VENTIL VANNE A 5 VOIES FIVEWAY VALVE																							
21 25 26 27	1 1 1 1		MAZZER MAT. PLASTICHE	TUBO FLESSIBILE SCHLAUCH TUYAU FLEXIBLE FLEXIBLE TUBE																							
15	1		GS	CILINDRO A DOPPIO EFFETTO DOPPELTWIRKENDE ZYLINDER VERIN A DOUBLE EFFET CILINDER AT DOUBLE EFFECT																							
12	1		GS	VALVOLA A 5 VIE FÜNFWEIHE VENTIL VANNE A 5 VOIES FIVEWAY VALVE																							
11 13 14	1 1 1		MAZZER MAT. PLASTICHE	TUBO FLESSIBILE SCHLAUCH TUYAU FLEXIBLE FLEXIBLE TUBE																							
02	1		STAMPOTECNICA	LUBRIFICATORE SCHMIERVORRICHTUNG LUBRIFIANT																							
01	1		STAMPOTECNICA	FILTRO • RIDUTTORE FILTER • REDUKTOR FILTRE • REDUCTEUR FILTER • REDUCER																							
POS.	Q.TA. STÜCK Q. IE.	Q. IT.	PRODOTTORE/FORNITORE HERSTELLER/LIEFERANT PRODUCTEUR /SUPPLIER	STIGLA E NORMA TYP- UND NORVENBEZEICHNUNG REF. ET NORMATIVE																							



0 + REDUTTORE
FLITER + REDUKTOR
FLITER + REDUCTEUR
FLITER + REDUCER
Z 1

SALITA
MONTÉE
RISE

DISCESA
PRESSENTE
GESENTE

APERTURA
OUVERT
OPEN

CHIUSURA
FERME
CLOSED

1 + REBALTABILE
MAGNARE
BASCULANTE
TILTING
Z 1

APERTURA
OUVERT
OPEN

CHIUSURA
FERME
CLOSED

2 + BLOCCAGGIO CERCHI
BLOCCERUNG FELGEN
BLOCCAGE JANTES
LOCKING RIMS
Z 21

APERTURA
OUVERT
OPEN

CHIUSURA
FERME
CLOSED

3 + STALLONATORE
ABTALCKUNGSAUFLER
BEAD BREAKER
Z 3

APERTURA
OUVERT
OPEN

CHIUSURA
FERME
CLOSED

4 + BLOCCAGGIO BRACCI
BLOCCERUNG AUSLEGER
BLOCCAGE BRAS
ARM LOCKING
Z 4,1

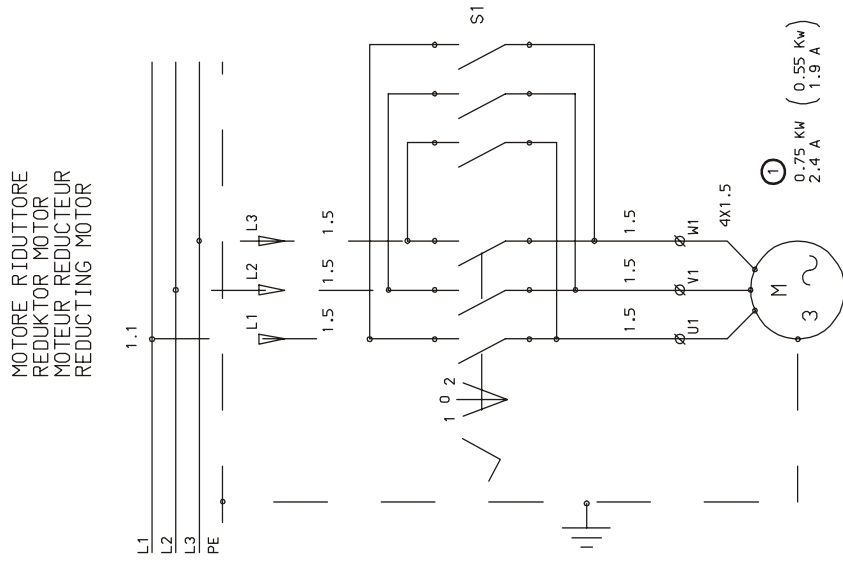
BLOCCAGGIO
BLOCCERUNG
LOCKING

Sbloccaggio
Abhebung
Dehooking

5 + SENZA GONFIAGGIO
FUZZIPASTOLE
PISTOLET DE GONFLAGE
THE GAUGE

1) VALVOLA LIMITATRICE E DI CONTROLLO DELLA PRESSIONE DI GONFIAGGIO
1) INFLATING PRESSURE LIMITING AND REGISTER VALVE

N°	MODIFICA	AENDERUNG	MODIFICATION	CHANGE	DATA DATUM DATE	NOME NAME	TESTATO GEPRÜFT MACHINE REF. CONTROLLED BY	SCHEMA PNEUMATICO T4500-T5000 SCHEMA PNEUMATISCHES T4500-T5000 SCHEMA PNEUMATIQUE T4500-T5000 PNEUMATIC SCHEME T4500-T5000	CODICE N° ZEICHNUNGS N° CODE N°	FAMIGLIA 824	GRUPPO GRUPPE GROUP	PAGINA BLATT PAGE	N° - PAGINE V. - BLÄTTER Nr. - DE PAGES Nr. - OF PAGES
												1	2



MOTORE RIDUTTORE
 REDUKTOR MOTOR
 MOTEUR REDUCTEUR
 REDUCTING MOTOR

L1
 L2
 L3
 PE

S1

0.75 kW (0.55 Kw)
 2.4 A (1.9 A)

U1 V1 W1

4X1.5

M

3

POS.	SICLA TYP. REF.	Q.TA' STÜCK Q.TE' REF.	DENOMINAZIONE BENENNUNG DESCRIPTION	SICLA E NORMA TYP- UND NORMENBEZEICHNUNG REF. ET NORMATIVE	PRODUTTORE/FORNITORE HERSTELLER/LIEFERANT PRODUCTEUR/FOURNISSEUR PRODUCER / SUPPLIER	FIRMA GEZ. SIGNATURE	CLIENTE BESTELLER CLIENT CUSTOMER	GRUPPO GRUPPE GRUPE	PAGINA BLATT PAGE	Nr. V. Nf. de PAGES
1.1	S1	1	INVERTITORE TRIPOLORE UMPOLNUNGSMOTOREN TRIPOLAR REVERSE	C10861S	BREITER	BARIGAZZI			1	1
1.1	M	1	MOTORE ELETTRICO ELEKTRISCHEN MOTOR MOTEUR ELECTRIQUE ELECTRIC MOTOR	R 80 B4	TECNOMOTORI		Nf. ORDINE AUFTRAG-Nr. COMMANDE Nf. P.D NUMBER		1	1
1	AGGIORNATO DATI MOTORE						VISTO GEPRÜFT CONTROLE PAR TESTED BY			
Nf.			MODIFICA AENDERUNG MODIFICATION CHANGE							

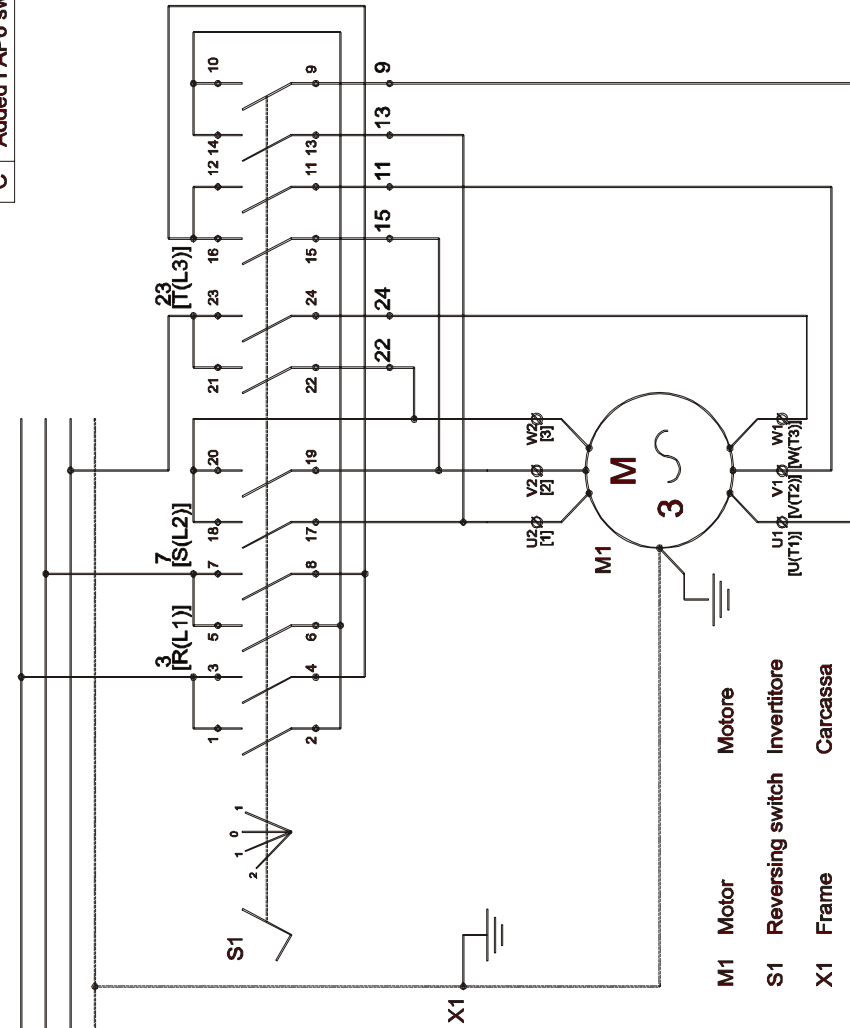
CODICE MACCHINA INVENTAR Nf. MACHINE REF. CODE MACHINE			CODICE Nf. ZEICHNUNGS Nf. CODE Nf.		
A22			824		
A.P.			0008281		
			FAMILIGLIA 824		
			SCHEMA ELETTRICO STARTER SCHEMA ELECTRIQUE DE MOTEUR ELECTRIC SCHEME FOR TIRE CHANGER		



150-I-October-07

REV	CHANGES - MODIFICHE	DATE	NAME
A	Production release	2005.10.20	N. Castagnoli
B	Added alternative numbering	2007.05.17	N. Castagnoli
C	Added FAP6 switch table	2007.07.04	N. Castagnoli

EEWH603AWD
SHEET 1 OF 1

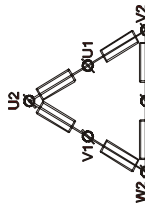


23-24	21-22	19-20	17-18	15-16	13-14	11-12	9-10	7-8	5-6	3-4	1-2
X	X	X	X	X	X	X	X	X	X	X	X
6	5	4	3	2	1	2	1	0	1	2	

Switch table
Tabella invertitore

1-2	3-4	5-6	7-8	9-10	11-12	13-14	15-16	17-18	19-20
X	X	X	X	X	X	X	X	X	X
1	2	3	4	1	2	3	4	1	2

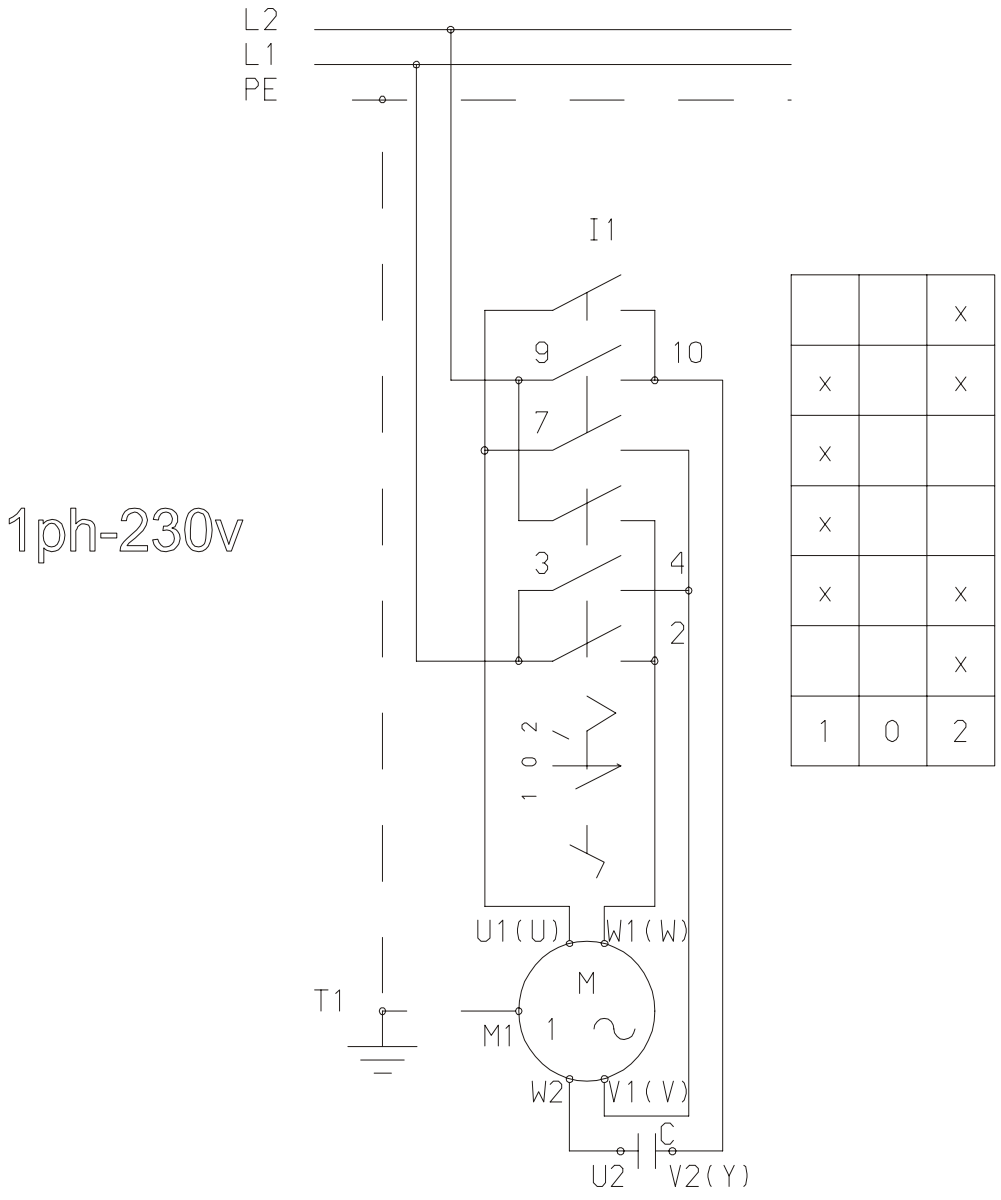
FAP6
Switch table
Tabella invertitore



Motor windings diagram
Schema avvolgimenti motore

[Alternative numbering]

DENOMINAZIONE: SCHEMA ELETTRICO SMONTAGOMME 2 VELOCITA		FAMIGLIA: 824	COD. GS: 0031427
THE DATA, DRAWINGS, AND INFORMATION CONTAINED IN THIS DOCUMENT IS CONFIDENTIAL AND THE SOLE PROPERTY OF SNAP-ON, AND MAY NOT BE REPRODUCED, USED, OR DISCLOSED WITHOUT WRITTEN PERMISSION OF AN OFFICER OF SNAP-ON. COPYRIGHT			
UNLESS OTHERWISE SPECIFIED DIMENSIONS ARE IN MILLIMETERS GENERAL TOLERANCES OVER 0.5 TO 6.0 ±0.1 OVER 6.0 TO 30 ±0.2 OVER 30 TO 120 ±0.3 OVER 120 TO UP ±0.5 ANGULAR ±1° HOLES ±0.1 SHEET METAL ±0.5 SURFACE: ISO 1302		MATERIAL	2 SPEED
C 07G0099		FINISH	TYRE CHANGER WIRING DIAGRAM
B 07G0077		PROJ NO 07G0099	RELEASE
A 05G0205		DR N. Castagnoli 2005-10-20	REV C
REV/PCN HISTORY		QUALITY DOC N/A	EEWH603AWD
FIRST ANGLE PROJECTION		SUPERCEDES N/A	SHEET 1 OF 1



C	condensatore	condensateur	capacitor	Kondensator
I1	invertitore	inverseur	reversing switch	Wendeschalter
M1	motore	moteur	motor	Motor
T1	carcassa	chassis	frame	Gehaeuse

1	AGGIUNTO CONDENSATORE	16-06-92	N.C.
Nr.	MODIFICA AENDERUNG MODIFICATION CHANGE	DATA DATUM DATE	NOME NAME
FAMIGLIA	FIRMA GEZ. SIGNATURE	CLIENTE BESTELLER CLIENT CUSTOMER	GRUPPO GRUPPE GROUPE GROUP
824	N.C.		PAGINA BLATT PAGE
TIPO TYP MODELE MODEL	DATA DATUM DATE	Nr. ORDINE AUFTRAG-Nr. COMMANDE Nr. P.D.NUMBER	Nr. PAGINE V. BLATT Nr. DE PAGES Nr. OF PAGES
EKO	13-07-88		1
CODICE MACCHINA INVENTAR Nr. MACHINE REF. CODE MACHINE	VISTO GEPRUFT CONTROLE PAR TESTED BY	SCHEMA ELETTRICO SMONTAGOMME MONOFASE	CODICE Nr. ZEICHNUNGS Nr. CODE Nr.
			0009017

150-H-October-07



150-I-October-07

BLANK PAGE



®

FRANCE
Snap-On Equipment France
Z.A. Du Vert Galant
15, rue de la Guivernone
BP 7175
95310 Saint Ouen L'Aumone
Tel: (33) 1-3448-5878
Fax: (33) 1-3448-5879

UNITED KINGDOM
UK Equipment Ltd.
part of Snap-On Inc.
48 Sutton Park Avenue,
Reading,
Brkshire, RG6 1AZ
Tel. 0118 929 6826
Fax: 0118 966 4369

JBC GERMANY
Snap-on Equipment GmbH
Geschäftsbereich John Bean
Werner-von-Siemens-Str. 2
D-63419 Pfungstadt
Deutschland
Tel: +49 (0) 6157 12 600
Fax: +49 (0) 6157 12 601
Website: www.johnbean.de

LATIN AMERICA-FAR EAST
International Equipment
Group
309 Exchange Avenue
Conway, Arkansas 72032
Tel.: (501) 450-1568
Fax: (501) 450-2086

Manufacturing Facility
Snap-on Equipment S.r.L.
Via Provinciale per Carpi 33,
42015 Correggio (R.E.), Italy
Tel. ++39 (0)522 733480
Fax: ++39 (0)522 733479

Notice: The information contained in this document is subject to change without notice. **John Bean** makes no warranty with regard to this material. **John Bean** shall not be liable for errors contained herein or for incidental consequential damages in connection with furnishings, performance, or use of this material.

This document contains proprietary information which is protected by copyright and patents. All rights are reserved. No part of this document may be photocopied, reproduced, or translated without prior written consent of **John Bean**.



is a registered trademark of John Bean and Snap-on Incorporated.