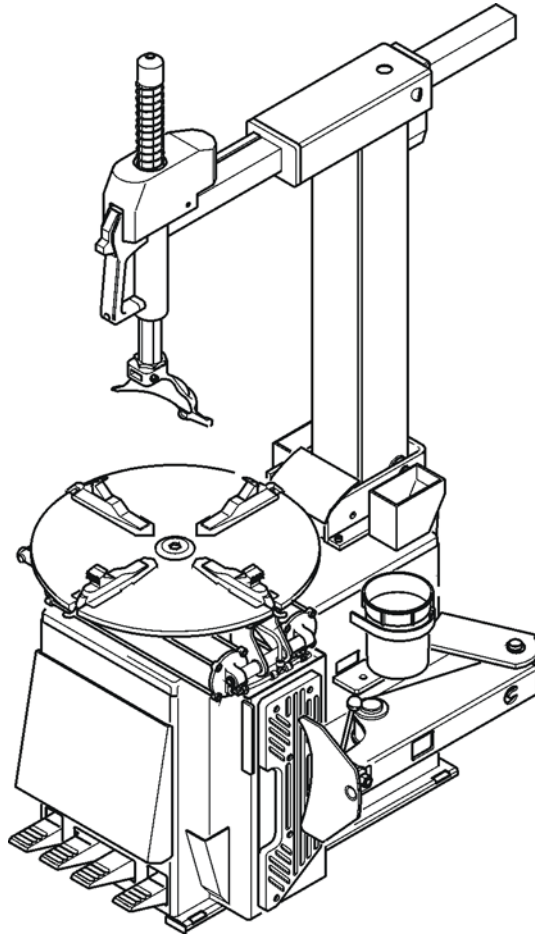


Electro Pneumatic Tire Changer



T 3000-20/BS

Spare Parts

TEEWH509A3 Rev. G May 07



U P D A T I N G G U I D E

MODIFIED / CHANGED PARTS Regarding Revision B of November 2004

List of updated tables from this date:

N.A. 883.a	N.A. 1094	591 591.a
---------------	--------------	--------------

MODIFIED / CHANGED PARTS Regarding Revision C of September 2005

Previous document was named T 3000.

List of updated/added tables from this revision:

611.b 611.c	612.b 612.c	824.a 1507	642 1509	591.a 591.b
----------------	----------------	---------------	-------------	----------------

MODIFIED / CHANGED PARTS Regarding Revision D of November 2005

List of updated/added tables from this revision:

Replaced	611.e	612.e	1507
Added	611.d	612.d	1507.a
affected by PCN:	PCN:05G0190	PCN:05G0176	PCN:05G0188

MODIFIED / CHANGED PARTS Regarding Revision E of May 2006

List of updated/added tables from this revision:

Replaced	=	=	1507	1509	591.b
Added	1539	1540	1507.b	1509.b	591.c
affected by PCN:	PCN:05G0200	PCN:05G0200	PCN:05G0188 PCN:06G0031	PCN:06G0023 PCN:06G0031	PCN:06G0030

121-f-April-07

From **Revision F:**

April 2007

TABLE 611.e	replace TABLE 611.d	accordingly to PCN 06G0176 / 06G0181	on PAGE 4
TABLE 1589	replace TABLE 643	accordingly to PCN 07G009	on PAGE 22

From **Revision G:**

May 2007

TABLE 611.f	replace TABLE 611.e	accordingly to PCN 070036	on PAGE 4
--------------------	---------------------	---------------------------	-----------



121-4-April-07

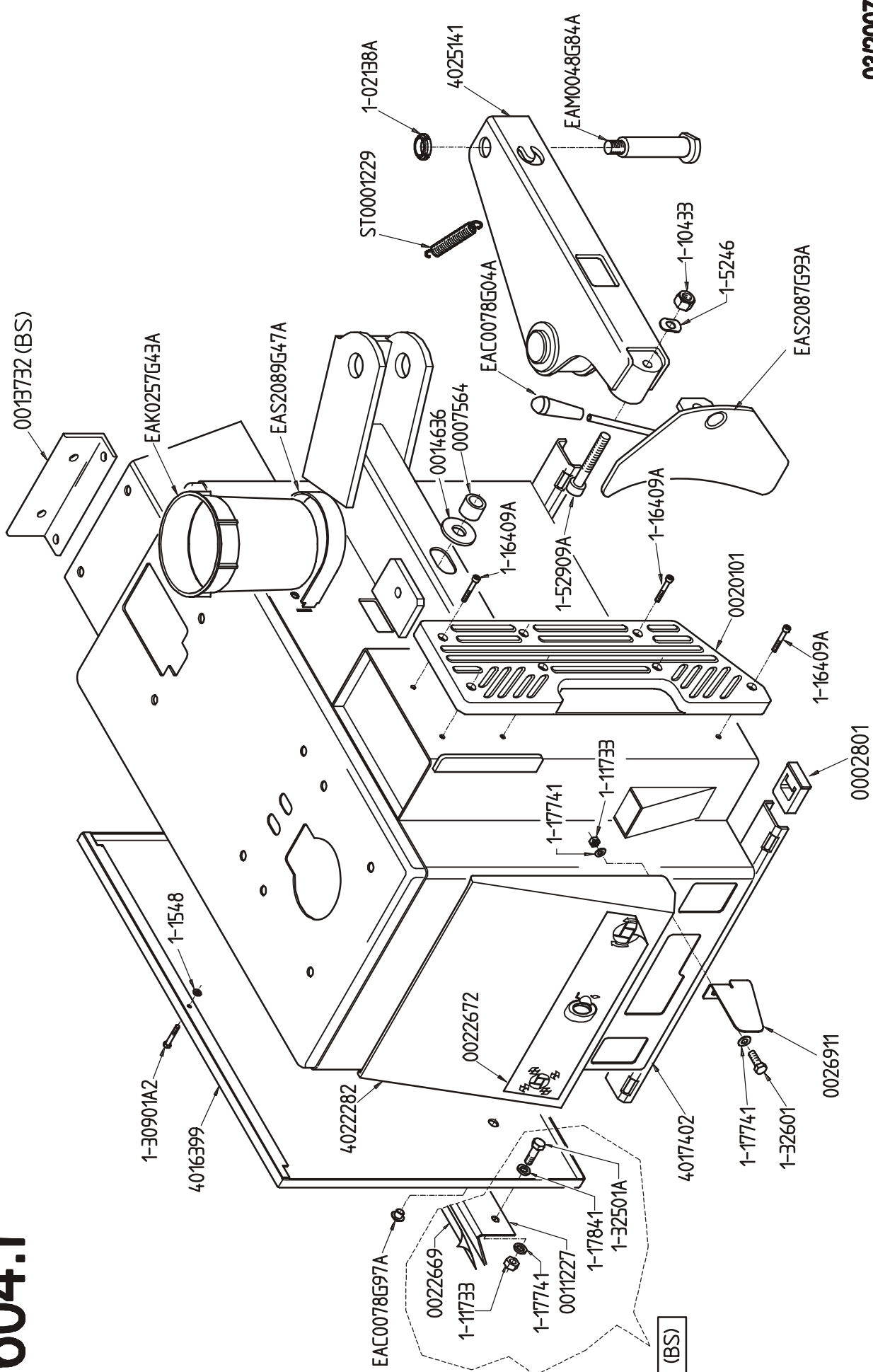
THIS PART IS FOR EXCLUSIVE USE OF QUALIFIED PERSONNEL FOR MAINTENANCE AND SERVICE PURPOSES.

- ◆ **On order specify:** type of machine and serial number item code and quantity.

- BOLD TYPE CODES MEANS: SUGGESTED SPARE PARTS -



604.f

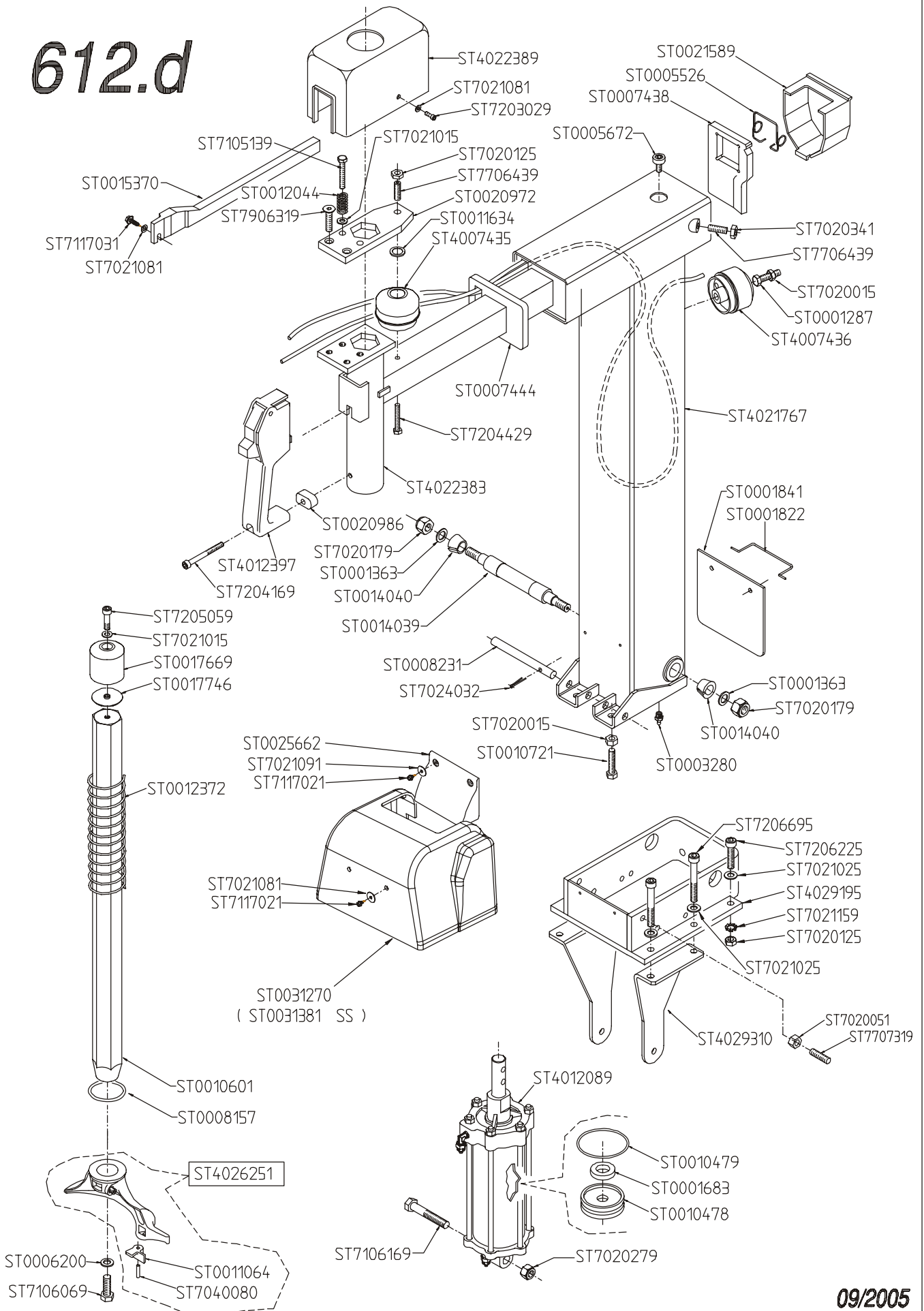


03/2007

121-t-April-07



612.d

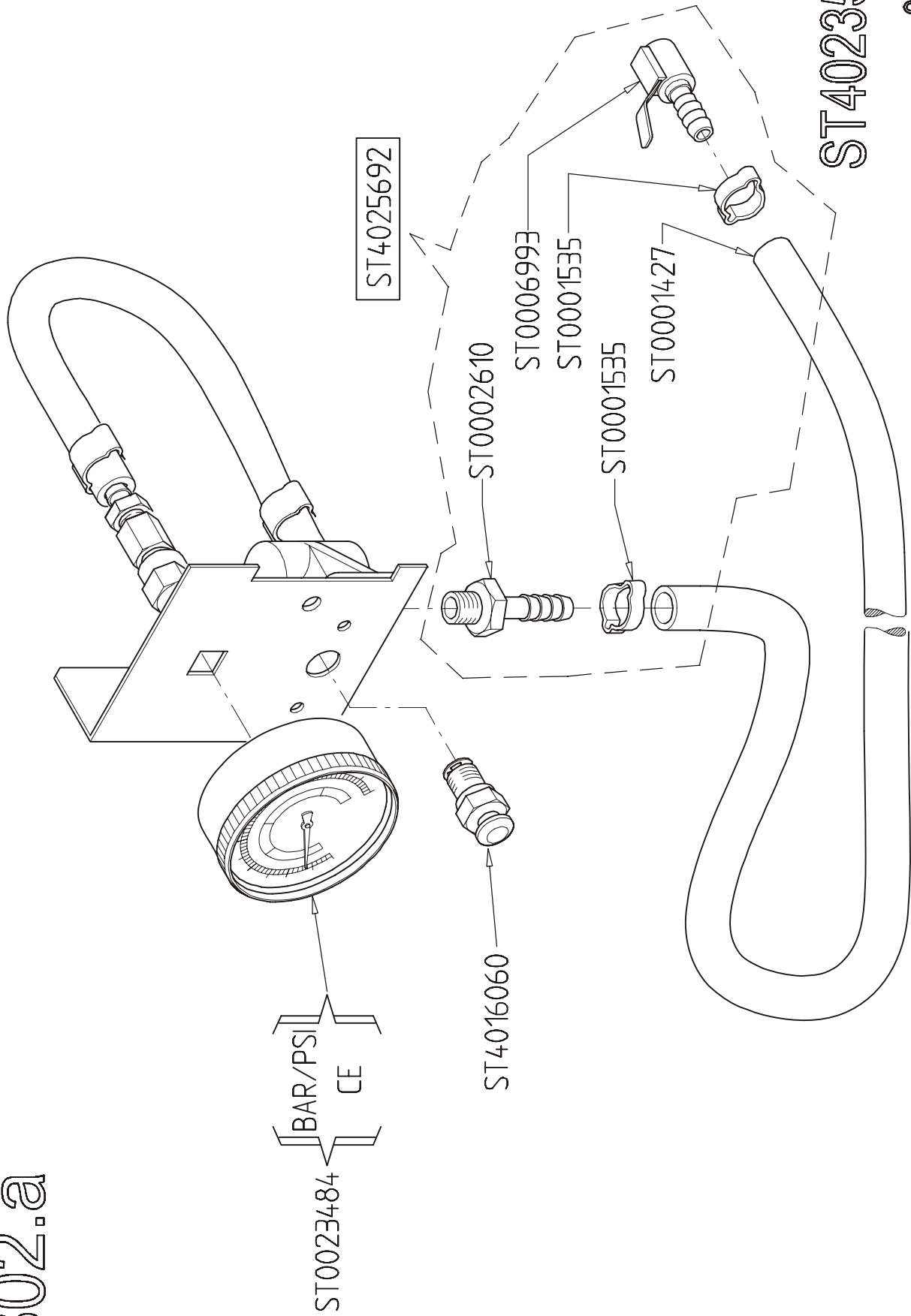


121-4-April-07

09/2005



802.a

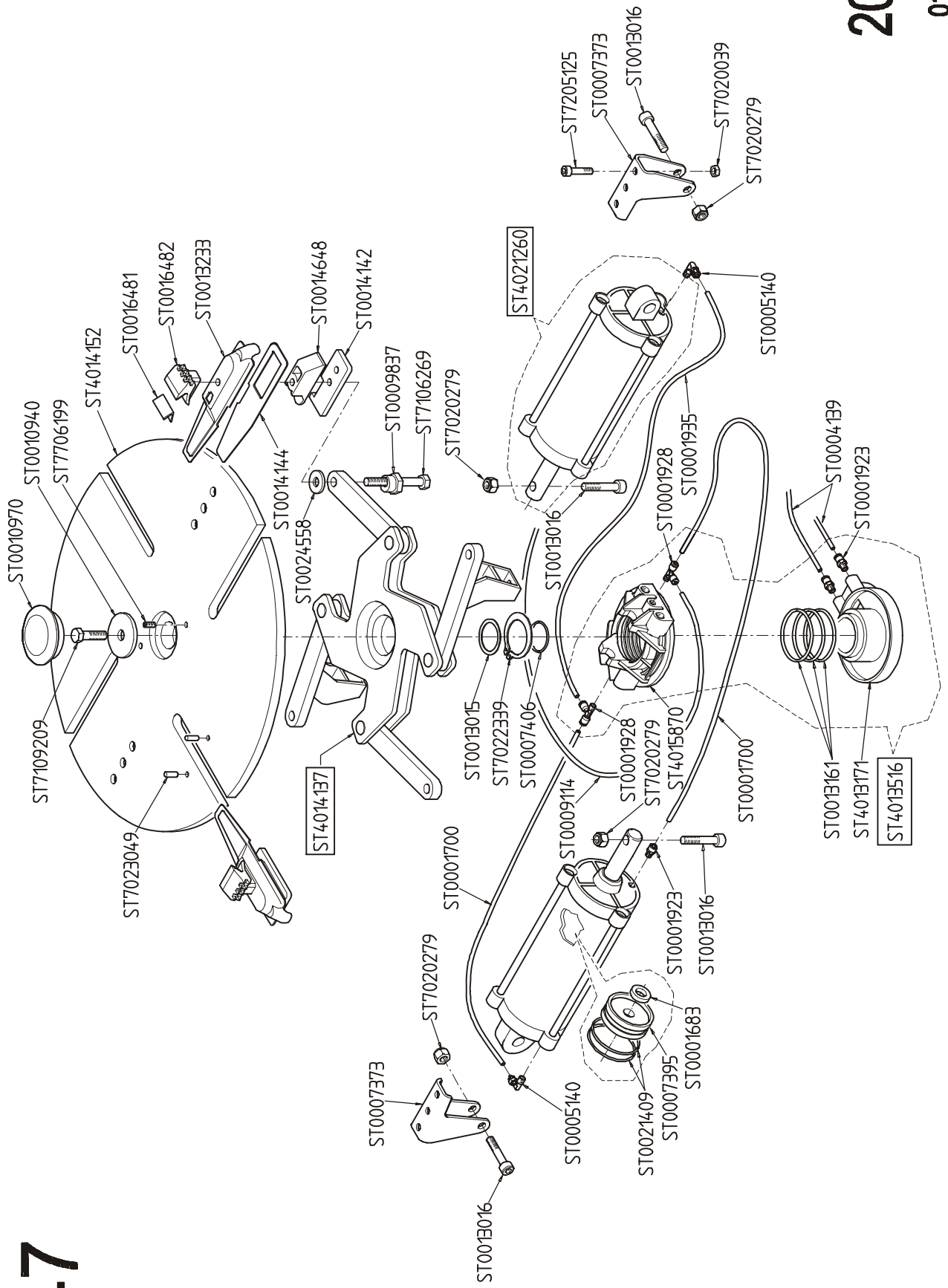


121-f-April-07



121-4-April-07

947

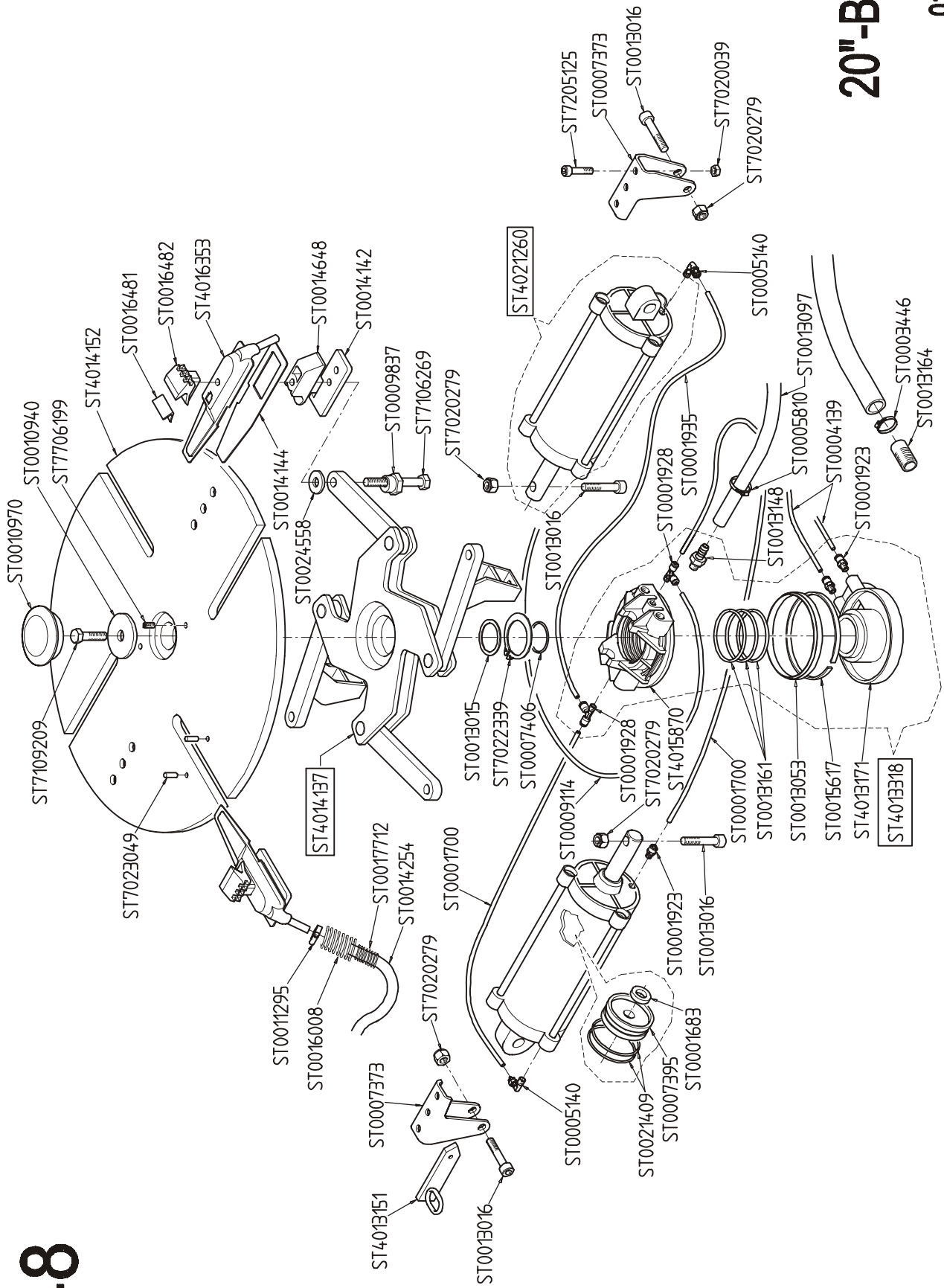


20"

01/2000



948



20"-BS

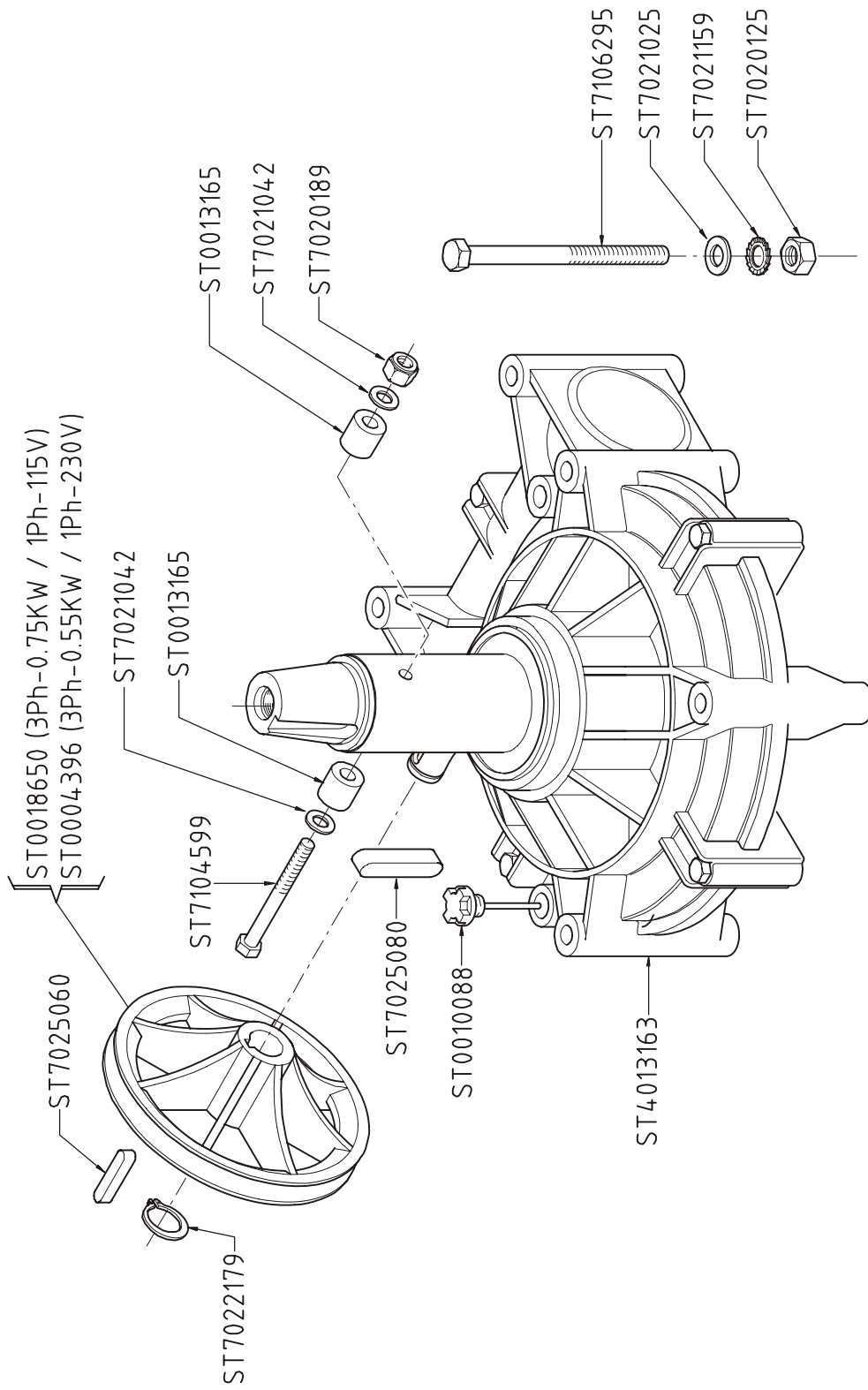
01/2000

121-1-April-07



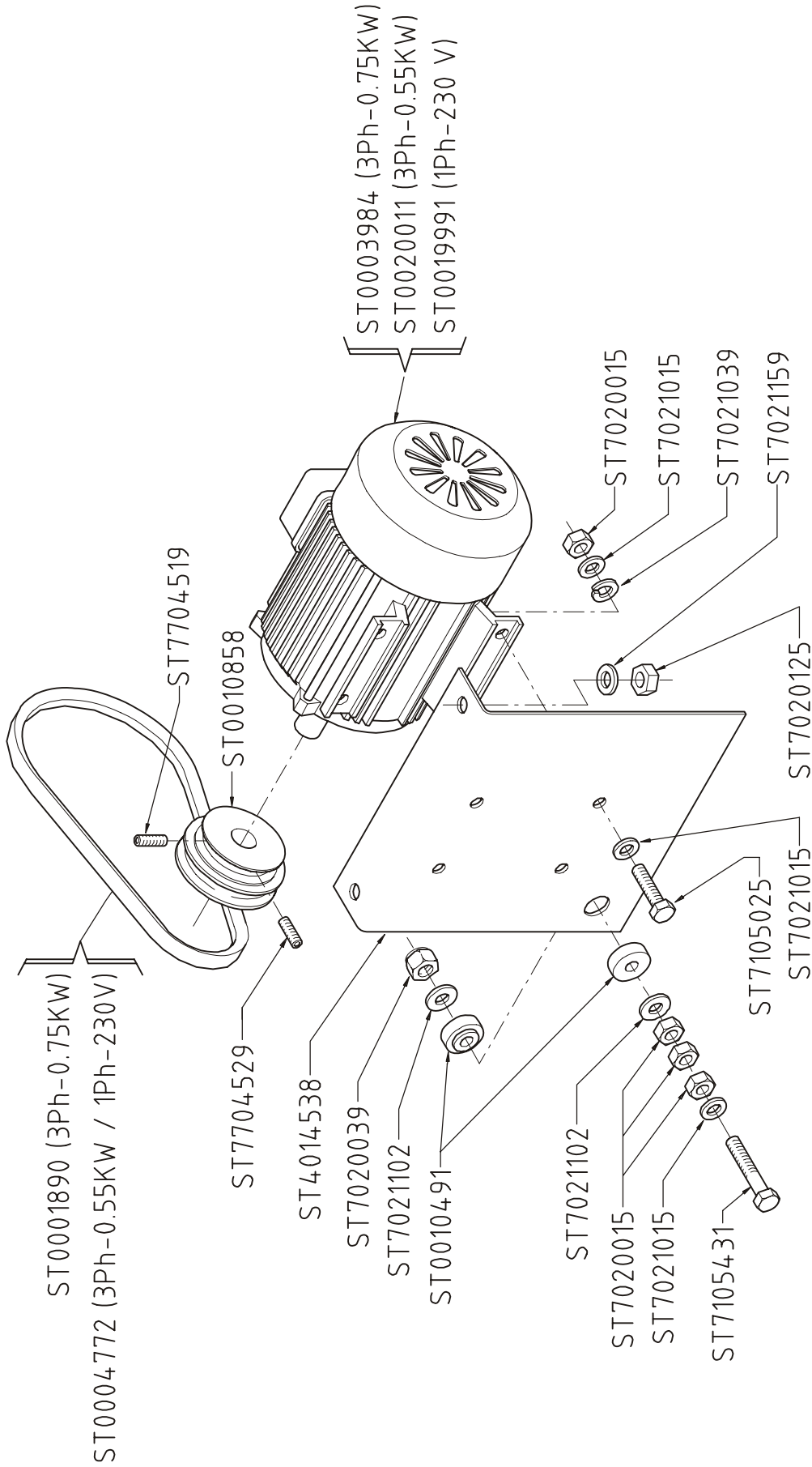
121-4-April-07

627





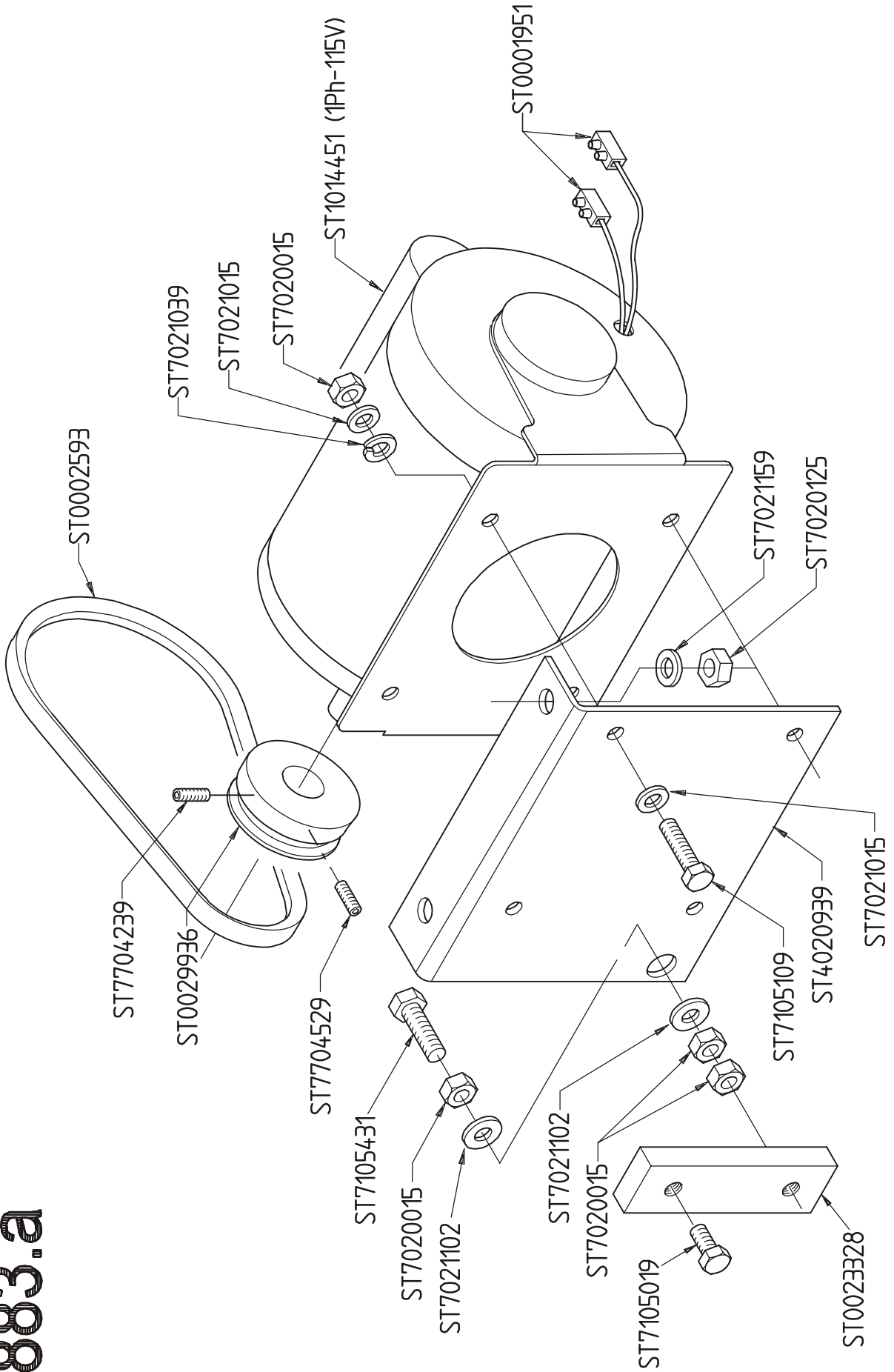
628





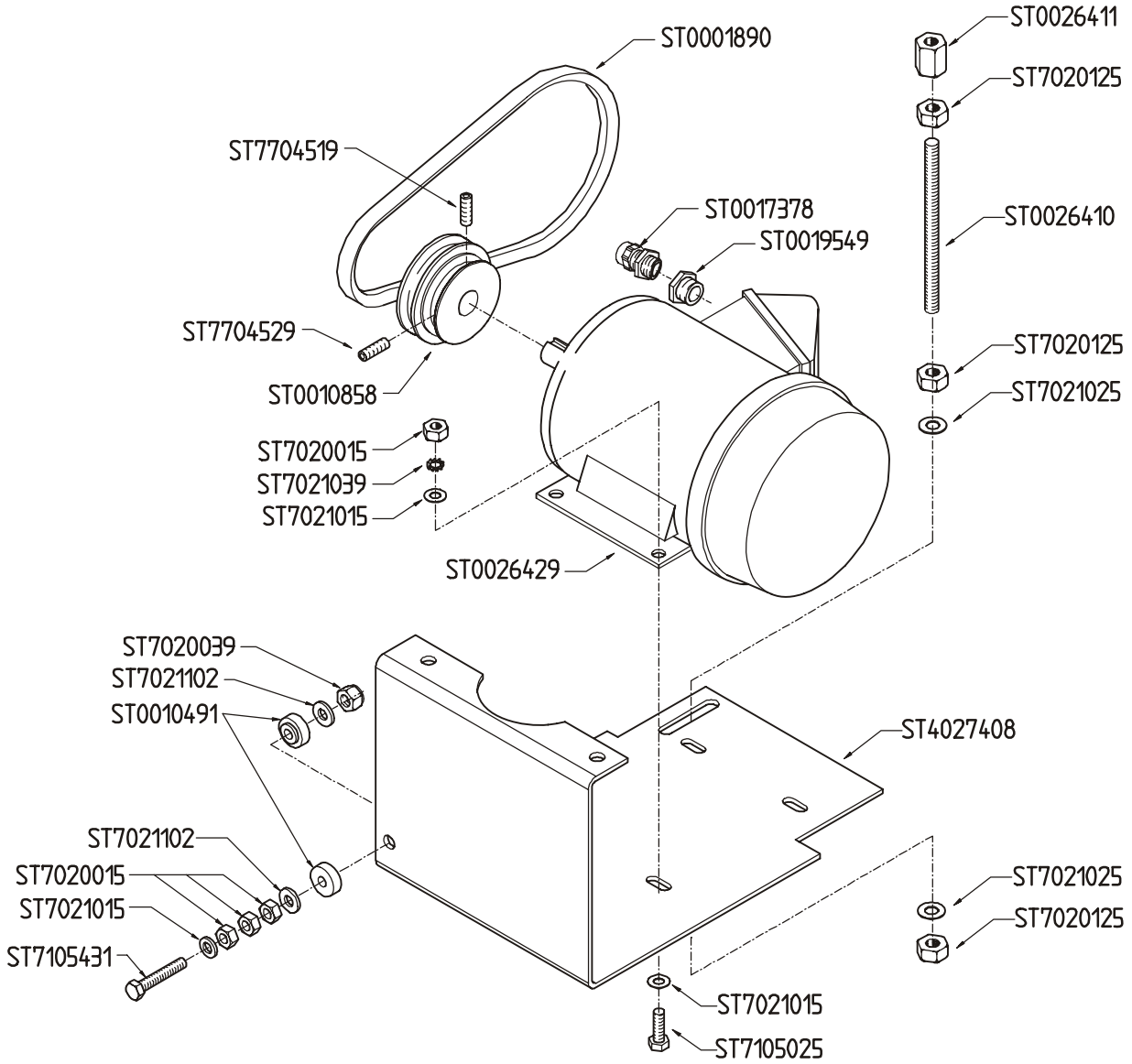
121-4-April-07

883.a





1539



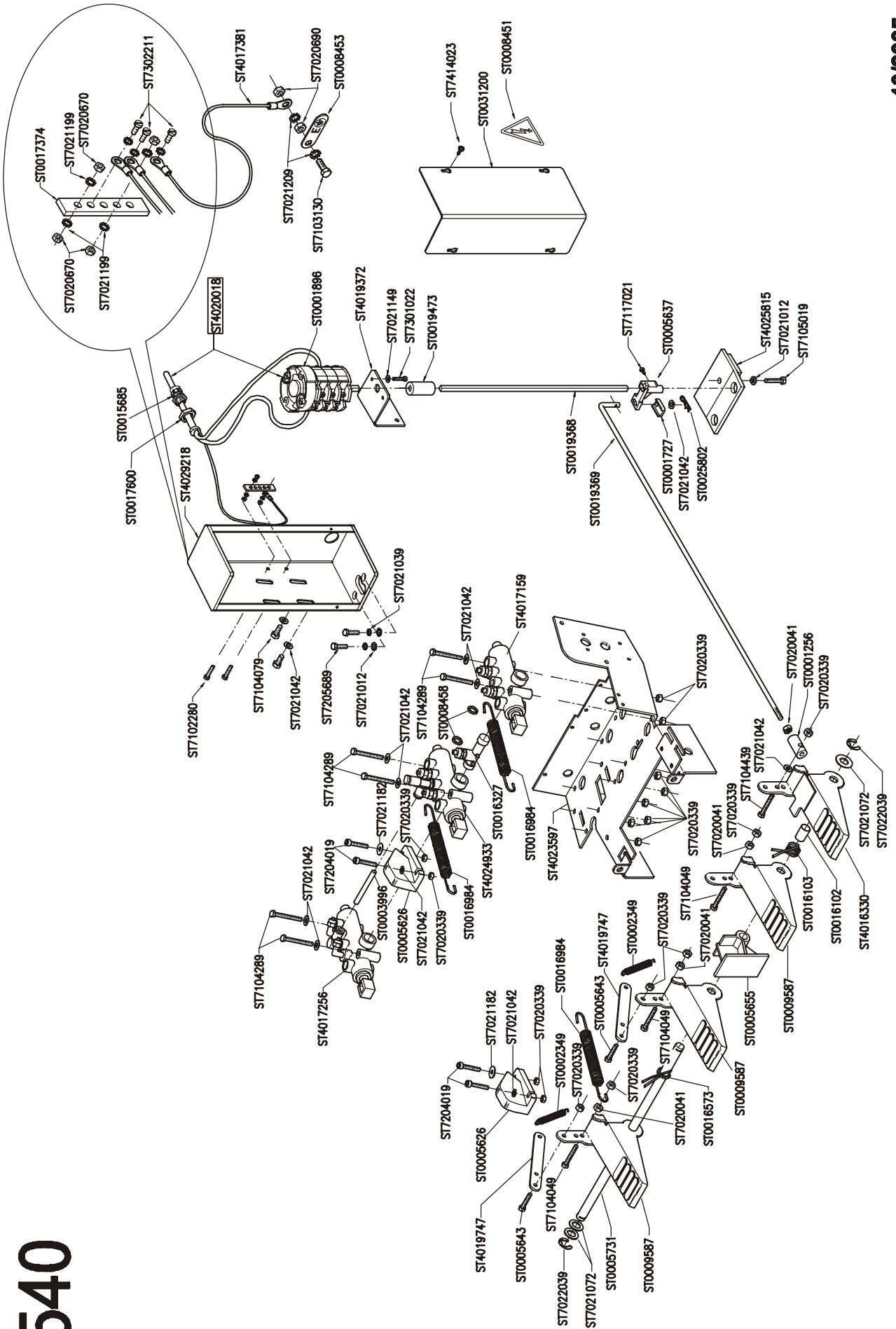
121-1-April-07

10/2005



1540

121-F-April-07

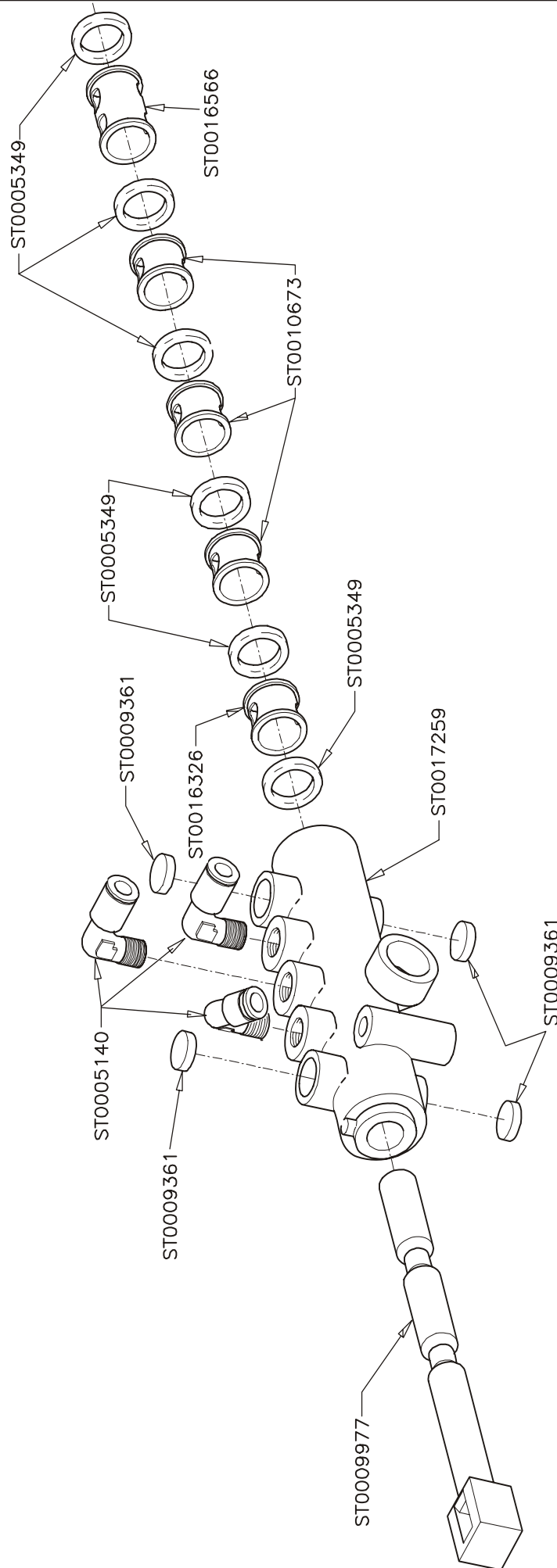




ST4017256

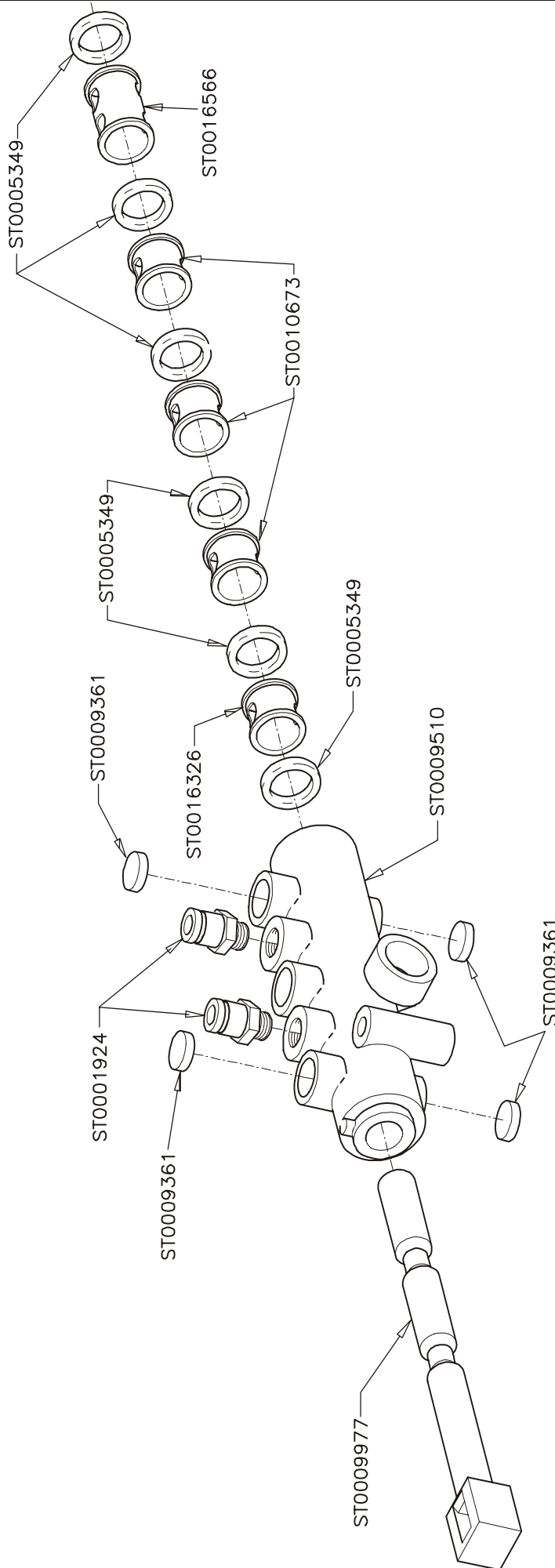
09/97

640





639



ST4017159

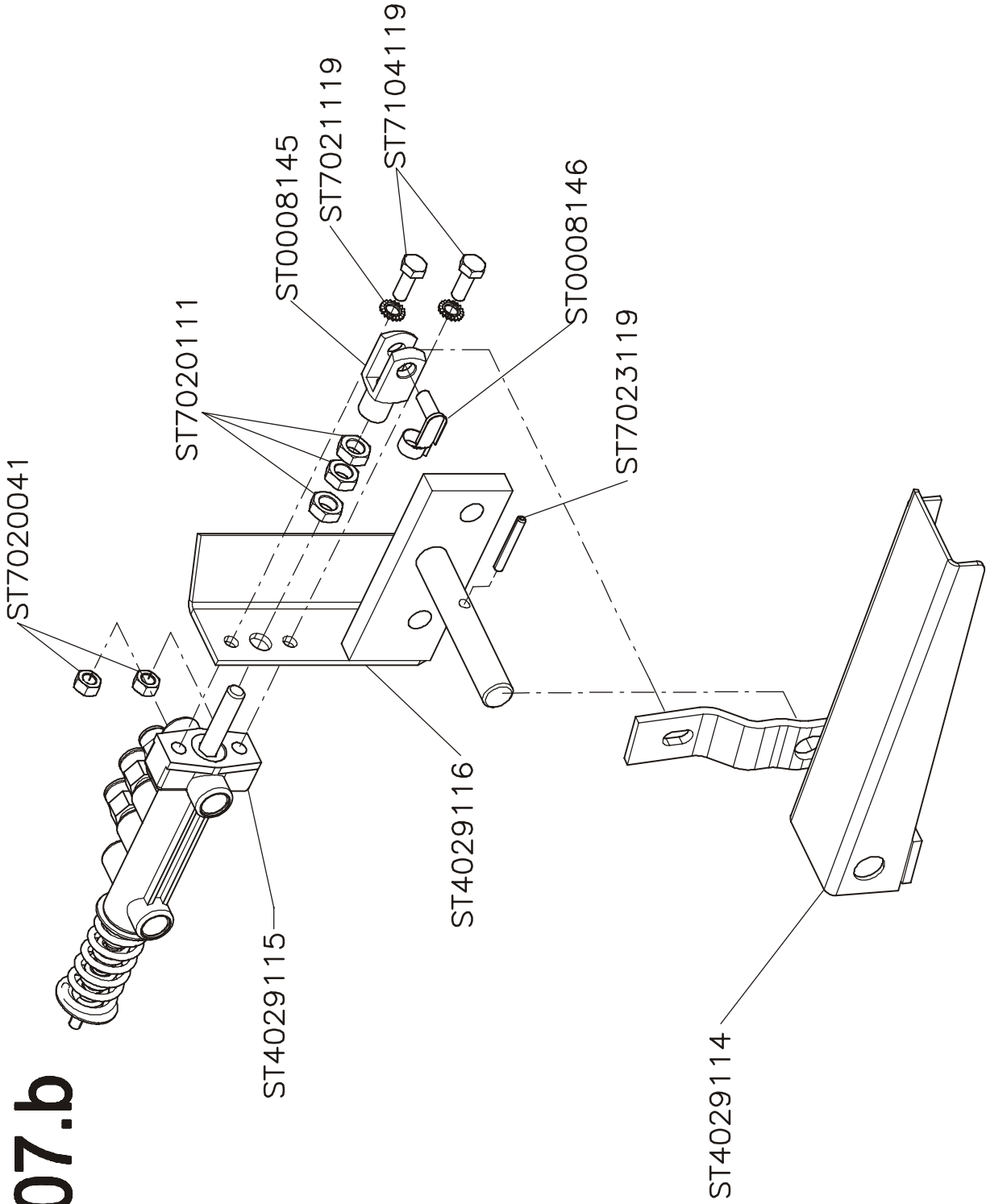
09/97

121-f-April-07



121-F-April-07

1507.b

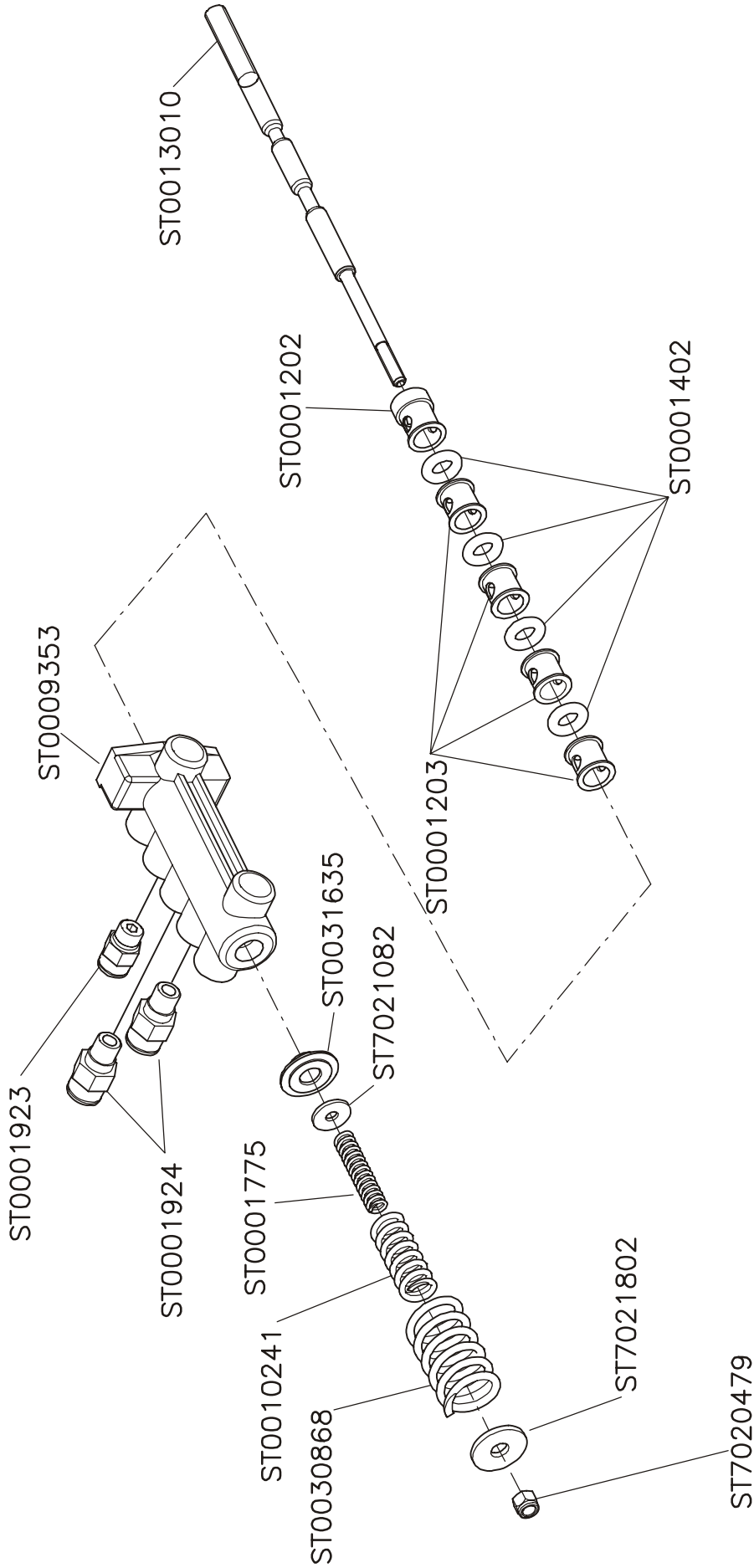


ST4029117

03/2006



1509.b



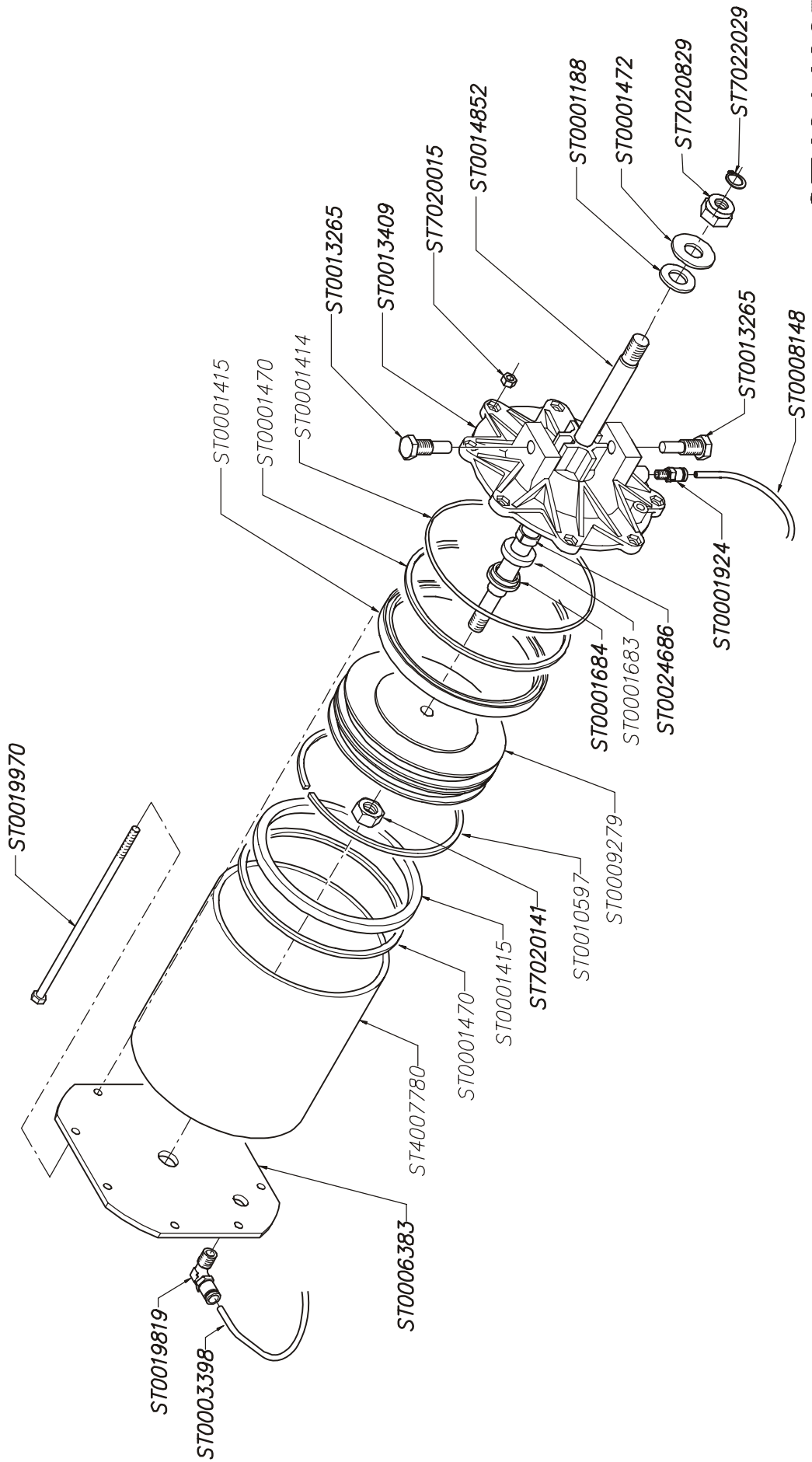
ST4029115

03/2006



121-4-April-07

591.C

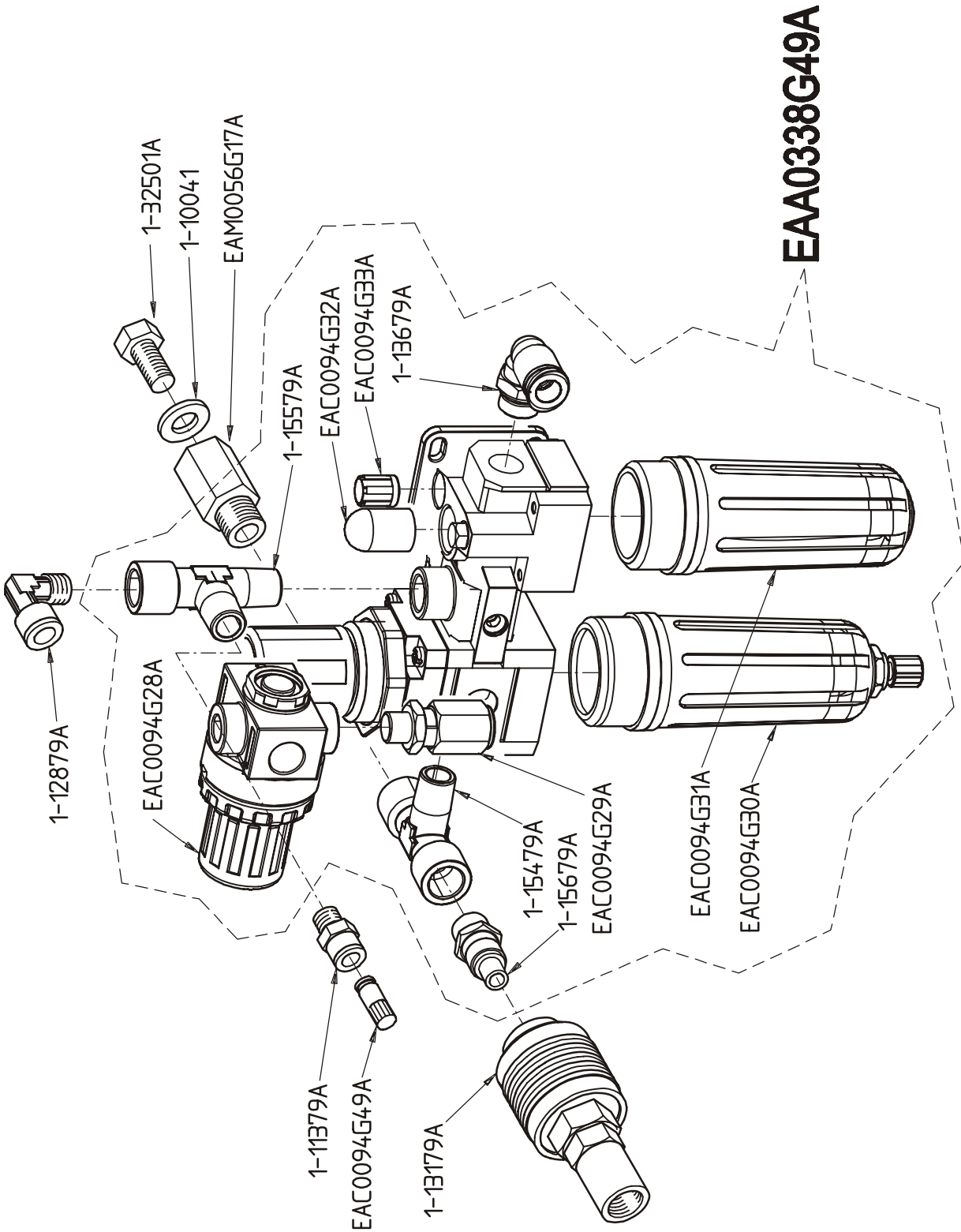


ST4014897

03/2006



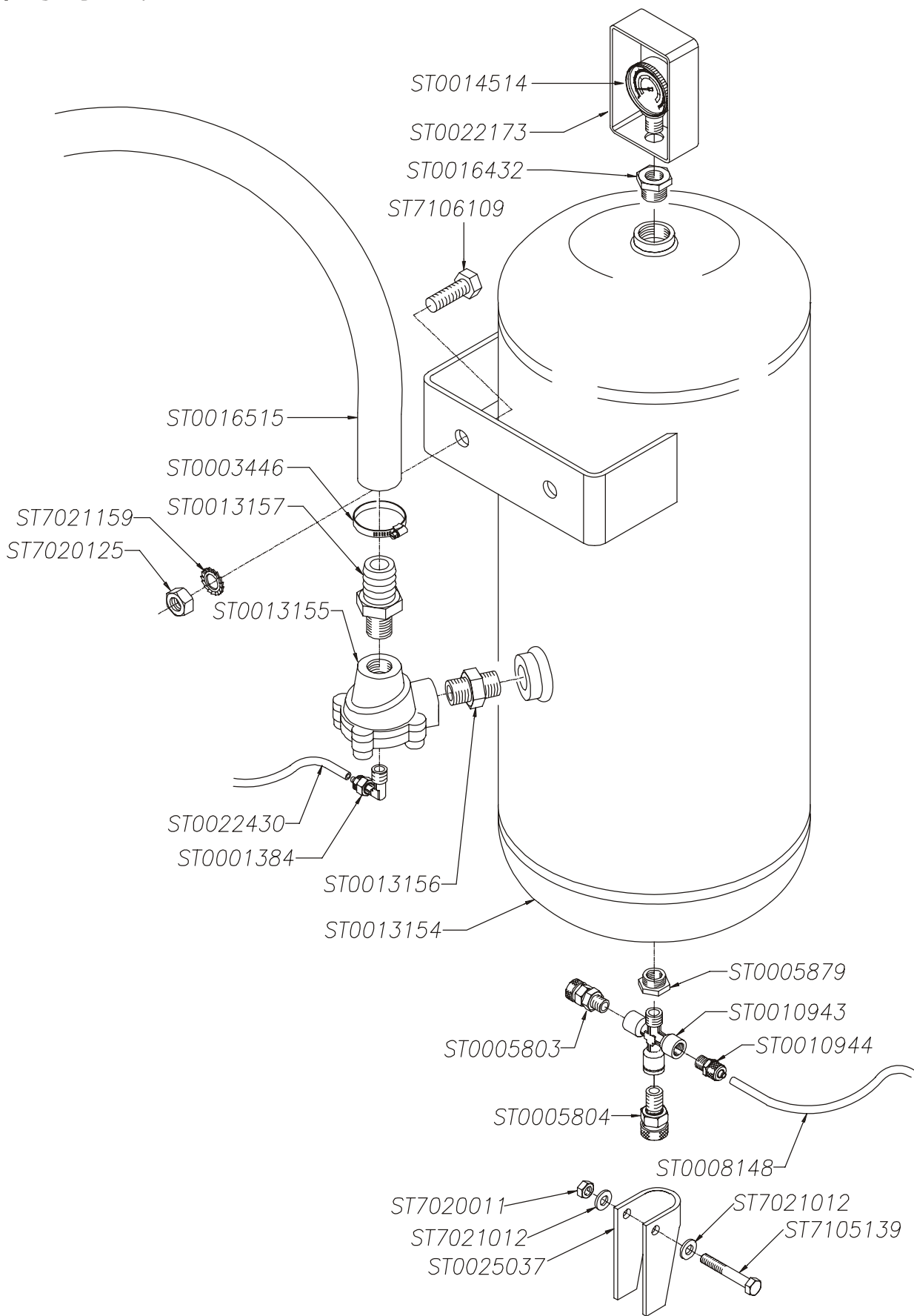
1589



121-1-April-07



633.C

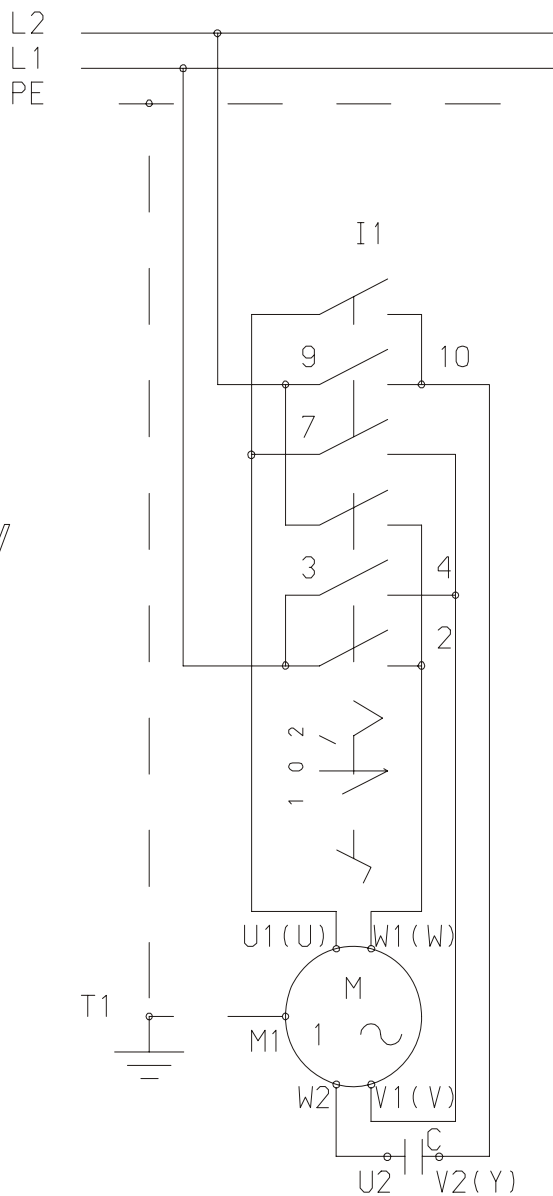


121-April-07

04/2005



1ph-230v



		X
X		X
X		
X		X
		X
1	0	2

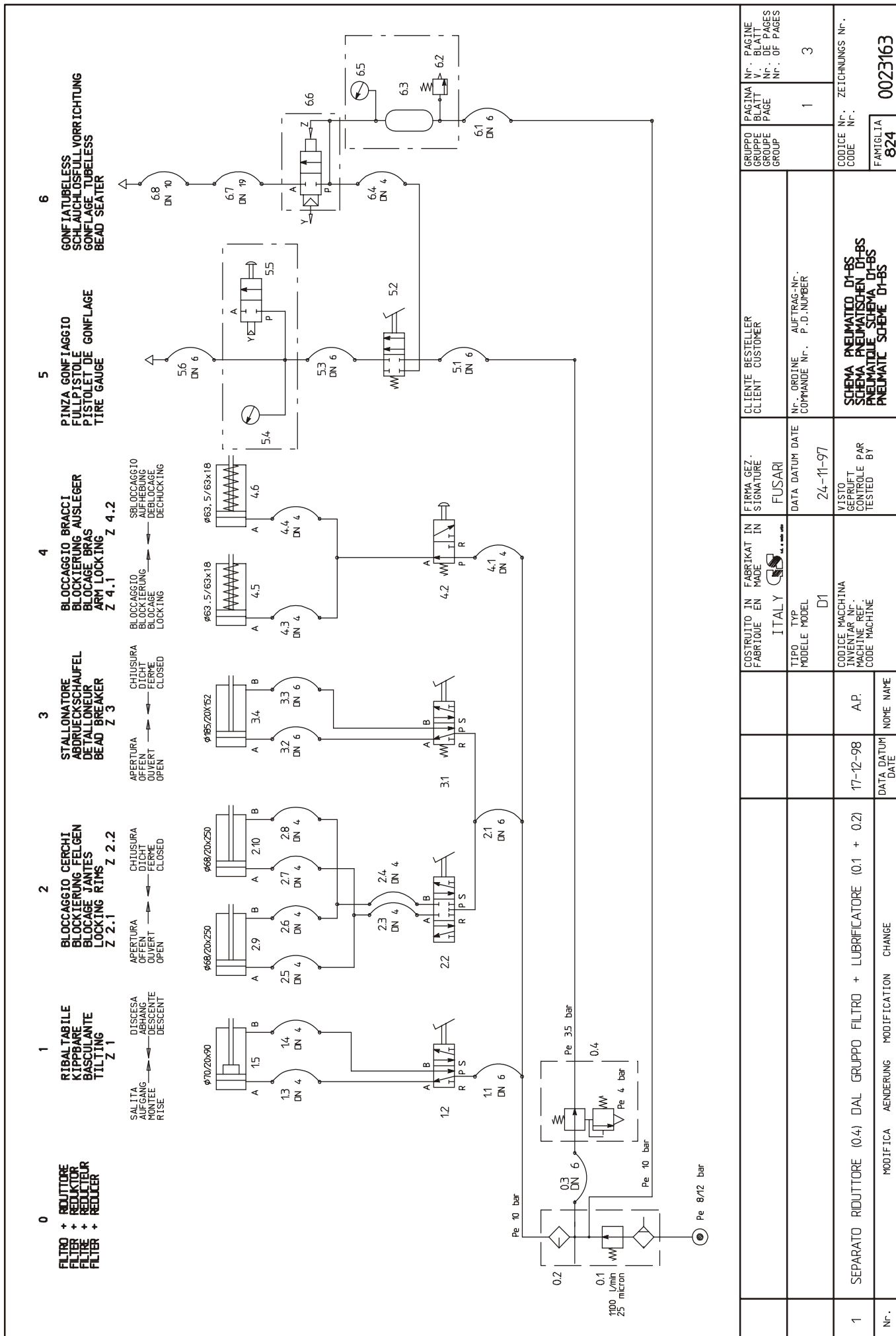
- | | | | | |
|----|--------------|--------------|------------------|-------------|
| C | condensatore | condensateur | capacitor | Kondensator |
| I1 | invertitore | inverseur | reversing switch | Wendesalter |
| M1 | motore | moteur | motor | Motor |
| T1 | carcassa | chassis | frame | Gehaeuse |

121-4-April-07

1	AGGIUNTO CONDENSATORE			16-06-92	N.C.	
Nr.	MODIFICA	AENDERUNG	MODIFICATION	CHANGE	DATA DATUM DATE	NOME NAME
FAMIGLIA	824	FIRMA GEZ. SIGNATURE	N.C.	CLIENTE BESTELLER CLIENT CUSTOMER	GRUPPO GRUPPE GROUPE GROUP	PAGINA BLATT PAGE
TIPO TYP MODELE MODEL	EKO	DATA DATUM DATE	13-07-88	Nr. ORDINE COMMANDE Nr. AUFTRAG-Nr. P.D.NUMBER	1	Nr. PAGINE V. BLATT Nr. DE PAGES Nr. OF PAGES
CODICE MACCHINA INVENTAR Nr. MACHINE REF. CODE MACHINE	VISTO GEPRUFT CONTROLE PAR TESTED BY	SCHEMA ELETTRICO SMONTAGOMME MONOFASE		CODICE Nr. ZEICHNUNGS Nr. CODE Nr.	0009017	

121-4-April-07

POS.	Q.T.A. STÜCK Q.T.E Q.T.Y	DENOMINAZIONE	BENENNUNG	DESCRIPTION	STIGLA E NORMA TIP- UND NORMENBEZEICHNUNG REF. AND NORRH	PRODUTTORE/FORNITORE HERSTELLER/LIEFERANT PRODUCTEUR/SUPPLIER	DATA DATUM	DATE	NOME NAME	17-12-98	A.P.	0.1	0.2	0.4	0.1 + 0.2	MODIFICA	ÄNDERUNG	MODIFICATION	CHANGE
2.8	1	CILINDRO A DOPPIO EFFETTO DOPPEL WIRKENDER ZYLINDER VERIN A DOUBLE EFFECT CILINDER AT DOUBLE EFFECT	GS																
2.7	1	CILINDRO A DOPPIO EFFETTO DOPPEL WIRKENDER ZYLINDER VERIN A DOUBLE EFFECT CILINDER AT DOUBLE EFFECT	GS																
2.6	1	TUBO FLESSIBILE TUYAU FLEXIBLE FLEXIBLE TUBE	MAZZER MAT. PLASTICHE																
2.5	1	TUBO FLESSIBILE TUYAU FLEXIBLE FLEXIBLE TUBE	MAZZER MAT. PLASTICHE																
2.4	1	TUBO FLESSIBILE TUYAU FLEXIBLE FLEXIBLE TUBE	MAZZER MAT. PLASTICHE																
2.3	1	TUBO FLESSIBILE TUYAU FLEXIBLE FLEXIBLE TUBE	MAZZER MAT. PLASTICHE																
2.2	1	VALVOLA A 5 VIE FUNSETTIGE VENITIL VANNE A 5 VOIES FIVEWAY VALVE	GS																
2.1	1	TUBO FLESSIBILE TUYAU FLEXIBLE FLEXIBLE TUBE	MAZZER MAT. PLASTICHE																
1.5	1	CILINDRO A DOPPIO EFFETTO DOPPEL WIRKENDER ZYLINDER VERIN A DOUBLE EFFECT CILINDER AT DOUBLE EFFECT	GS																
1.4	1	TUBO FLESSIBILE TUYAU FLEXIBLE FLEXIBLE TUBE	MAZZER MAT. PLASTICHE																
1.3	1	TUBO FLESSIBILE TUYAU FLEXIBLE FLEXIBLE TUBE	MAZZER MAT. PLASTICHE																
1.2	1	VALVOLA A 5 VIE FUNSETTIGE VENITIL VANNE A 5 VOIES FIVEWAY VALVE	GS																
1.1	1	TUBO FLESSIBILE TUYAU FLEXIBLE FLEXIBLE TUBE	MAZZER MAT. PLASTICHE																
0.4	1	RIDUTTORE * VALVOLA DI SICUREZZA REDUKTOR * SICHERHEITSVENITIL REDUCTEUR * SOUPAPE DE SECURETE REDUCER * SAFETY VALVE	STAMPOTECNICA																
0.3	1	TUBO FLESSIBILE TUYAU FLEXIBLE FLEXIBLE TUBE	MAZZER MAT. PLASTICHE																
0.2	1	LUBRIFICATORE SCHMIERVORRICHTUNG LUBRIFICATOR	STAMPOTECNICA																
0.1	1	FILTRO * RIDUTTORE FILTER * REDUCTEUR FILTRE * REDUCER	STAMPOTECNICA																
POS.	Q.T.A. STÜCK Q.T.E Q.T.Y	DENOMINAZIONE	BENENNUNG	DESCRIPTION	STIGLA E NORMA TIP- UND NORMENBEZEICHNUNG REF. AND NORRH	PRODUTTORE/FORNITORE HERSTELLER/LIEFERANT PRODUCTEUR/SUPPLIER	DATA DATUM	DATE	NOME NAME	17-12-98	A.P.	0.1	0.2	0.4	0.1 + 0.2	MODIFICA	ÄNDERUNG	MODIFICATION	CHANGE



- 0** **REDUTTORE**
FILTER + REDUKTOR
FILTRÉ + REDUKTEUR
FILTER + REDUKTOR
- 1** **RIBALTABILE**
KIPPBARE
BASCULANTE
TILTING
- 2** **BLOCCAGGIO CERCHI**
BLOCKIERUNG FELGEN
BLOCCAGE JANTES
LOCKING RIMS
- 3** **STALLONATORE**
ABDRUECKSCHAUVEL
DETALONEUR
BEAD BREAKER
- 4** **BLOCCAGGIO BRACCI**
BLOCKIERUNG AUSLEGER
BLOCCAGE BRAS
ARM LOCKING
- 5** **PINZA GONFIAGGIO**
PISTOLET DE GONFLAGE
TYRE GAUGE
- 6** **GONFIATUBELESS**
SCHLAUCHLOSELL-VORRICHTUNG
GONFLAGE-TUBELESS
BEAD SEATER

SALITA AUMENTO DISCESA
AUFGANG ABWARTUNG DISCENTE
RTSE RTSE DESCENTE

APERTURA OUVERT CHIUSURA
OUVERT OUVERT FERMÉ
OPEN OPEN CLOSED

BLOCCAGGIO ABBRECCIO
BLOCKIERUNG ABBRECCIO
BLOCCAGE ABBRECCIO
LOCKING ABBRECCIO
LOCKING DECHUCKING

1	SEPARATO RIDUTTORE (0.4) DAL GRUPPO FILTRO + LUBRIFICATORE (0.1 + 0.2)	17-12-98	A.P.	CODICE MACCHINA INVENTAR N°. MACHINE REF. CODE MACHINE		TIPO TYP MODELE MODEL		COSTRUITO IN FABBRICAT IN FABRIQUE EN MADE		FIRMA GEZ. SIGNATURE		CLIENTE BESTELLER CLIENT CUSTOMER		GRUPPO GRUPPE GROUPE GROUP		PAGINA V. PAGINE BLATT N° DE PAGES PAGE N° OF PAGES		
	MODIFICA AENDERUNG MODIFICATION CHANGE	DATA DATUM DATE	NOME NAME	CODICE N°. ZEICHNUNGS N°.		N° ORDINE COMMANDE N°.		P. D. NUMBER		FUSARI		24-11-97		24-11-97		1		3
Nr.	SCHEMA PNEUMATICO D1-BS SCHEMA PNEUMATISCHEN D1-BS PNEUMATIQUE SCHEMA D1-BS PNEUMATIC SCHEME D1-BS													FAMIGLIA 824		0023163		

121-t-April-07

121-4-April-07

28	1	TUBO FLESSIBILE SCHLAUCH FLEXIBLE TUYAU FLEXIBLE			MAZZER MAT. PLASTICHE	56	1	VALVOLA A 2 VIE ZWEISEITIGE VENTIL TWO-WAY VALVE			GS	
27	1	TUBO FLESSIBILE SCHLAUCH FLEXIBLE TUYAU FLEXIBLE			MAZZER MAT. PLASTICHE	55	1	MANOMETRO MANDOMETR MANOMETER			WIKA O 6AV	
26	1	TUBO FLESSIBILE SCHLAUCH FLEXIBLE TUYAU FLEXIBLE			MAZZER MAT. PLASTICHE	54	1	TUBO FLESSIBILE SCHLAUCH FLEXIBLE TUYAU FLEXIBLE			MAZZER MAT. PLASTICHE	
25	1	TUBO FLESSIBILE SCHLAUCH FLEXIBLE TUYAU FLEXIBLE			MAZZER MAT. PLASTICHE	52	1	VALVOLA A 4 VIE VERSIEBTE VENTIL WANNE A 4 VOIES FOURWAY VALVE			GS	
24	1	TUBO FLESSIBILE SCHLAUCH FLEXIBLE TUYAU FLEXIBLE			MAZZER MAT. PLASTICHE	51	1	TUBO FLESSIBILE SCHLAUCH FLEXIBLE TUYAU FLEXIBLE			MAZZER MAT. PLASTICHE	
23	1	TUBO FLESSIBILE SCHLAUCH FLEXIBLE TUYAU FLEXIBLE			MAZZER MAT. PLASTICHE	46	1	CLINDRO A SEMPLICE EFFETTO EINFACH WIRKENDE ZYLINDER VERN A SIMPLE EFFECT CYLINDER AT SIMPLE EFFECT			GS	
22	1	VALVOLA A 5 VIE FUNFSEITIGE VENTIL WANNE A 5 VOIES FIVEWAY VALVE			GS	45	1	CLINDRO A SEMPLICE EFFETTO EINFACH WIRKENDE ZYLINDER VERN A SIMPLE EFFECT CYLINDER AT SIMPLE EFFECT			GS	
21	1	TUBO FLESSIBILE SCHLAUCH FLEXIBLE TUYAU FLEXIBLE			MAZZER MAT. PLASTICHE	44	1	TUBO FLESSIBILE SCHLAUCH FLEXIBLE TUYAU FLEXIBLE			MAZZER MAT. PLASTICHE	
15	1	CLINDRO A DOPPIO EFFETTO DOPPELTWIRKENDE ZYLINDER VERN A DOUBLE EFFECT CYLINDER AT DOUBLE EFFECT			GS	43	1	TUBO FLESSIBILE SCHLAUCH FLEXIBLE TUYAU FLEXIBLE			MAZZER MAT. PLASTICHE	
14	1	TUBO FLESSIBILE SCHLAUCH FLEXIBLE TUYAU FLEXIBLE			MAZZER MAT. PLASTICHE	42	1	VALVOLA A 3 VIE DREISEITIGE VENTIL WANNE A 3 VOIES THREWAY VALVE			GS	
13	1	TUBO FLESSIBILE SCHLAUCH FLEXIBLE TUYAU FLEXIBLE			MAZZER MAT. PLASTICHE	41	1	TUBO FLESSIBILE SCHLAUCH FLEXIBLE TUYAU FLEXIBLE			MAZZER MAT. PLASTICHE	
12	1	VALVOLA A 5 VIE FUNFSEITIGE VENTIL WANNE A 5 VOIES FIVEWAY VALVE			GS	34	1	CLINDRO A DOPPIO EFFETTO DOPPELTWIRKENDE ZYLINDER VERN A DOUBLE EFFECT CYLINDER AT DOUBLE EFFECT			GS	
11	1	TUBO FLESSIBILE SCHLAUCH FLEXIBLE TUYAU FLEXIBLE			MAZZER MAT. PLASTICHE	33	1	TUBO FLESSIBILE SCHLAUCH FLEXIBLE TUYAU FLEXIBLE			MAZZER MAT. PLASTICHE	
04	1	REDUTTORE + VALVOLA DI SICUREZZA REDUKTOR + SICHERHEITSVENTIL REDUCTEUR + SOUPEPE DE SECURETE REDUCER + SAFETY VALVE			STAMPOTECNICA	32	1	TUBO FLESSIBILE SCHLAUCH FLEXIBLE TUYAU FLEXIBLE			MAZZER MAT. PLASTICHE	
03	1	TUBO FLESSIBILE SCHLAUCH FLEXIBLE TUYAU FLEXIBLE			MAZZER MAT. PLASTICHE	31	1	VALVOLA A 5 VIE FUNFSEITIGE VENTIL WANNE A 5 VOIES FIVEWAY VALVE			GS	
02	1	LUBBRIFICATORE SCHMERVORRICHTUNG LUBRIFICATEUR			STAMPOTECNICA	210	1	CLINDRO A DOPPIO EFFETTO DOPPELTWIRKENDE ZYLINDER VERN A DOUBLE EFFECT CYLINDER AT DOUBLE EFFECT			GS	
01	1	FILTRO + RIDUTTORE FILTER + REDUKTOR FILTRER + REDUCTEUR			STAMPOTECNICA	29	1	CLINDRO A DOPPIO EFFETTO DOPPELTWIRKENDE ZYLINDER VERN A DOUBLE EFFECT CYLINDER AT DOUBLE EFFECT			GS	
POS. G.TA. STÜCK Q.TE. G.TY		DENOMINAZIONE BENENNING DESCRIPTION	SIGLA E NORMA TYP- UND NORMENZEICHUNG REF. ET NORMATIVÉ REF. AND NORM	POS.			Q.TA. STÜCK Q.TE. G.TY		DENOMINAZIONE BENENNING DESCRIPTION	CLIENTE BESTELLER CLIENT CUSTOMER		PRODUTTORE/FORNITORE HERSTELLER/LIEFERANT PRODUCTEUR/FOURNIS. PRODUCER /SUPPLIER
									CONSTRUITO IN FABRIQUE EN	FIRMA GEZ. SIGNATURE		GRUPPO GRUPPE GRUPE GROUP
								ITALY	DATA DATUM DATE	FUSARI		PAGINA N°. PAGINE BLATT V. DE PAGES PAGE N°. OF PAGES
								TIPO MODELE MODEL				
								D1	24-11-97			
1		SEPARATO RIDUTTORE (0,4) DAL GRUPPO FILTRO + LUBBRIFICATORE (0,1 + 0,2)			A.P.			CODICE MACCHINA INVENTAR N°. MACHINE REF. CODE MACHINE	VISTO GEPRÜFT CONTROLÉ PAR TESTED BY			PRODUTTORE/FORNITORE HERSTELLER/LIEFERANT PRODUCTEUR/FOURNIS. PRODUCER /SUPPLIER
Nr.		MODIFICA AENDERUNG MODIFICATION CHANGE						DATA DATUM DATE				
												CODICE N°. ZEICHNUNGS N°. CODE N°. FARTIGLITA 824
												0023163



POS.	Q.T.A. STUCK Q.TE. Q.TY	DENOMINAZIONE BENENNING DESCRIPTION	SIGLA E NORMA TYP - UND NORMENBEZEICHNUNG REF. ET NORMATIVE REF. AND NORM	SICLA E NORMA TYP - UND NORMENBEZEICHNUNG REF. ET NORMATIVE REF. AND NORM	O.T.A. STUCK Q.TE. Q.TY	FABRITATO IN FABRIKAT IN MADE IN	DENOMINAZIONE BENENNING DESCRIPTION	SIGLA E NORMA TYP - UND NORMENBEZEICHNUNG REF. ET NORMATIVE REF. AND NORM	GRUPPO GRUPE GRUPE GROUP	PRODUTTORE/FORNITORE HERSTELLER/LIEFERANT PRODUCTEUR/FOURNISS. PRODUCER /SUPPLIER	PAGINA BLATT PAGE PAGE	V. BLATT Nf. DE PAGES Nf. OF PAGES	3	3	0023163
6.8	4	TUBO FLESSIBILE SCHLAUCH TUYAU FLEXIBLE FLEXIBLE TUBE	S.A. HELIVYL 40 BAR AGRY SPRAY HOSE 40 BAR	FONTANESI E MARTINELLI ALFA ROMEO ITALIA											
6.7	1	TUBO FLESSIBILE SCHLAUCH TUYAU FLEXIBLE FLEXIBLE TUBE	IDEALCARBUR W.P. 10 BAR	MANULI											
6.6	1	VALVOLA A COMANDO PNEUMATICO VENTIL A COMMANDE PNEUMATIQUE VALVE WITH PNEUMATIC DRIVE	1" AF 255100	KPM											
6.5	1	MANOMETRO MANOMETRE MANOMETER	ART. 902	DIERRE											
6.4	1	TUBO FLESSIBILE SCHLAUCH TUYAU FLEXIBLE FLEXIBLE TUBE		MAZZER MAT. PLASTICHE											
6.3	1	SERRATOIO RESERVOIR TANK		CMBB.											
6.2	1	VALVOLA DI SICUREZZA SICHERHEITSENTIL SOUPAPE DE SURETE SAFETY VALVE		STIMA											
6.1	1	TUBO FLESSIBILE SCHLAUCH TUYAU FLEXIBLE FLEXIBLE TUBE		MAZZER MAT. PLASTICHE											
57	1	SCHLAUCH TUYAU FLEXIBLE FLEXIBLE TUBE	IDEAL WP. 20 BAR ISO R 1307	MANULI											
1		SEPARATO RIDUTTORE (0.4) DAL GRUPPO FILTRO + LUBRIFICATORE (0.1 + 0.2)		AP.											
Nf.		MODIFICA AENDERUNG MODIFICATION CHANGE		DATA DATUM DATE											

121-1-April-07



1214-April-07

BLANK PAGE



®

FRANCE
Snap-On Equipment France
Z.A. Du Vert Galant
15, rue de la Guivernone
BP 7175
95310 Saint Ouen L'Aumone
Tel: (33) 1-3448-5878
Fax: (33) 1-3448-5879

UNITED KINGDOM
UK Equipment Ltd.
part of Snap-On Inc.
48 Sutton Park Avenue,
Reading,
Brkshire, RG6 1AZ
Tel. 0118 929 6826
Fax: 0118 966 4369

JBC GERMANY
Snap-on Equipment GmbH
Geschäftsbereich John Bean
Werner-von-Siemens-Str. 2
D-63419 Pfungstadt
Deutschland
Tel: +49 (0) 6157 12 600
Fax: +49 (0) 6157 12 601
Website: www.johnbean.de

LATIN AMERICA-FAR EAST
International Equipment
Group
309 Exchange Avenue
Conway, Arkansas 72032
Tel.: (501) 450-1568
Fax: (501) 450-2086

Manufacturing Facility

Snap-on Equipment S.r.L.
Via Provinciale per Carpi 33,
42015 Correggio (R.E.), Italy
Tel. ++39 (0)522 733480
Fax: ++39 (0)522 733479

Notice: The information contained in this document is subject to change without notice. **John Bean** makes no warranty with regard to this material. **John Bean** shall not be liable for errors contained herein or for incidental consequential damages in connection with furnishings, performance, or use of this material.

This document contains proprietary information which is protected by copyright and patents. All rights are reserved. No part of this document may be photocopied, reproduced, or translated without prior written consent of **John Bean**.



is a registered trademark of John Bean and Snap-on Incorporated.