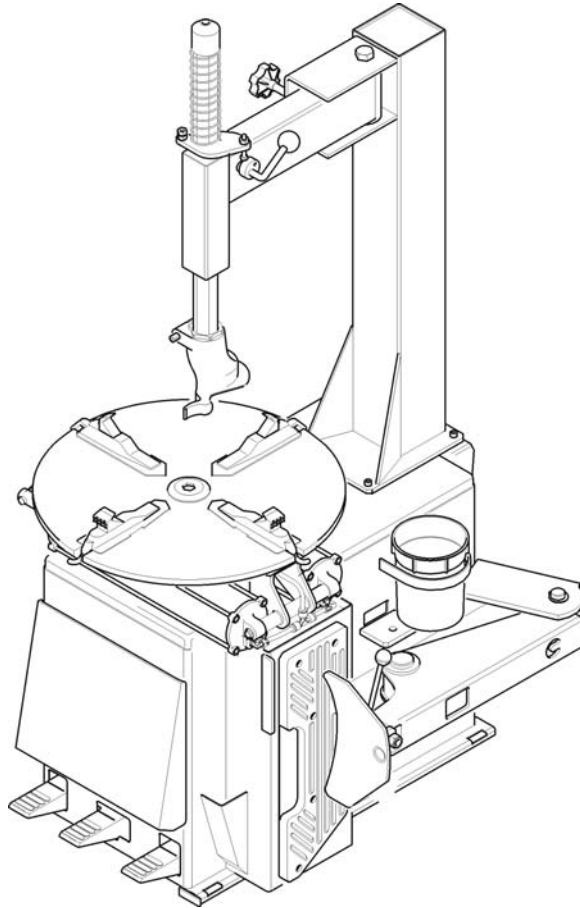




Electro Pneumatic Tire Changer



T 1000-20/BS

Spare Parts

TEEWH523A3 Rev. I May 07



U P D A T I N G G U I D E

MODIFIED / CHANGED PARTS Regarding Revision B of June 2004

List of updated new TABLE from this revision:

825	603
825a	603a

MODIFIED / CHANGED PARTS Regarding Revision C of November 2004

List of Added/Updated TABLES from this revision:

N.A.	N.A.	591
883.a	946.a	591.a

MODIFIED / CHANGED PARTS Regarding Revision D of April 2005

List of Added/Updated TABLES/SCHEME from this revision:

591.a	N.A.	N.A.
591.b	31063	31064

MODIFIED / CHANGED PARTS Regarding Revision E of September 2005

List of Added/Updated TABLES/SCHEME from this revision:

824.a	642	633.b	
1507	1509	633.c	

MODIFY Regarding Revision F of February 2006

Replaced	604.b	1507	
Added	604.c	1507.a	
affected by PCN:	PCN:05G0190	PCN:05G0188	

MODIFIED / CHANGED TABLES Regarding Revision G of June 2006

Replaced	604.e	591.b	1507.a	1509	
Added	604.d	591.c	1507.b	1509.b	
affected by PCN n°	06G0082	06G0030	06G0031	06G0023	06G0031

From **Revision H:**

April 2007

TABLE 1587	replace TABLE 604.d	accordingly to PCN 06G0176 / 06G0181	on PAGE 4
TABLE 1589	replace TABLE 643	accordingly to PCN 07G009	on PAGE 19

From **Revision I:**

May 2007

TABLE 1587.a	replace TABLE 1587	accordingly to PCN 07G0036	on PAGE 4
---------------------	---------------------------	----------------------------	-----------



120-May-07

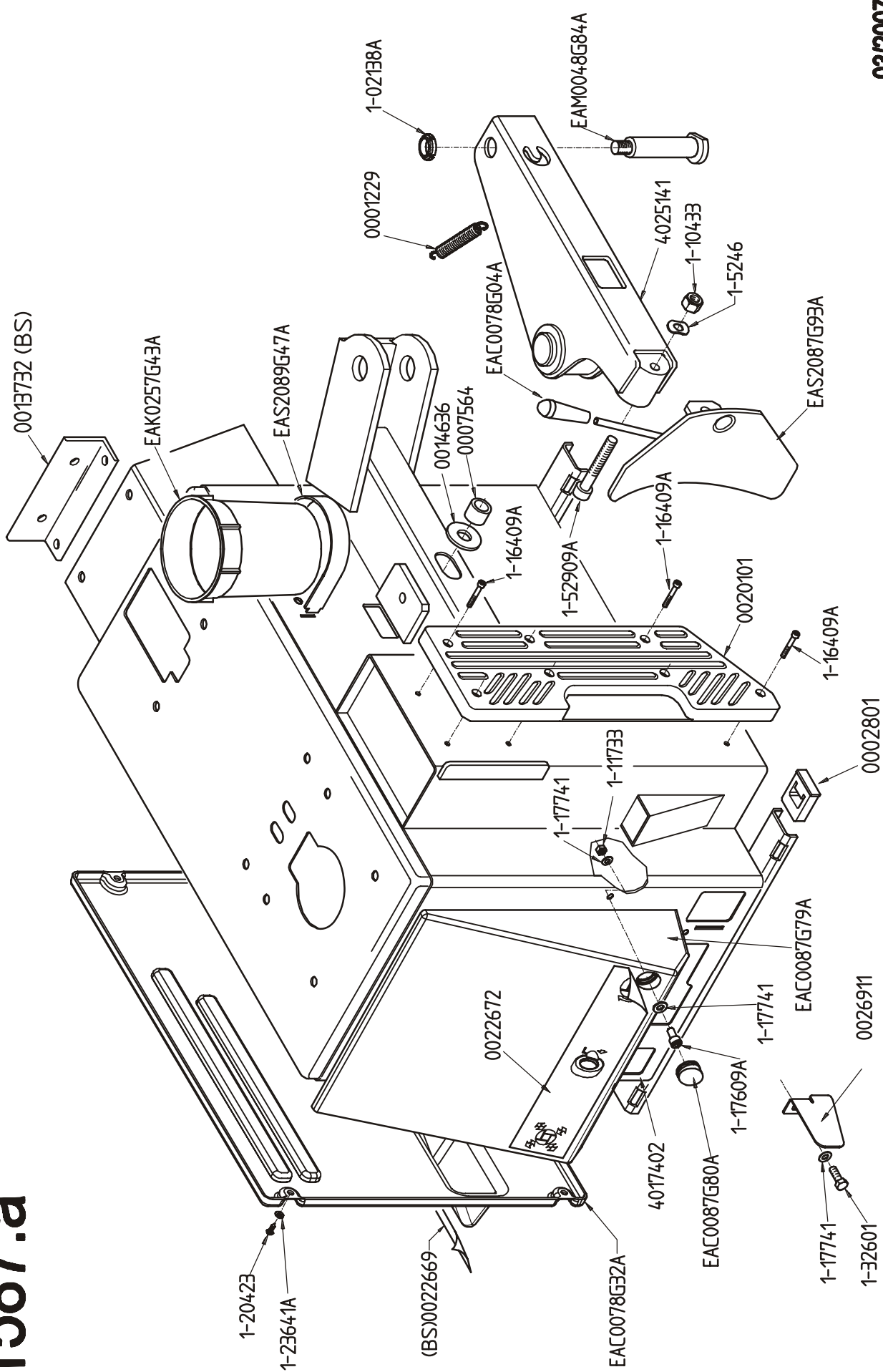
THIS PART IS FOR EXCLUSIVE USE OF QUALIFIED PERSONNEL FOR MAINTENANCE AND SERVICE PURPOSES.

- ◆ **On order specify:** type of machine and serial number item code and quantity.

ST0000000 - BOLD TYPE CODES MEANS: SUGGESTED SPARE PARTS



1587.a



03/2007

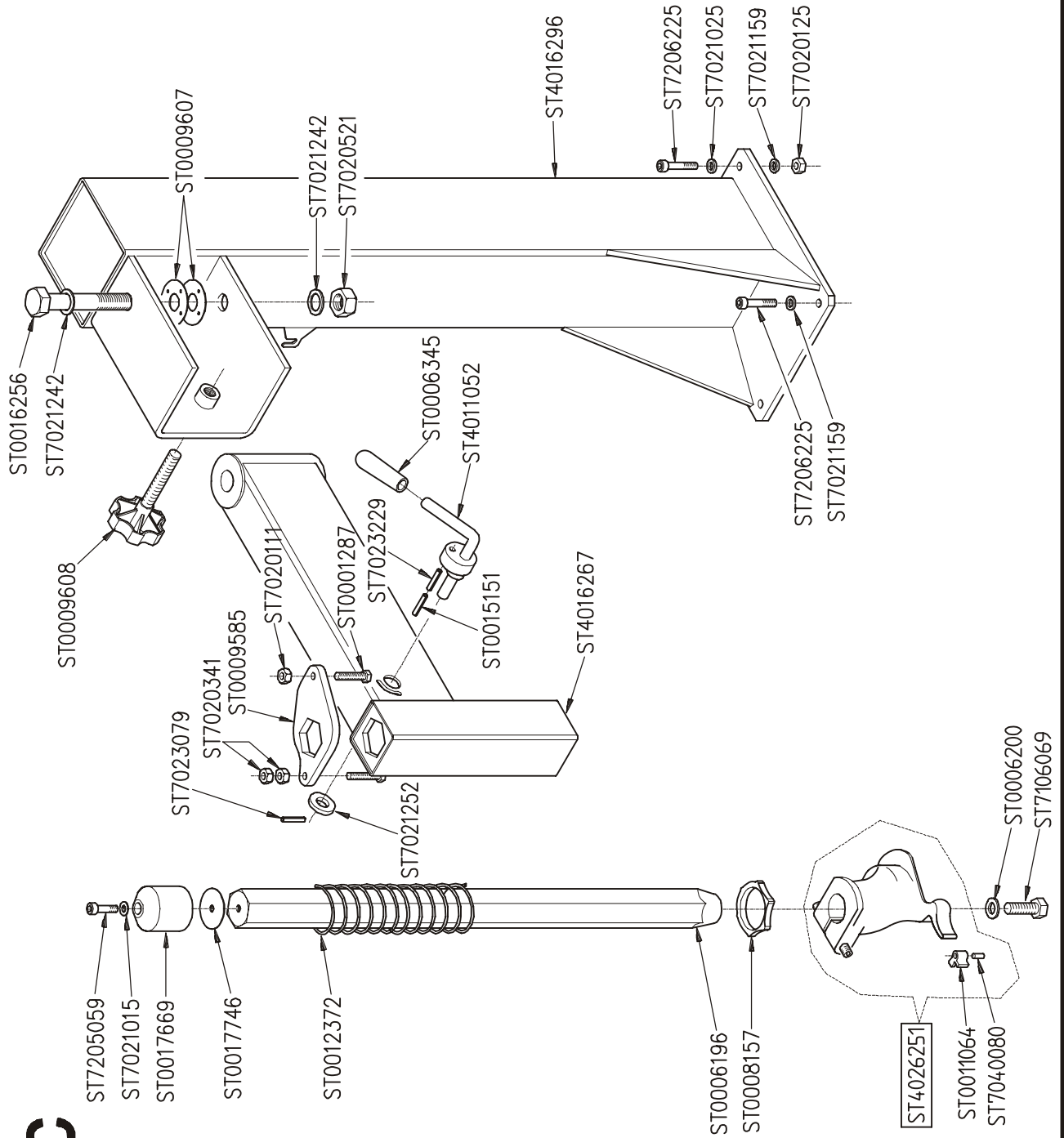
120+May-07



10/2002

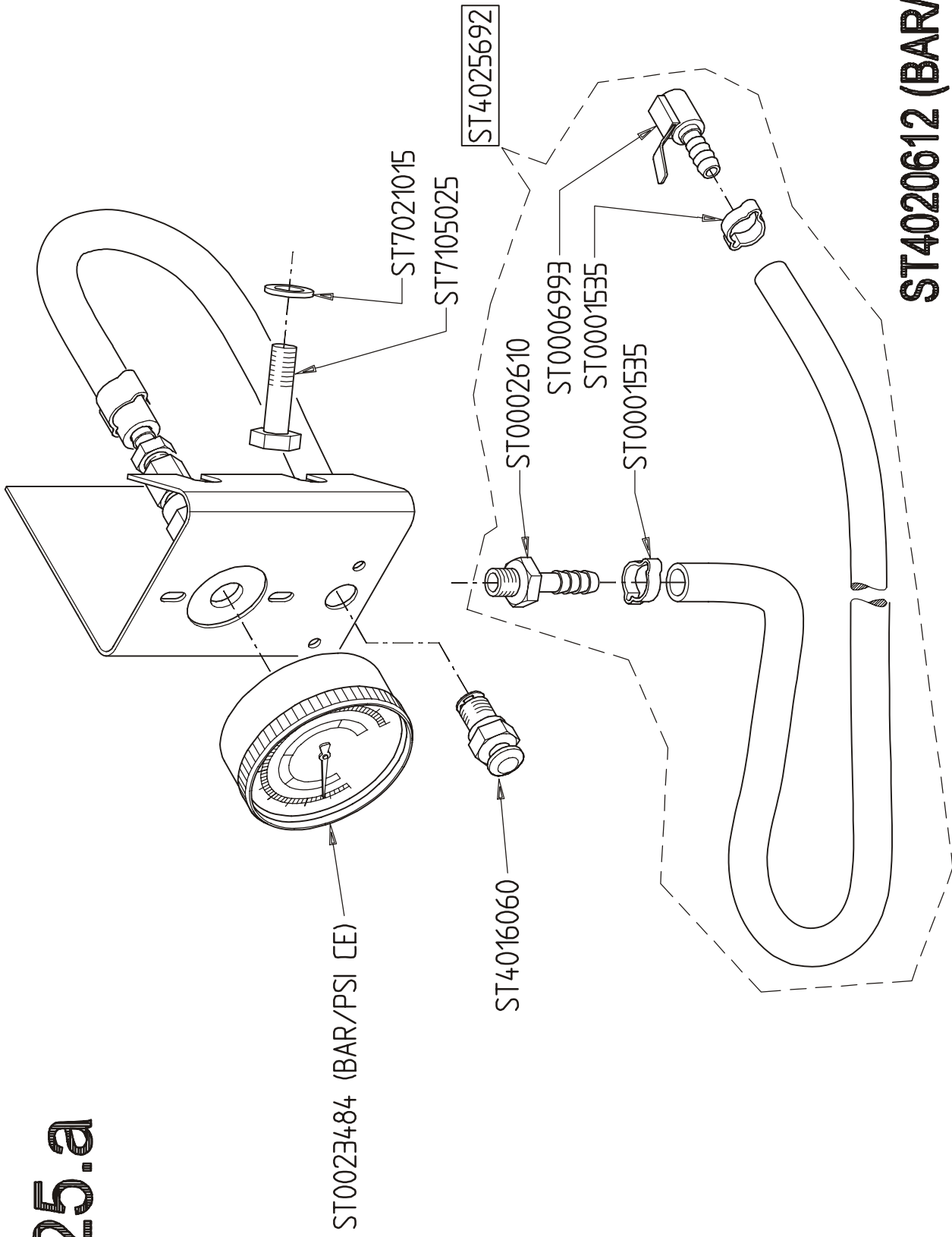
605 .C

120-H-May-07





825.a



ST4020612 (BAR/PSI CE)

06/2004

120-I-May-07

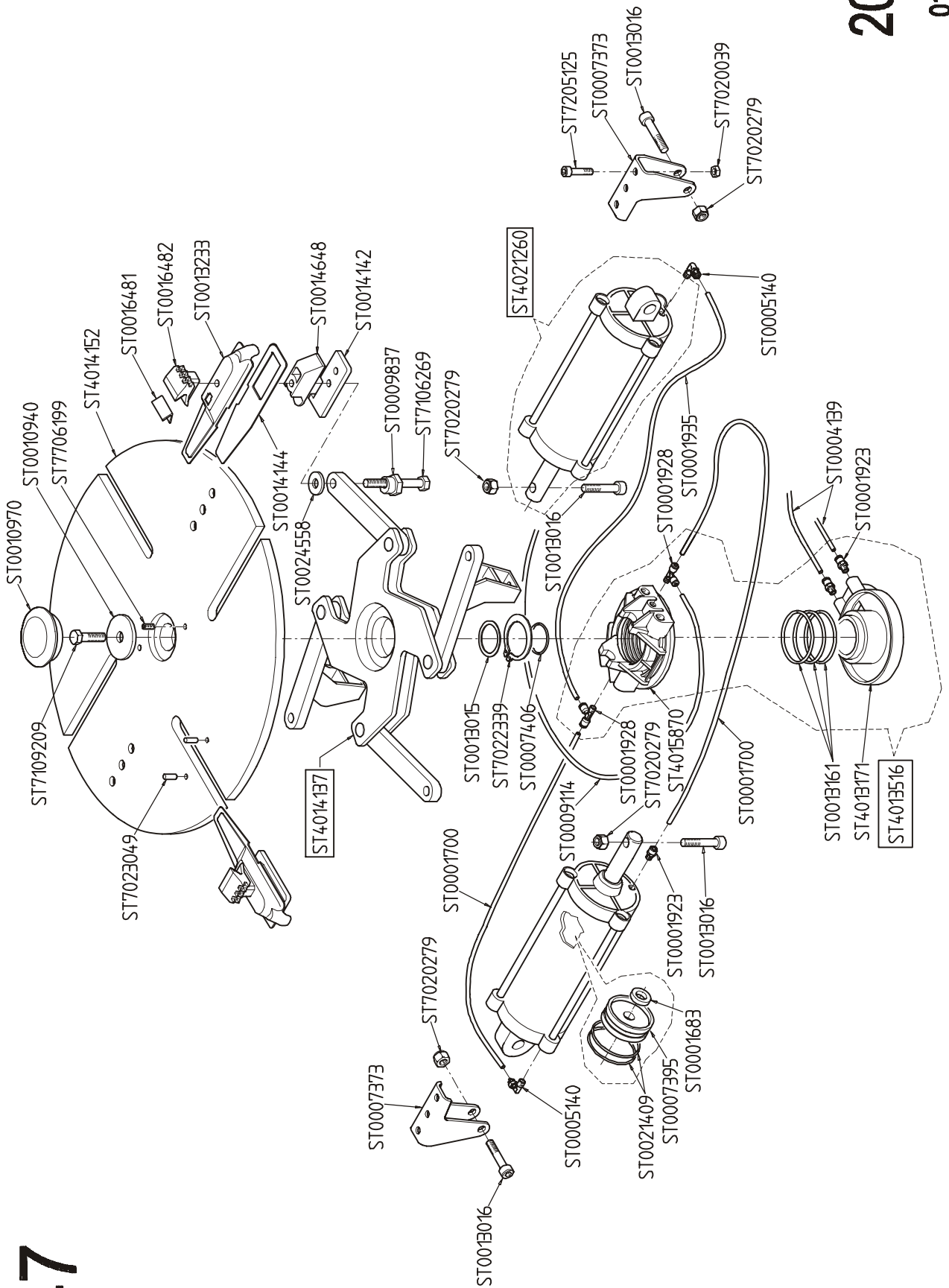


20"

01/2000

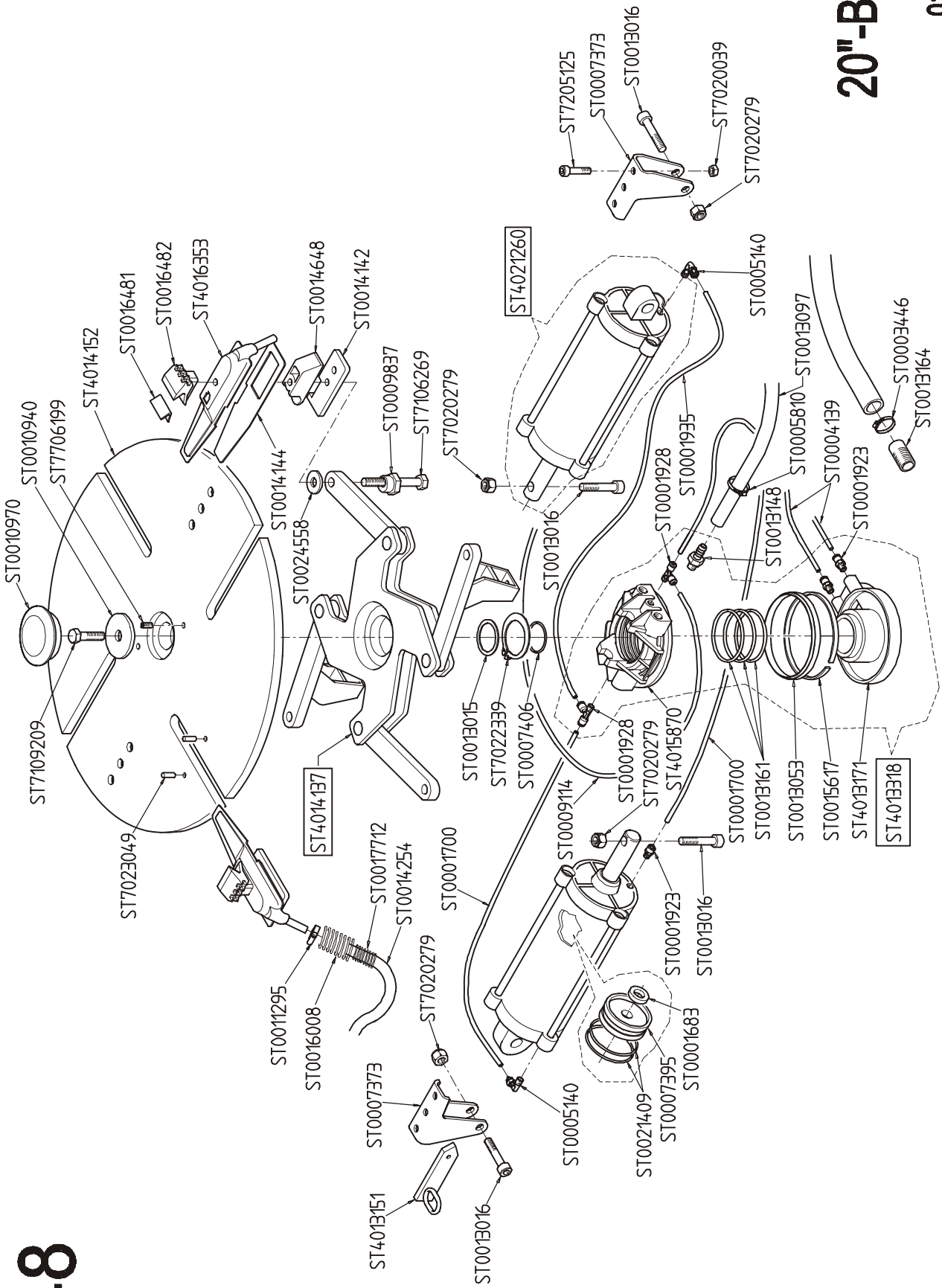
120-May-07

947





948



20"-BS

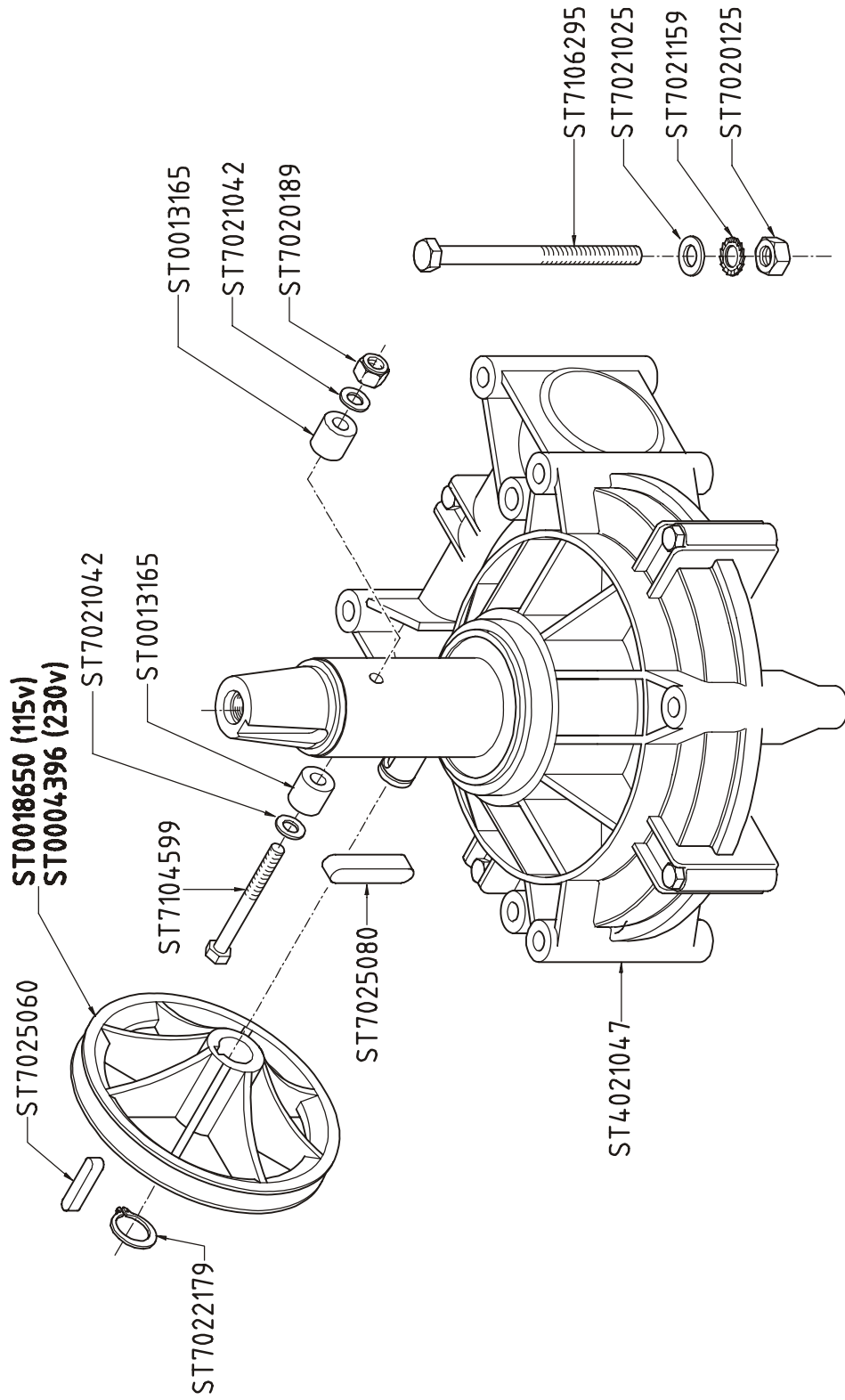
01/2000

120+May-07



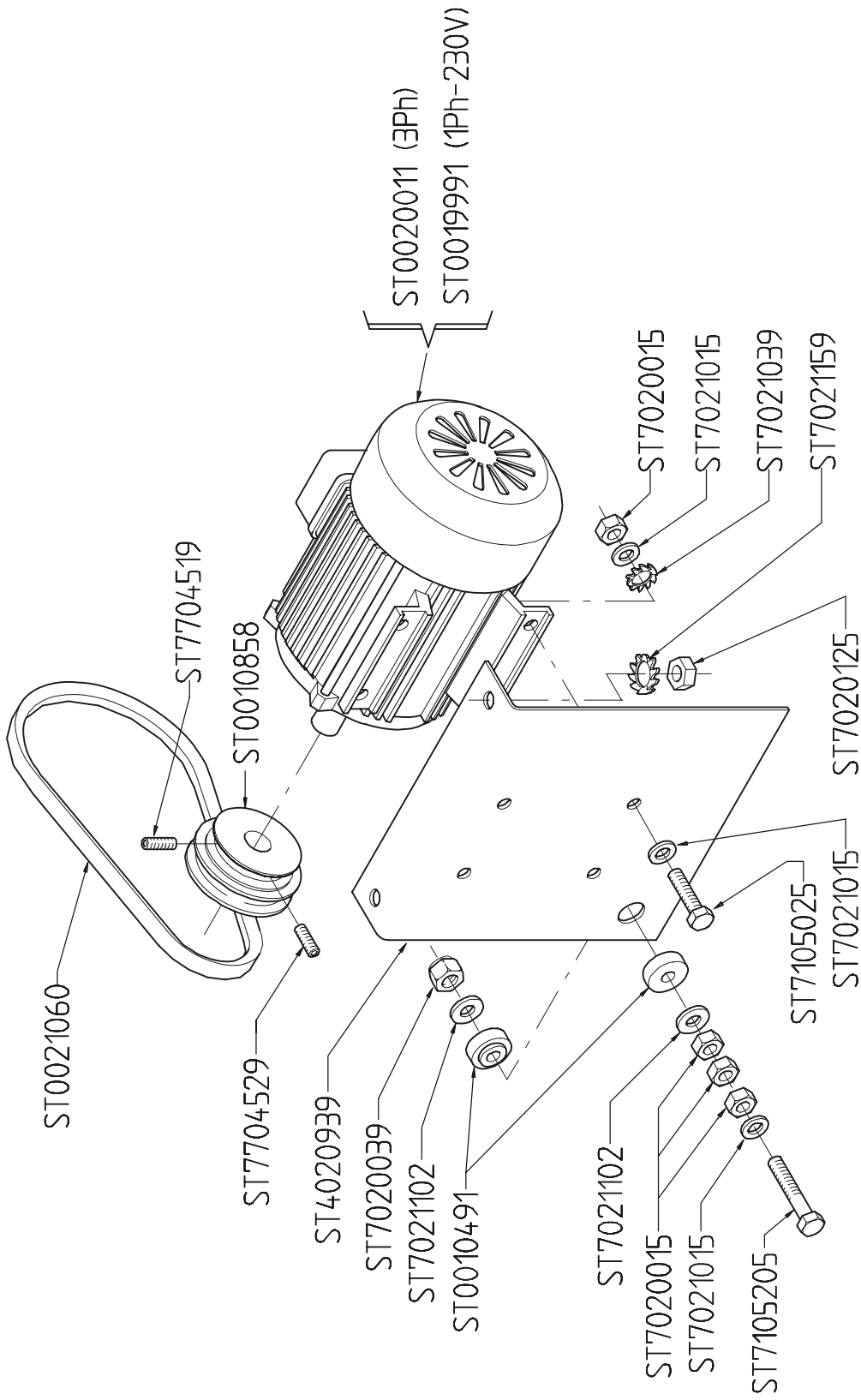
120-May-07

603.a





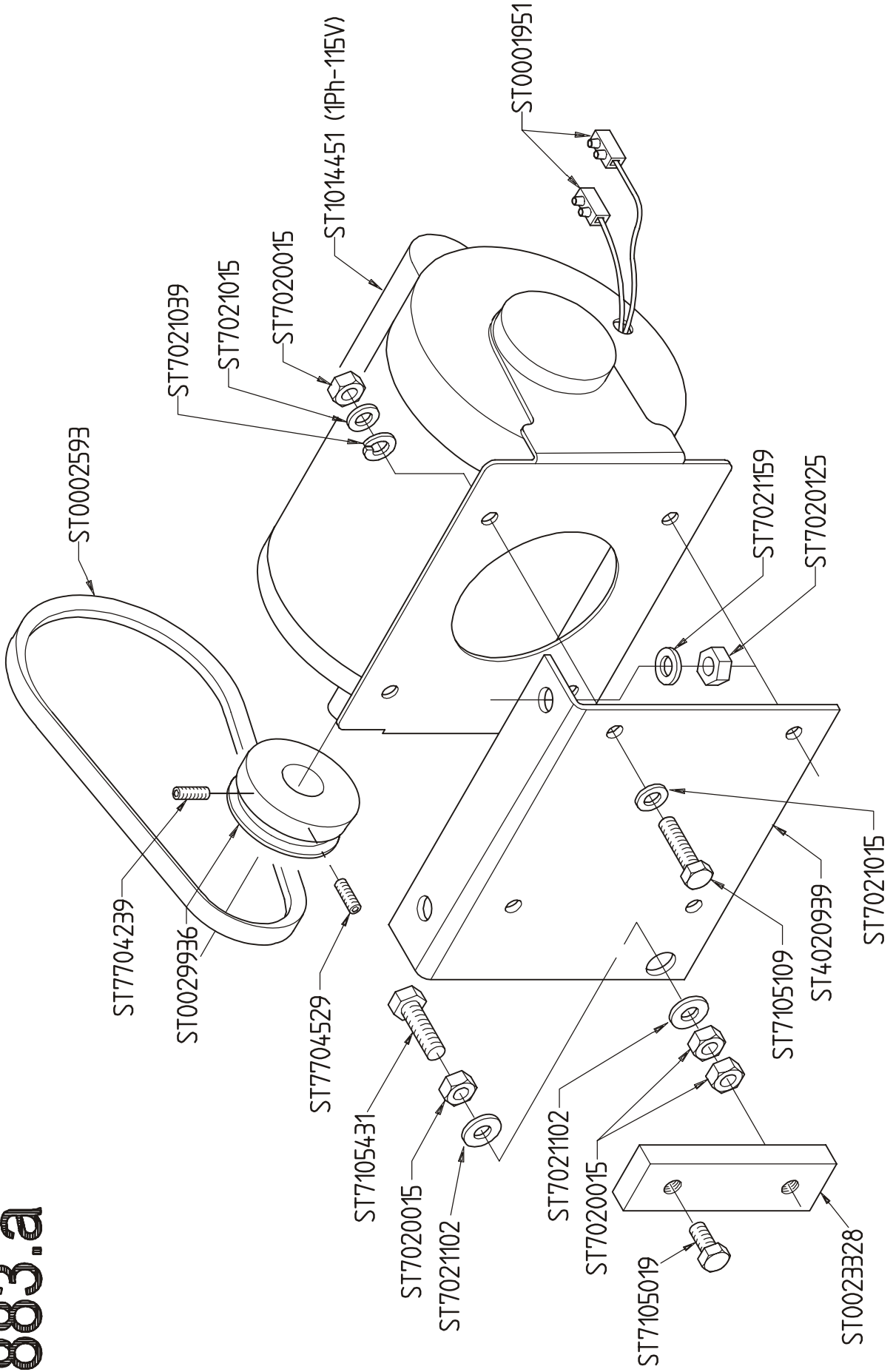
602.b





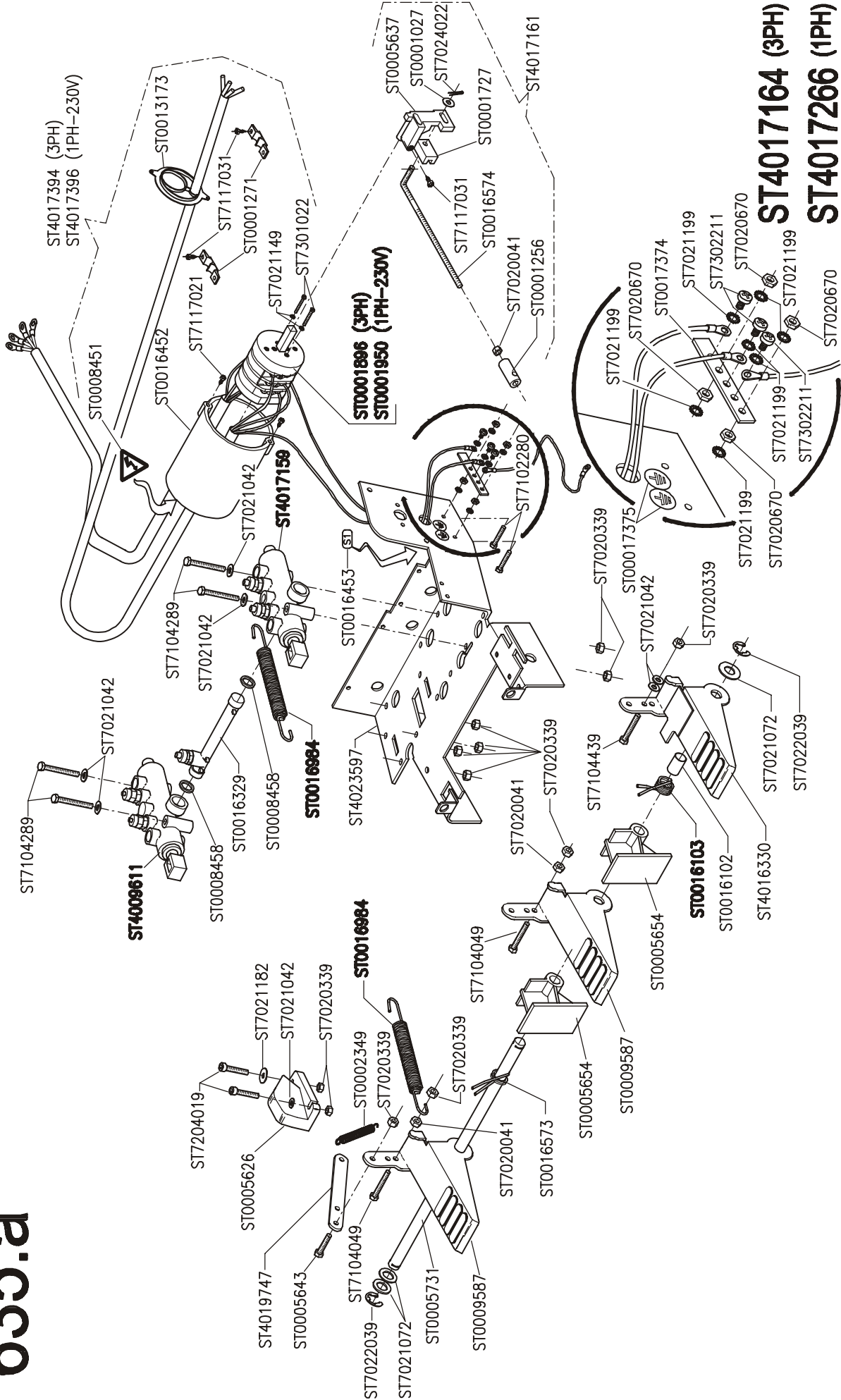
120-I-May-07

883.a





635.a



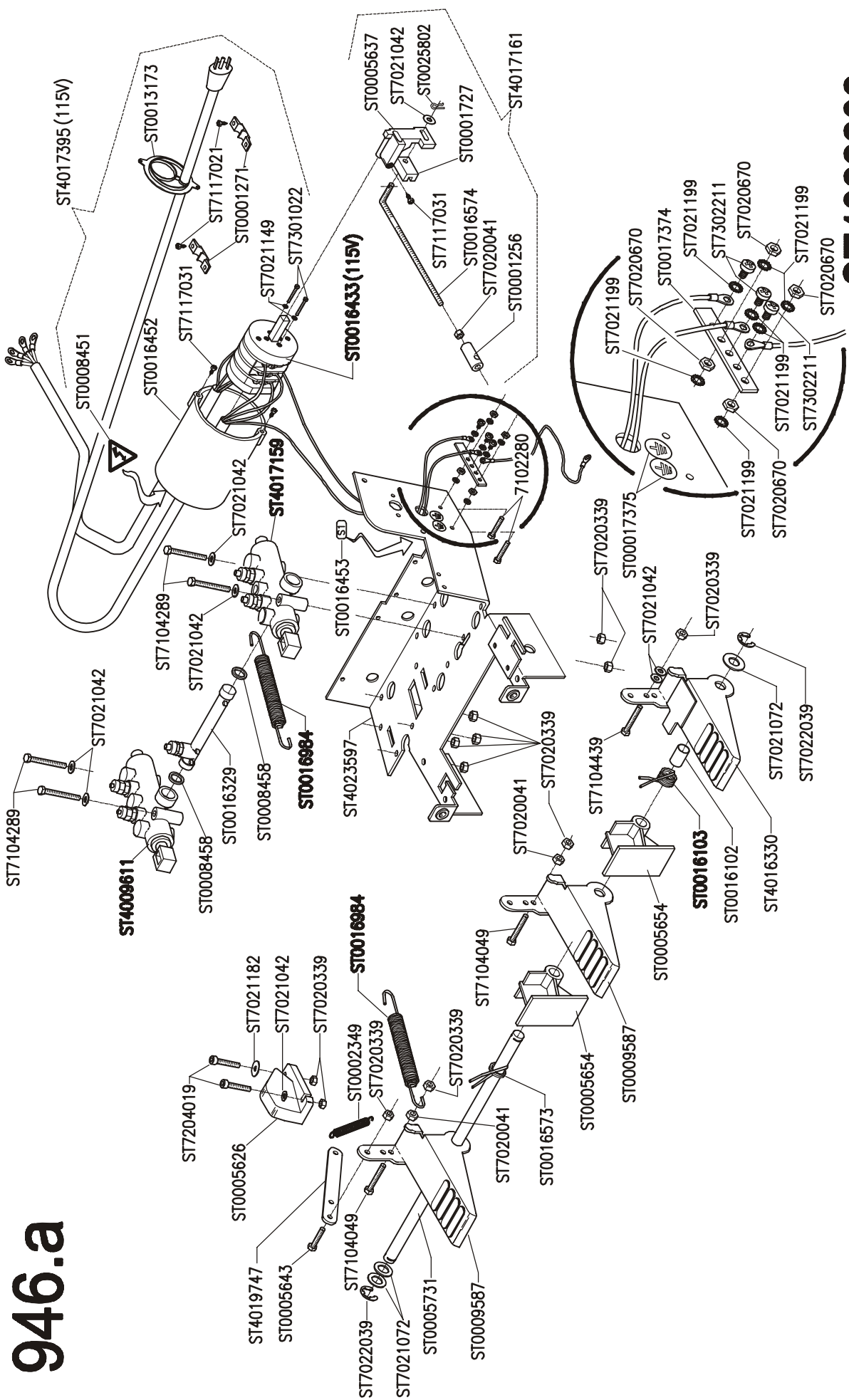
01/2001

ST4017164 (3PH)
ST4017266 (1PH)

120-May-07



946.a



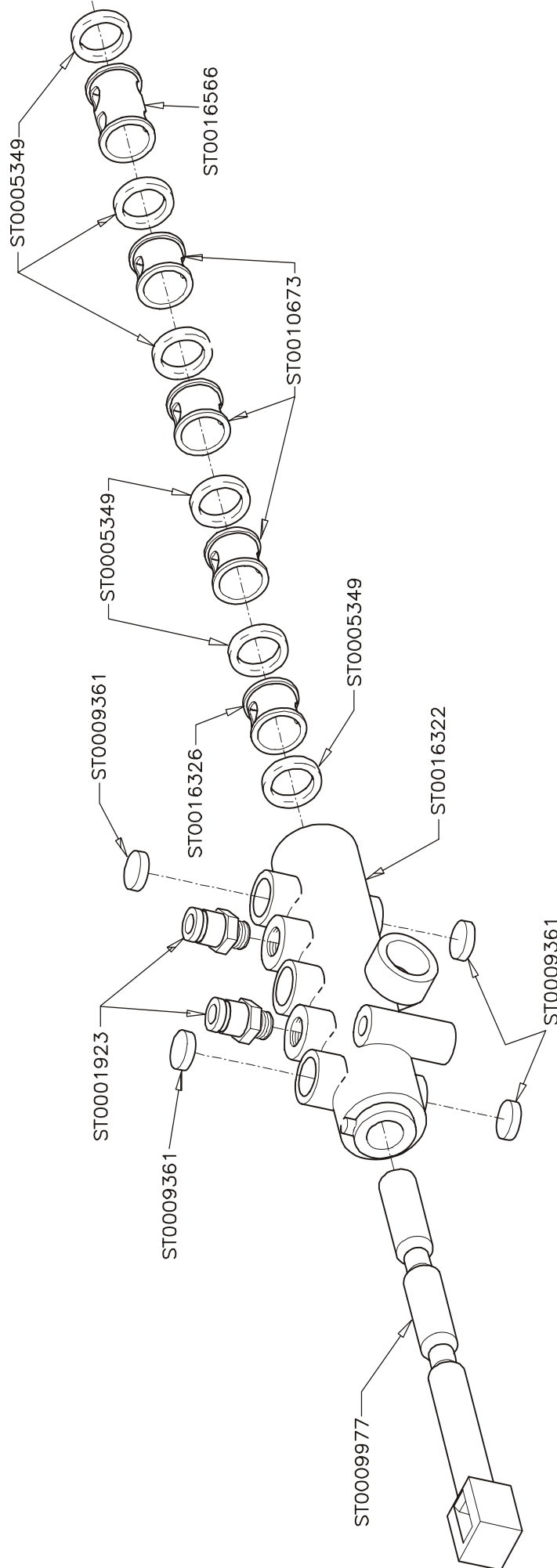
ST4022202 (115v)

09/2003

120-May-07



637



ST4009611

09/97

120-I-May-07

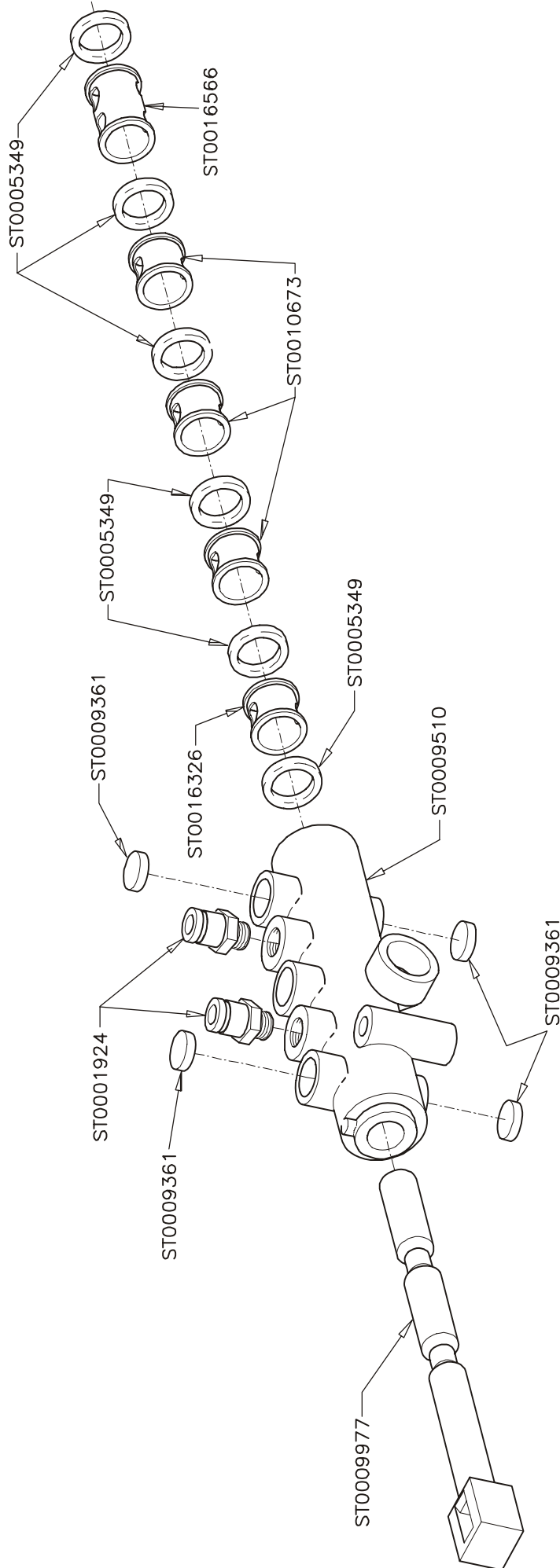


ST4017159

09/97

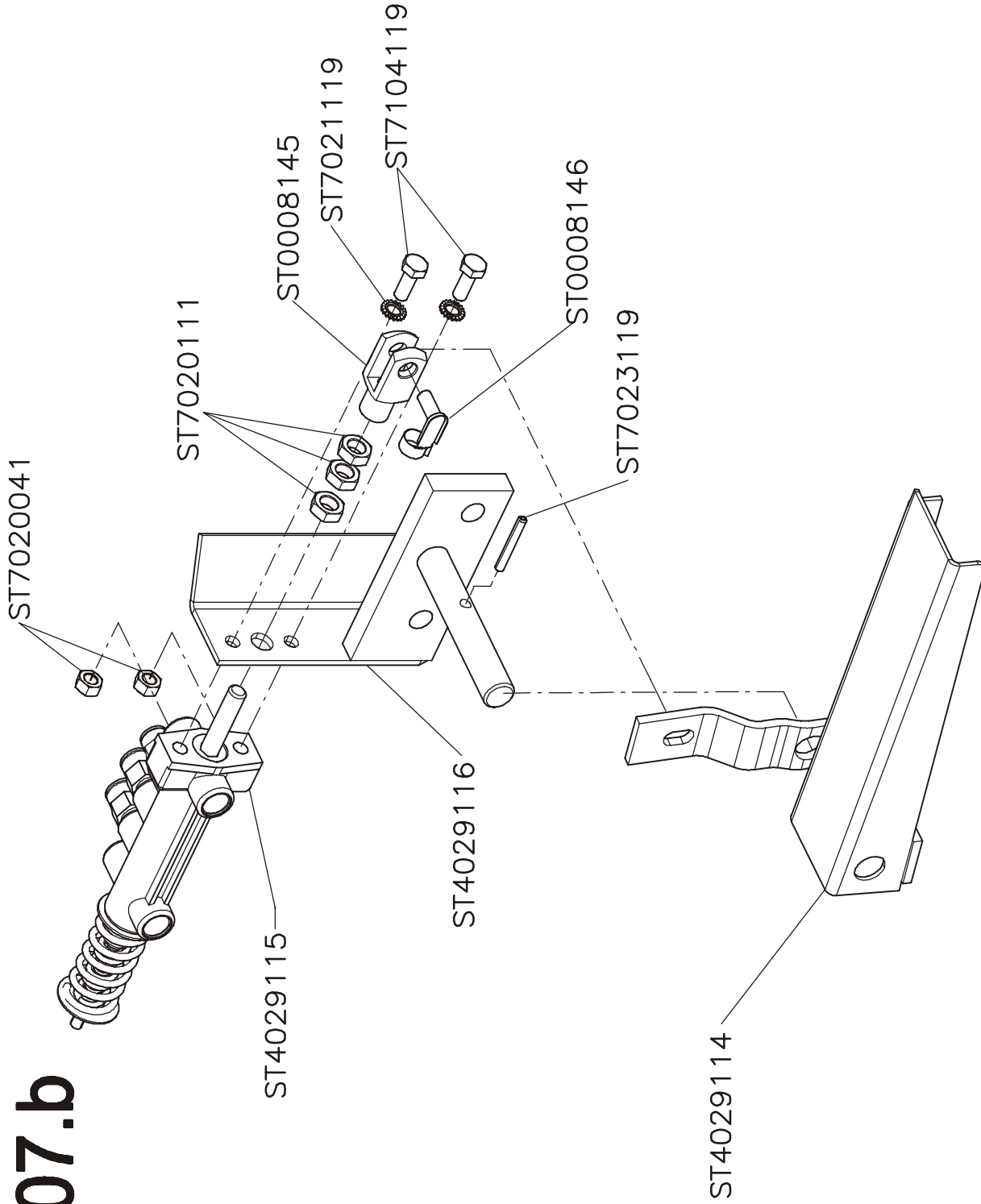
120-I-May-07

639





1507.b



ST4029117

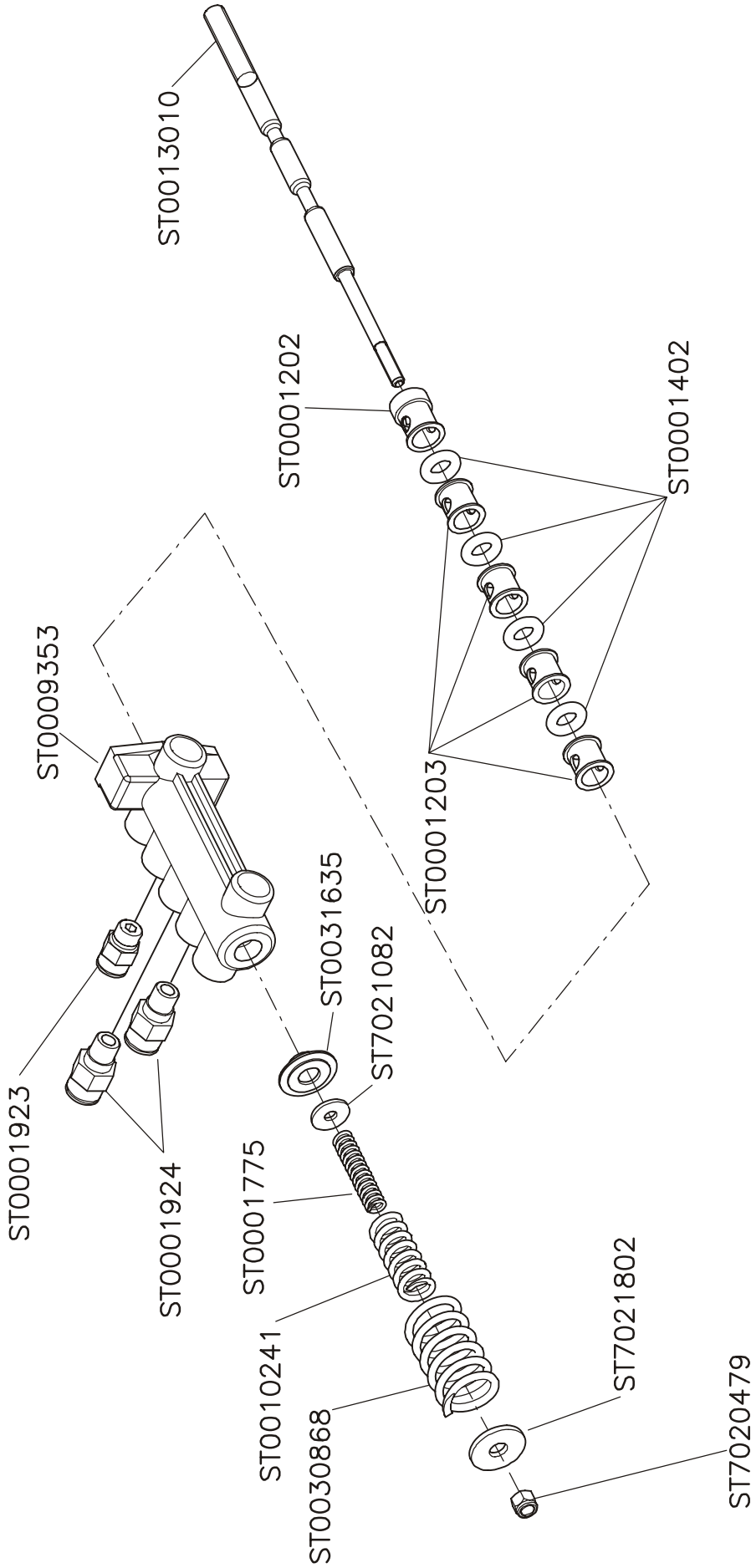
03/2006

120-I-May-07



120-May-07

1509.b

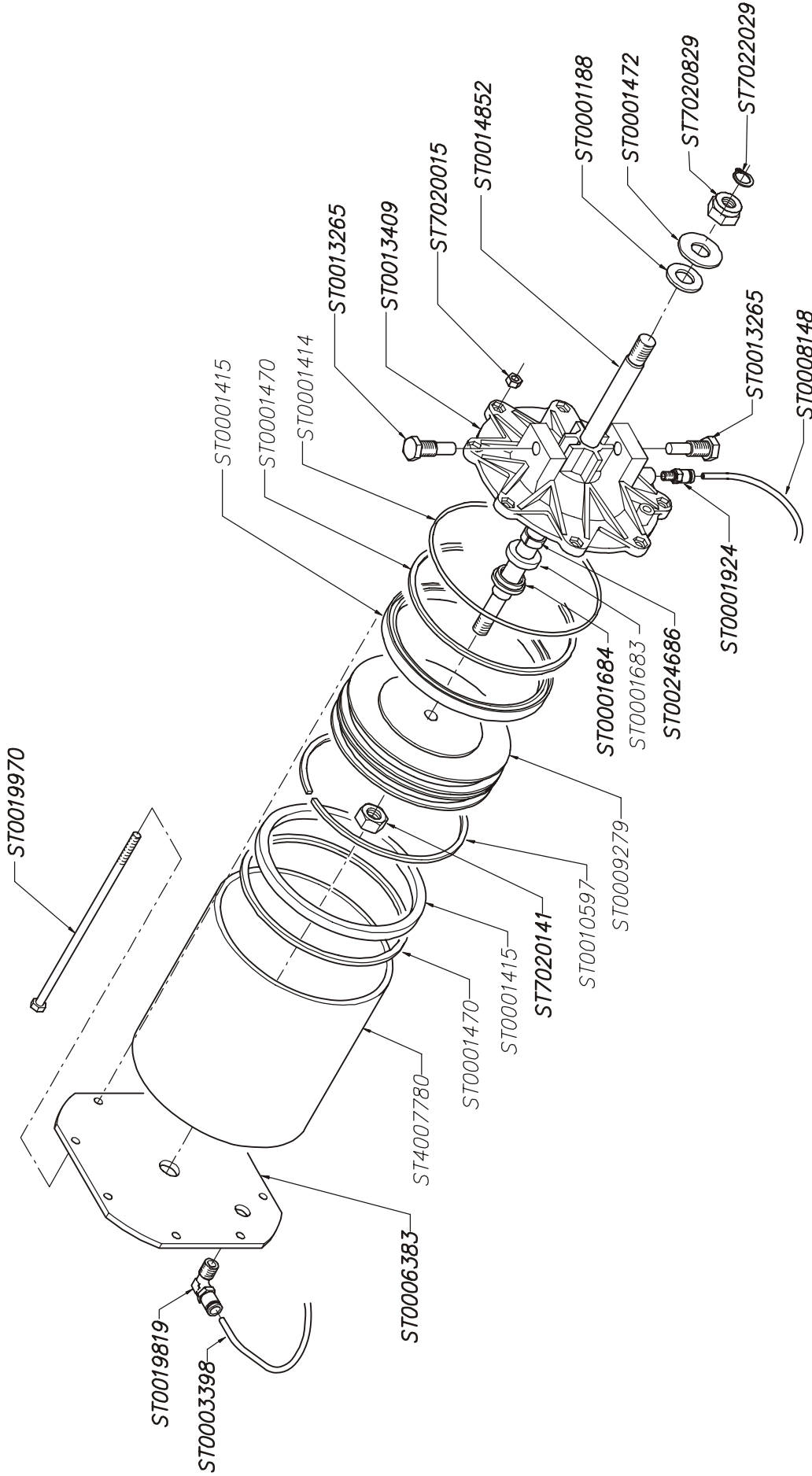


ST4029115

03/2006



591.C

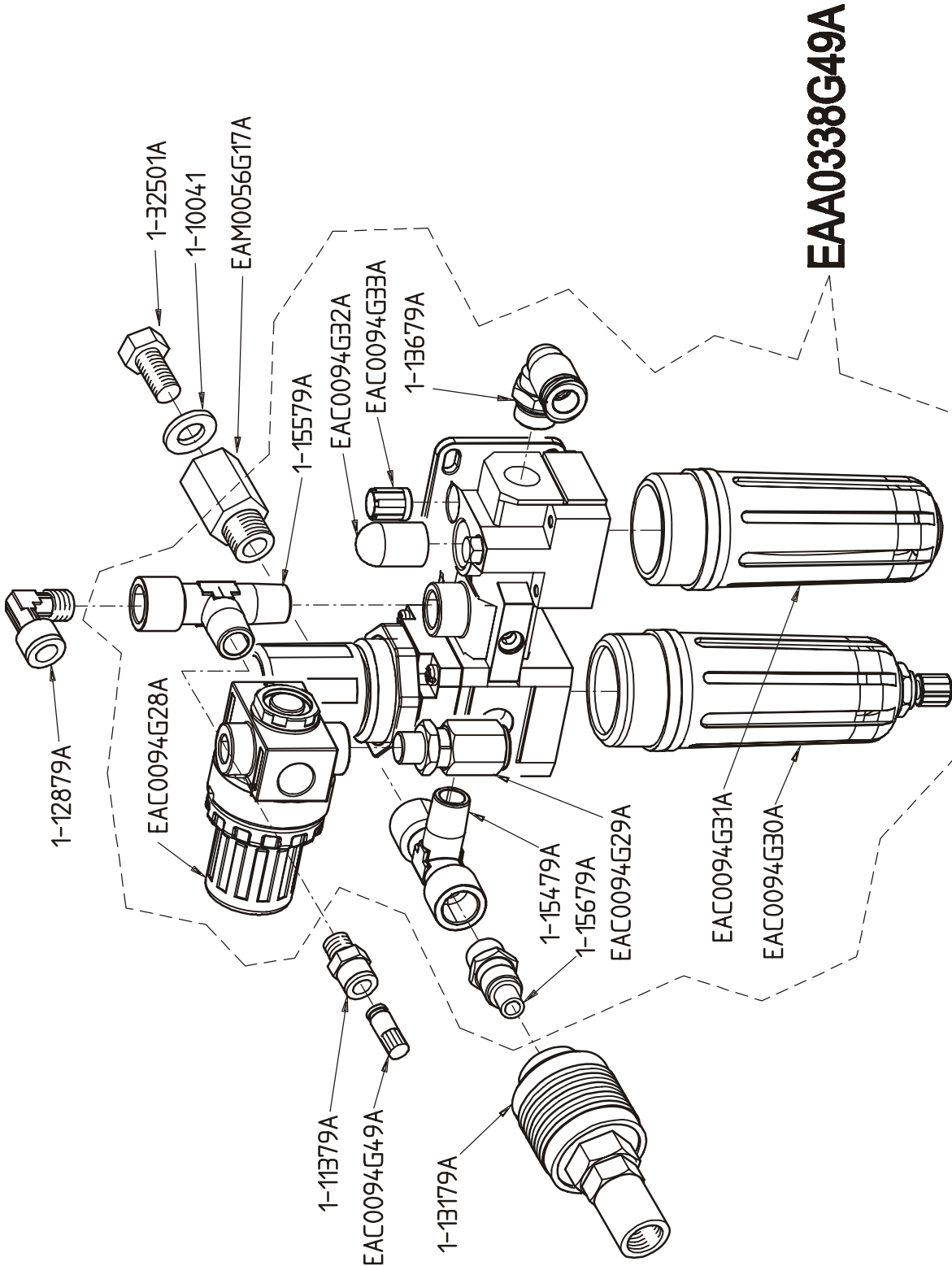


ST4014897

03/2006



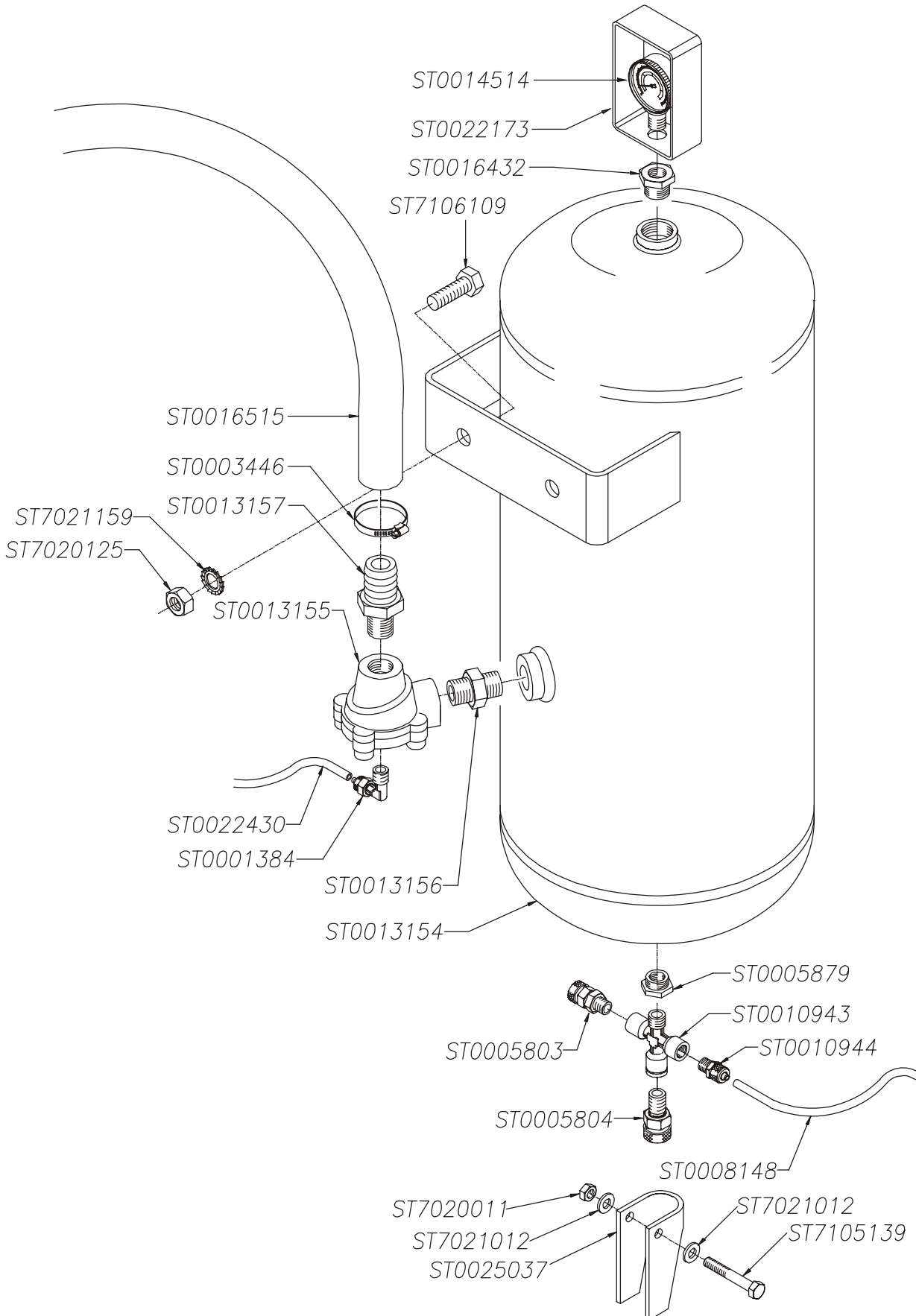
120-I-May-07



1589



633.c



120-I-May-07

04/2005

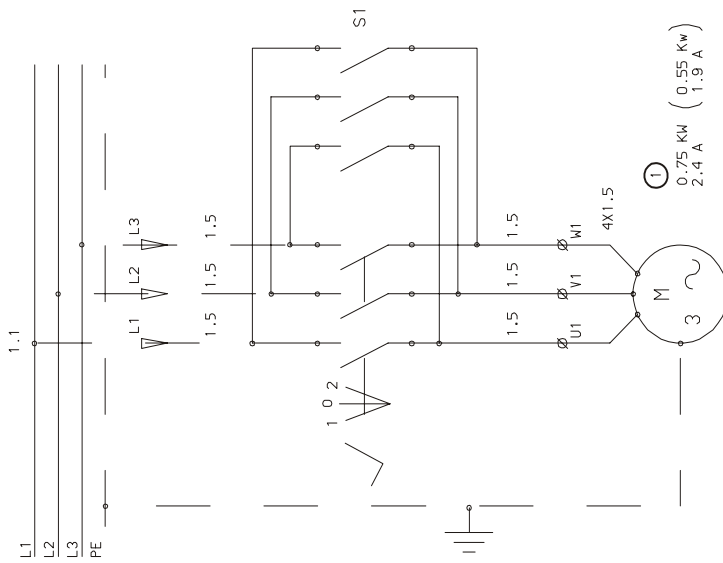


120-May-07

Blank Page



MOTORE RIDUTTORE
REDUKTOR MOTOR
MOTEUR REDUCTEUR
REDUCING MOTOR



0,75 KW (0,55 Kw)
2,4 A (1,9 A)

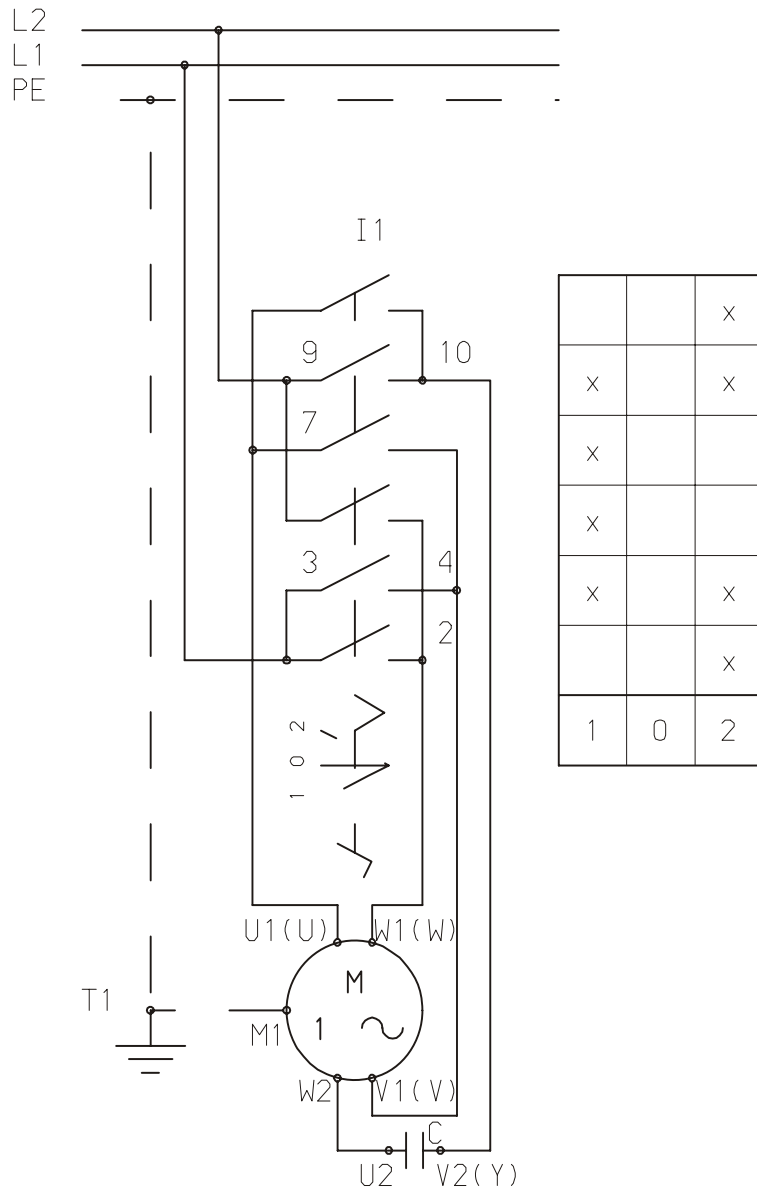
1.1	SI	1							BRETER
1.1	M	1							TECNO MOTORI
POS.	SIGLA TYP REF.	Q.TA' STUCK Q.TE. O.TY	DENOMINAZIONE BENENNING	DESCRIPTION	SIGLA E NORMA TYP- UND NORMENBEZEICHNUNG REF. ET. NORMATIVE REF. AND NORM	PRODUTTORE/FORNITORE HERSTELLER/LIEFERANT PRODUCTEUR/FOURNISS. PRODUCER / SUPPLIER			
1	AGGIORNATO DATI MOTORE		MODIFICA	AENDERUNG	MODIFICATION	CHANGE	DATA DATUM DATE	10-02-97	A.P.
Nr.							DATE		NOME NAME

GRUPPO GRUPE GROUP	PAGINA BLATT PAGE	Nr. PAGINE V. BLATT Nr. DE PAGES Nr. OF PAGES
	1	1
CLIENTE BESTELLER CLIENT CUSTOMER	Nr. ORDINE COMMANDE Nr. P.D. NUMBER	Nr. PAGINE V. BLATT Nr. DE PAGES Nr. OF PAGES
		1
TIPO MODELE MODEL	A22	CODICE MACCHINA INVENTAR Nr. MACHINE REF. CODE MACHINE
FIRMA GEZ. SIGNATURE BARI CAZZI	DATA DATUM DATE	22-03-94
VISTO GEPURFT CONTROLE TESTED	BY	
SCHEMA ELETTRICO SMONTAGGIO SCHEMA ELEKTRISCHEN REIFENMONTIERMASCHINE SCHEMA ELECTRIQUE DEMONTE-PNEUS ELECTRIC SCHEME FOR TIRE CHANGER	CODICE Nr. ZEICHNUNGS Nr. FAVIGLIA 824	
0008281		

120-May-07



120-May-07



C	condensatore	condensateur	capacitor	Kondensator
I1	invertitore	inverseur	reversing switch	Wendeswitcher
M1	motore	moteur	motor	Motor
T1	carcassa	chassis	frame	Gehaeuse

1	AGGIUNTO CONDENSATORE	16-06-92	N.C.
Nr.	MODIFICA AENDERUNG MODIFICATION CHANGE	DATA DATUM DATE	NOME NAME
FAMIGLIA 824	FIRMA GEZ. SIGNATURE N.C.	CLIENTE BESTELLER CLIENT CUSTOMER	GRUPPO GRUPPE GRUPE GROUP PAGINA BLATT PAGE 1
TIPO TYP MODELE MODEL EKO	DATA DATUM DATE 13-07-88	Nr. ORDINE AUFTRAG-Nr. COMMANDE Nr. P.D.NUMBER	Nr. PAGINE V. BLATT Nr. DE PAGES Nr. OF PAGES 1
CODICE MACCHINA INVENTAR Nr. MACHINE REF. CODE MACHINE	VISTO GEPRÜFT CONTROLE PAR TESTED BY	SCHEMA ELETTRICO SMONTAGOMME MONOFASE	CODICE Nr. ZEICHNUNGS Nr. CODE Nr. 0009017

0
GRUPPO FILTRO
FILTER GROUP
GRUPE FILTRE
FILTERGROUP

1
BLOCCAGE, CERCII
BLOCKING, FÄNGEN
BLOQUE, JANTES
LOCKING, IRMS
Z 11

APERTURA
OPEN
OUVERT
OPEN

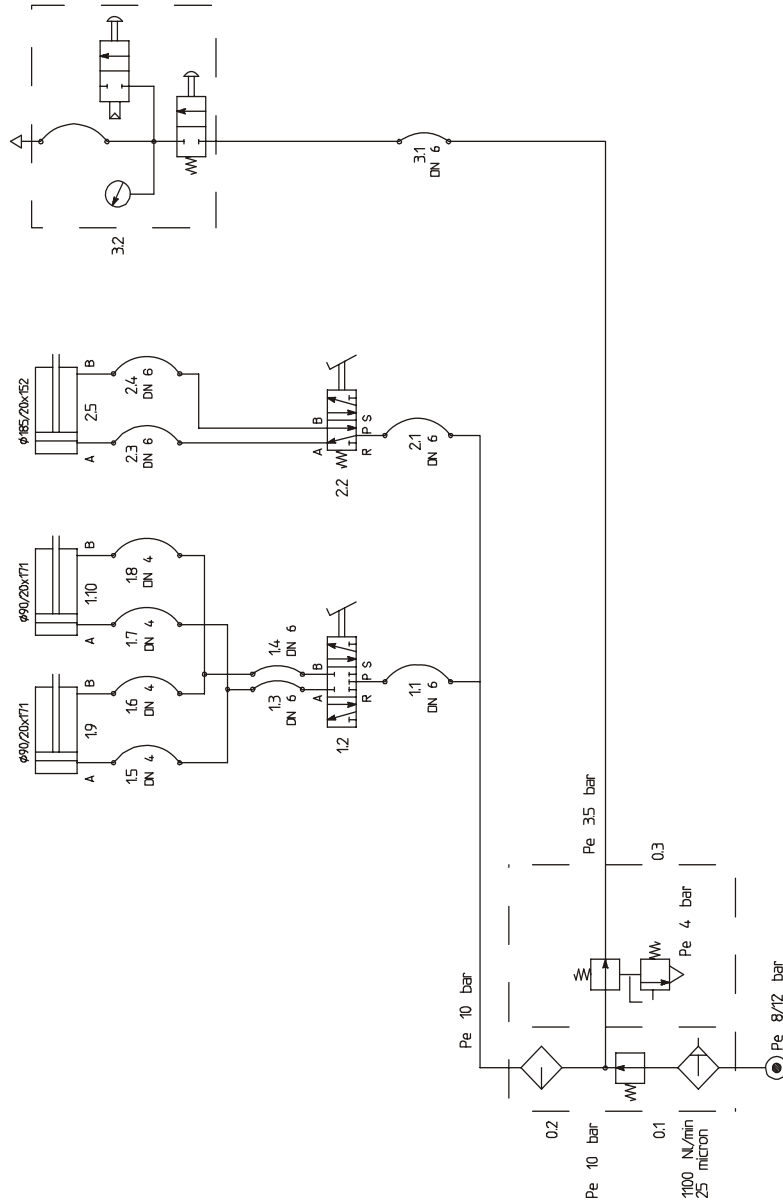
CHIUSURA
CLOSED
FERME
CLOSED

2
STALLONATORE
ABRIEKSKALPPEL
DETAILLOUISER
BEAD BREAKER
Z 2

APERTURA
OPEN
OUVERT
OPEN

CHIUSURA
CLOSED
FERME
CLOSED

3
PINZA GOMMATA
FÜLLSTREIFE
PASTOILE DE GONFLAGE
THE GAUGE
Z 1

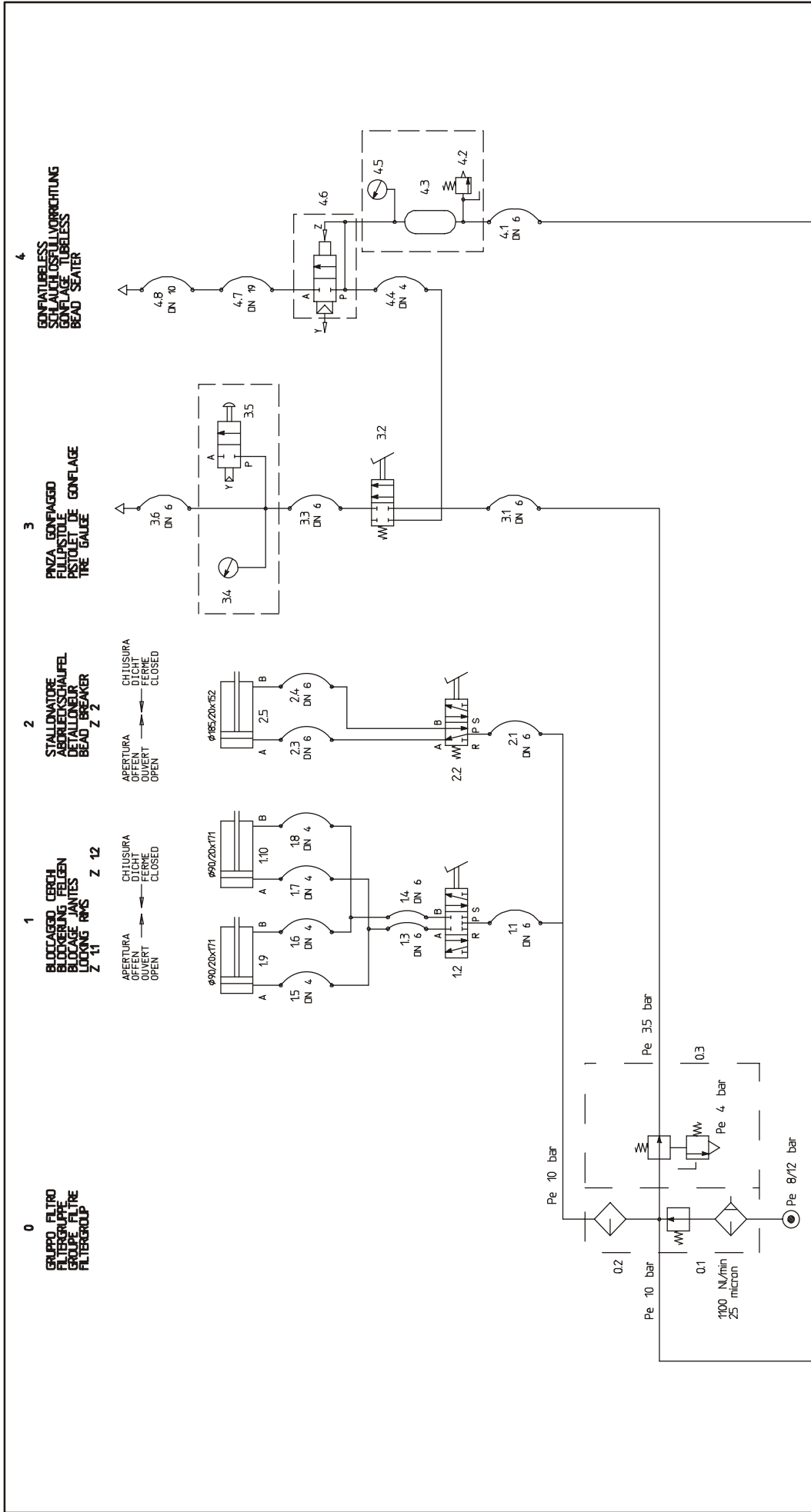


GRUPPO GRUPE	PAGINA BLATT PAGE	1	Nr. PAGINE V. BLATT Nf. DE PAGES	2
	CLIENTE BESTELLER CLIENT CUSTOMER	Nr. ORDINE AUFTRAG-Nr. COMMANDE Nf. P.D. NUMBER		
FABRICA FABRIK FABRIQUE	FIRMA GEZ. SIGNATURE	MIRQTTI C.	DATA DATUM DATE	2005/03/25
	COSTRUITO IN FABRIKAT IN FABRIQUE EN	MADE MADE MADE	TIPO TYP MODELE MODEL	T1000
MODIFICAZIONE ÄNDERUNG MODIFICATION	VERIFICATION KONTROLLE CONTROLÉ	VISTO GEPRÜFT GEPÜFT		
		DATE DATUM DATE	NONE NAME	
MODIFICA ÄNDERUNG MODIFICATION	CHANGE	SCHEMA PNEUMATICO JBEG T1000 SCHEMA PNEUMATISCHEN JBEG T1000 PNEUMATIQUE SCHEMA JBEG T1000 PNEUMATIC SCHEME JBEG T1000		
FAMIGLIA	CODICE Nf. CODE	0031063		
		824		



120-I-May-07

POS.	Q.TA. STÜCK Q.TE. Q.TY	DENUMINAZIONE BENENNING DESCRIPTION	SIGLA E NORMA TYP- UND NORMENBEZEICHNUNG REF. ET NORMATIVE REF. AND NORM	PRODOTTORE/FORNITORE HERSTELLER/LIEFERANT PRODUCTEUR/FOURNISS. PRODUCER /SUPPLIER	DATA DATUM DATE	MODIFICA ÄNDERUNG MODIFICATION CHANGE	DATA DATUM DATE	NOME NOME NAME	CODICE MACCHINA INVENTAR N°. MACHINE REF. CODE MACHINE	VISTO GEPÜFT CONTROLÉ TESTED	PAR BY	LISTA COMPONENTI PNEUMATICI LISTE BESTANDTEILE PNEUMATISCHEN LISTE COMPOSANTS PNEUMATIQUES LIST OF PNEUMATIC COMPONENTS	FAMIGLIA CODE N°.	824	PAGINA N°. BLATT PAGE	N°. DE PAGES	2	2
32	1	PISTOLA GONFIAGGIO FULL PISTOLE PISTOLET DE GONFLAGE TIRE GAUGE																
31	1	TUBO FLESSIBILE SCHLAUCH TUYAU FLEXIBLE FLEXIBLE TUBE	IDEALCARBUR WP. 10 BAR	MANULI														
25	1	CILINDRO A DOPPIO EFFETTO DOPPELWIRKENDER ZYLINDER EFFET A DOUBLE EFFECT CYLINDER AT DOUBLE EFFECT		GS														
22	1	VALVOLA A 5 VIE FÜNFSEITIGE VANNE VANNE A 5 VIES FIVEWAY VALVE		GS														
21	1	TUBO FLESSIBILE SCHLAUCH TUYAU FLEXIBLE FLEXIBLE TUBE		MAZZER MAT. PLASTICHE														
23	1	CILINDRO A DOPPIO EFFETTO DOPPELWIRKENDER ZYLINDER EFFET A DOUBLE EFFECT CYLINDER AT DOUBLE EFFECT		GS														
19	1	VALVOLA A 5 VIE FÜNFSEITIGE VANNE VANNE A 5 VIES FIVEWAY VALVE		GS														
12	1	TUBO FLESSIBILE SCHLAUCH TUYAU FLEXIBLE FLEXIBLE TUBE		GS														
11	1	TUBO FLESSIBILE SCHLAUCH TUYAU FLEXIBLE FLEXIBLE TUBE		MAZZER MAT. PLASTICHE														
10	1	RODOTTORE * VALVOLA DI SICUREZZA REDUKTOR + SICHERHEITSVENTIL REDUCTEUR + SOUPAPE DE SÛRETÉ REDUCER + SAFETY VALVE	MR 039 B	STAMPOTECNICA														
02	1	LUBRIFICATORE SCHMIERVORRICHTUNG LUBRIFIANT	L 1/4 040 PE	STAMPOTECNICA														
01	1	FILTRO * RODOTTORE FILTER + REDUKTOR FILTRE + REDUCTEUR FILTER + REDUCER	FR 1/4 040 20 PE SS	STAMPOTECNICA														
POS.	Q.TA. STÜCK Q.TE. Q.TY	DENUMINAZIONE BENENNING DESCRIPTION	SIGLA E NORMA TYP- UND NORMENBEZEICHNUNG REF. ET NORMATIVE REF. AND NORM	PRODOTTORE/FORNITORE HERSTELLER/LIEFERANT PRODUCTEUR/FOURNISS. PRODUCER /SUPPLIER	DATA DATUM DATE	MODIFICA ÄNDERUNG MODIFICATION CHANGE	DATA DATUM DATE	NOME NOME NAME	CODICE MACCHINA INVENTAR N°. MACHINE REF. CODE MACHINE	VISTO GEPÜFT CONTROLÉ TESTED	PAR BY	LISTA COMPONENTI PNEUMATICI LISTE BESTANDTEILE PNEUMATISCHEN LISTE COMPOSANTS PNEUMATIQUES LIST OF PNEUMATIC COMPONENTS	FAMIGLIA CODE N°.	824	PAGINA N°. BLATT PAGE	N°. DE PAGES	2	2



0
GRUPPO FILTRO
FILTER GROUP
GRUPE FILTRE
FILTERGROUP

1
BLOCCAGGIO CERCHI
LOCKING RIBS
BLOKIRANJE RIBS
Z 11

2
STATIONATORE
BEAD BREAKER
STATIONIERER
BEAD BREAKER
Z 12

3
PNEU. GONFIAGGIO
RISOSTOIE DE GONFLAGE
PNEUMATISCH
BEAD GAUGE
Z 13

4
GONFIARELESS
SOHLAUCHLOSULLORICHTUNG
BEAD SEATER
Z 14

APERTURA
OFFEN
OPEN

CHIUSURA
DICHT
CLOSED

Nr.	MODIFICA AENDERUNG MODIFICATION CHANGE		DATA DATUM DATE	NOME NAME
VISTO GEPRÜFT CONTROLÉ PAR TESTED BY				
SCHEMA PNEUMATICO JBEG T1000 BS SCHEMA PNEUMATISCHEN JBEG T1000 BS PNEUMATIQUE SCHEMA JBEG T1000 BS PNEUMATIL SCHEME JBEG T1000 BS				
N°. ORDINE AUFTRAG-Nr. COMMANDE Nr. P.D. NUMBER				
2005/03/25				
MIRQTTI C.				
FIRMA GEZ. SIGNATURE				
CLIENTE BESTELLER CLIENT CUSTOMER				
GRUPPO GRUPPE GRUPE GROUP				
PAGINA BLATT PAGE				
1				
N°. PAGINE V. BLATT Nr. DE PAGES Nr. OF PAGES				
2				
CODICE Nr. CODE Nr.				
00310664				
FAMIGLIA 824				



120-H-May-07

4.3	1	SERBATOIO TANK RESERVOIR TANK					CMBB.											
4.2	1	VALVOLA DI SICUREZZA SECURITY VALVE SICHERHEITSSCHRAUBE SAFETY VALVE					STIMA											
4.1	1	TUBO FLESSIBILE SCHLAUCH TUYAU FLEXIBLE FLEXIBLE TUBE					MAZZER MAT. PLASTICHE											
3.6	1	TUBO FLESSIBILE SCHLAUCH TUYAU FLEXIBLE FLEXIBLE TUBE			IDEAL WP. 20 BAR ISO R 1507		MANULLI											
3.5	1	VALVOLA A 2 VIE ZWEIWEITIGES VENIL TWOWAY VALVE					GS											
3.4	1	MANOMETRO MANOMETER MANOMETER					WIKA 0 GAV											
3.2	1	VALVOLA A 4 VIE VERETTIGTE VENTIL VANNE A 4 VOIES FOURWAY VALVE					GS											
3.1	3.3	TUBO FLESSIBILE SCHLAUCH TUYAU FLEXIBLE FLEXIBLE TUBE					MAZZER MAT. PLASTICHE											
2.5	1	CILINDRO A DOPPIO EFFETTO DOPPELWIRKENDER ZYLINDER EFFECT AT DOUBLE EFFECT Cylinder					GS											
2.2	1	VALVOLA A 5 VIE FIVEWAY VALVE					GS											
2.1	2.3	TUBO FLESSIBILE SCHLAUCH TUYAU FLEXIBLE FLEXIBLE TUBE					MAZZER MAT. PLASTICHE											
1.9	1.10	CILINDRO A DOPPIO EFFETTO DOPPELWIRKENDER ZYLINDER EFFECT AT DOUBLE EFFECT Cylinder					GS											
1.2	1	VALVOLA A 5 VIE FIVEWAY VALVE					GS											
1.1	1.1	TUBO FLESSIBILE SCHLAUCH TUYAU FLEXIBLE FLEXIBLE TUBE					MAZZER MAT. PLASTICHE											
0.3	1	RODITTORE * VALVOLA DI SICUREZZA REDUCTEUR + SECURITEVENTIL REDUCTEUR + SOUPAPE DE SECURETE REDUCER + SAFETY VALVE			MR 039 B		STAMPOTECNICA											
0.2	1	LUBRIFICATORE SCHMIERVOORRICHTUNG LUBRIFIANT			L 1/4 04.0 PE		STAMPOTECNICA											
0.1	1	FILTRO * RODITTORE FILTER + REDUCTEUR FILTER + REDUCTEUR FILTER + REDUCTEUR			FR 1/4 04.0 20 PE SS		STAMPOTECNICA											
POS.	Q.TA. STUCC Q.TE. Q.TY	DENOMINAZIONE BENENNING DESCRIPTION			SIGLA E NORMA TYP- UND NORMENBEZEICHNUNG REF. ET NORMATIVE REF. AND NORMI		PRODUTTORE/FORNITORE HERSTELLER/LIEFERANT PRODUCTEUR/FOURNISSEUR											
Nr.		MODIFICA ÄNDERUNG MODIFICATION CHANGE																



®

FRANCE

Snap-On Equipment France
Z.A. Du Vert Galant
15, rue de la Guivernone
BP 7175
95310 Saint Ouen L'Aumone
Tel: (33) 1-3448-5878
Fax: (33) 1-3448-5879

UNITED KINGDOM

Snap-On Equipment Ltd.
part of Snap-On Inc.
48 Sutton Park Avenue,
Reading,
Brkshire, RG6 1AZ
Tel. 0118 929 6826
Fax: 0118 966 4369

JBC GERMANY

Snap-on Equipment GmbH
Geschäftsbereich John Bean
Werner-von-Siemens-Str. 2
D-63419 Pfungstadt
Deutschland
Tel: +49 (0) 6157 12 600
Fax: +49 (0) 6157 12 601
Website: www.johnbean.de

LATIN AMERICA-FAR EAST

International Equipment Group
309 Exchange Avenue
Conway, Arkansas 72032
Tel.: (501) 450-1568
Fax: (501) 450-2086

Manufacturing Facility

Snap-on Equipment S.r.L.
Via Provinciale per Carpi 33,
42015 Correggio (R.E.), Italy
Tel. ++39 (0)522 733480
Fax: ++39 (0)522 733479

Notice: The information contained in this document is subject to change without notice. **John Bean** makes no warranty with regard to this material. **John Bean** shall not be liable for errors contained herein or for incidental consequential damages in connection with furnishings, performance, or use of this material.

This document contains proprietary information which is protected by copyright and patents. All rights are reserved. No part of this document may be photocopied, reproduced, or translated without prior written consent of **John Bean**.



is a registered trademark of John Bean and Snap-on Incorporated.