



World Leader in Lift Productivity



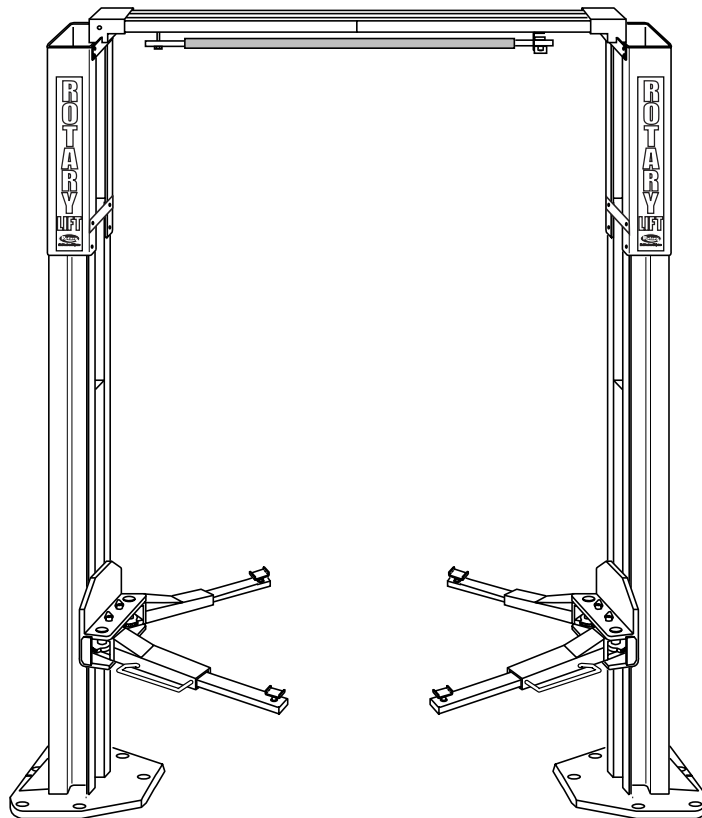
Genuine PARTS™

SPO54 E, M, And *i* Series Two Post Surface Mounted Lifts

Capacity: 5,400kg (1,350kg per arm)



PARTS BREAKDOWN



IMPORTANT: When ordering parts or requesting service always give exact model and power unit serial number. Model number is shown on nameplate attached to power unit column. Power unit serial number is located on side of power unit.

OWNERS RECORD
Complete information at right and keep in a safe place.

Date Installed _____

Installed in Bay # _____

Power Unit Serial # _____

Power Unit Model # _____

Lift Serial # _____

Lift Model # _____

NOTE: For replacement parts -See your nearest Rotary Parts Distributor.

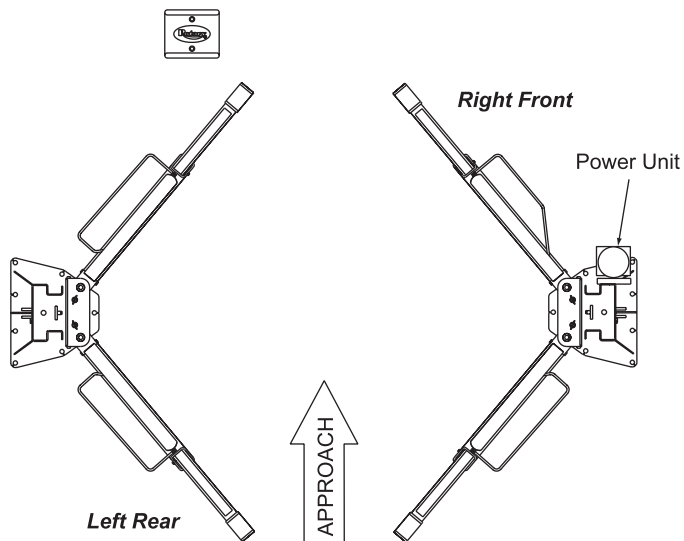
PB 2-32-13

Rev. A 06/10/2003

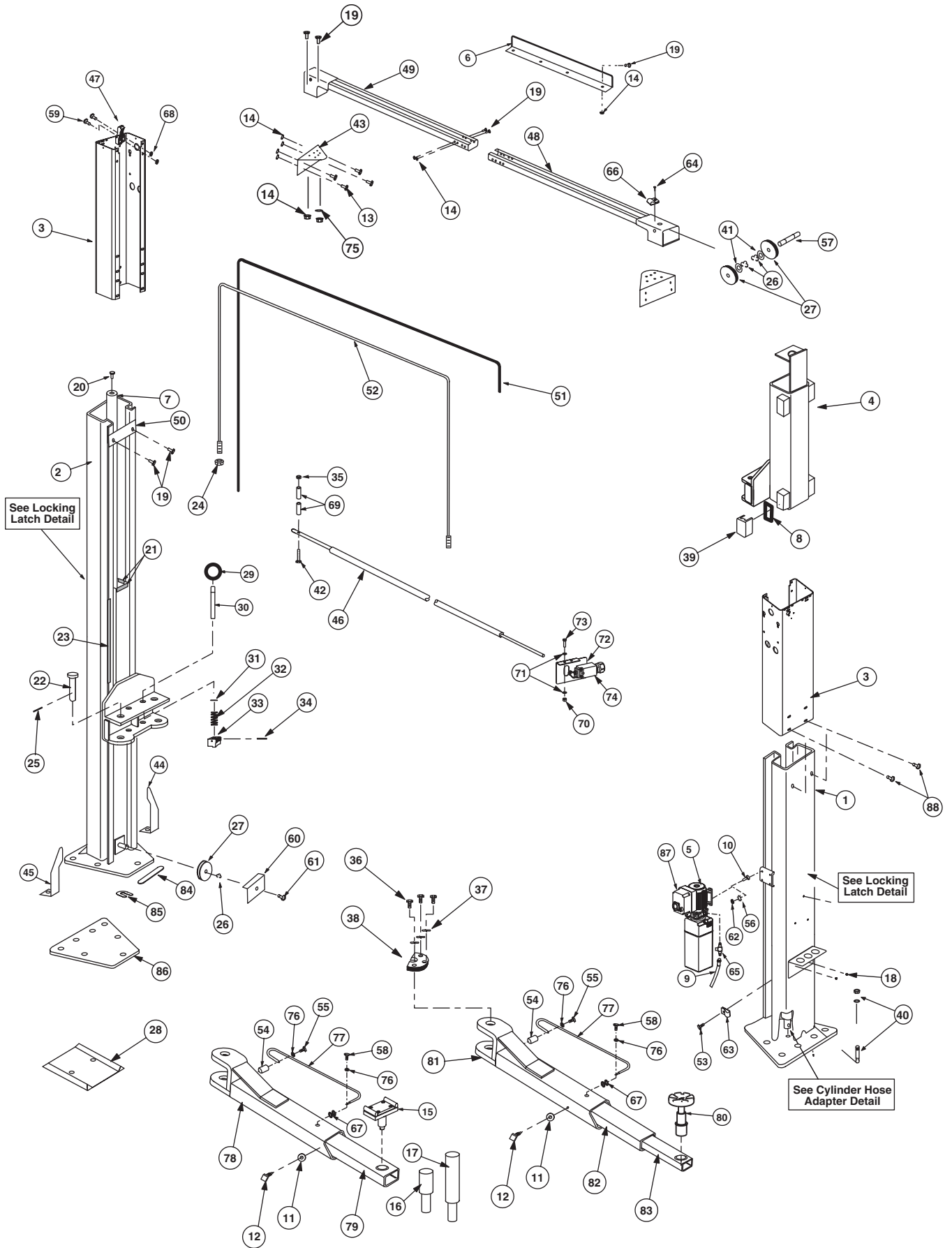
M Series Parts List

1.	L.H. Column	N724
2.	R.H. Column	N726
3.	Column Extension	
	Standard Height	N419
	EH-1 Model	N420
	EH-2 Model	N421
4.	Carriage Yoke	N810
5.	Power Unit (with control panel)	
	3Ø	P1071-9
	1Ø	P1073-9
6.	Stiffener Angle	N417-3
7.	Hydraulic Cylinder	N342
8.	Slider Block Shim	N115
9.	Power Unit Hose	N348
10.	5/16"-18NC x 1-1/2" HHCS	40271
11.	3/8" Internal Tooth Lockwasher	40843
12.	3/8"-16NC x 5/8" HHCS Grade 8	40155
13.	3/8"-16NC x 1" Flanged HHCS	40144
14.	3/8"-16NC Flanged Locknut	40664
15.	Adapter	FJ6158
16.	4" Adapter Extension	FJ6143
17.	8" Adapter Extension	FJ6144
18.	Adapter Rack	FJ6145
19.	3/8"-16NC x 3/4" Flanged HHCS	40124
20.	Bleeder Screw Kit	FJ592
21.	100mm Carriage Bumper	FJ7391-2
	32mm Carriage Bumper	FJ7391-5
22.	Arm Pin	FJ7838
23.	Approach Bumper (Door-18" Lg-2 Req'd)	FJ7391-1
24.	5/8"-11NC Nylon Insert Locknut	40743
25.	3/16"x2" Cotter Pin	41250
26.	Truarc #5304-75 Klipping for 3/4" Shaft	41411
27.	Sheave	N417-1
28.	Wheel Spotting Dish Kit	FF729-1
29.	Actuator Pin Handle	FJ7985-1
30.	Actuator Pin	N121-1
31.	Retaining Klipping	N119-3
32.	Arm Restraint Spring	FJ7656-2
33.	120T Gear Block	N2121
34.	Spring Pin, 1/4" dia. x 1-1/2" Lg. (stainless)	14427
35.	1/4"-20NC Nyload Insert Locknut	40642
36.	3/8"-16NC x 1-1/2" HHCS Grade 8	-----
37.	3/8" Spring Washers	40818
38.	Restraint Gear	FJ7750
39.	Slider Block	FJ7360
40.	20mm Concrete Anchor	W140210
41.	Machinery Bushing	41388
42.	1/4"-20NC x 2-3/4" HHCS	40114
43.	Overhead Mounting Bracket	N440
44.	Left Toe Guard	N137-1
45.	Right Toe Guard	N138-1
46.	Switch Bar Assembly	N415
47.	Latch Cable Guide	N69
48.	R.H. Overhead Weldment (Inner)	N447
49.	L.H. Overhead Weldment (Outer)	N446
50.	Tie Bar	N165-2
51.	Overhead Hose	
	Standard Height Model	N315
	EH-1 Model	N316
	EH-2 Model	N317
52.	Equalizer Cable	
	Standard Height Model	N39
	EH-1 Model	N312
	EH-2 Model	N313
53.	5/16"-18NC x 3/8" PHMS	40227
54.	Arm Guard Spacer	N283-7
55.	5/16"-18NC x 2-1/2" HHCS	40246
56.	5/16" External Tooth Lockwasher	40854
57.	Sheave Shaft	FJ7444-8
58.	5/16"-18NC x 3/4" HHCS	40252
59.	1/4"-20NC x 1" HHCS Grade 5	40108
60.	Sheave Cover	N119-1

61.	1/4"-20NC x 3/8" PHMS	40063
62.	5/16"-18NC Nut	40670
63.	Hose Clip (6 Req'd)-Columns	FJ7499
64.	#12 Type B x 1/2" Sl. HWHTS	40057
65.	Branch Tee	FJ7668
66.	Hose Clip, Column, (4 Req'd)-Overhead	FJ7206
67.	5/16" SAE Flat Washer	40856
68.	1/4"-20NC Flanged Locknut	40641
69.	3/4" Spacer	FJ7871
70.	1/4"-20NC Hex Nut	40627
71.	1/4" External Tooth Lockwasher	40779
72.	Limit Switch Assembly	N412
73.	1/4"-20NC x 3/4" HHCS Grade 5	40098
74.	Limit Switch	N411-1
75.	3/8" External Tooth Lockwasher	40845
76.	5/16" Split Lockwasher	40850
77.	Arm Guard	
	Right Front	N283-6
	Left Front and Rear	N253-3
78.	Outer Arm	N2131-1
79.	Inner Arm	N283-2
80.	Sprinter Adapter Assembly	FJ6166
81.	Sprinter Outer Arm	N27-1
82.	Sprinter Middle Arm	N27-5
83.	Sprinter Inner Arm	N27-8
84.	Front Shim	FJ659-3
85.	Horse Shoe Shim	FJ716-6
86.	Full Size Baseplate Shim Kit	FA5129
87.	Control Panel	FA7135
88.	3/8"-16NC x 1/2" Flanged HHCS	40196

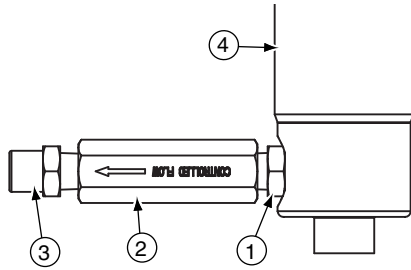


M Series Parts List

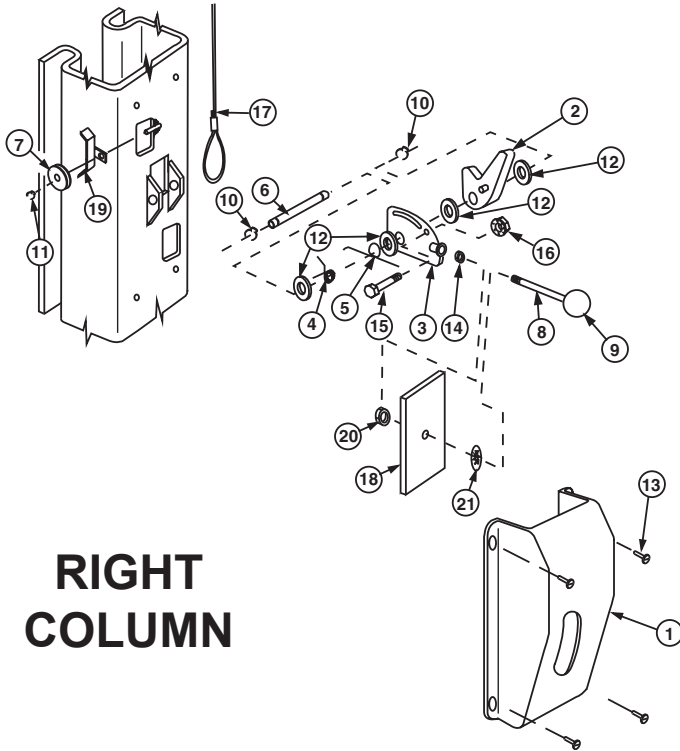


M Series Parts List

CYLINDER ADAPTER / HOSE DETAIL

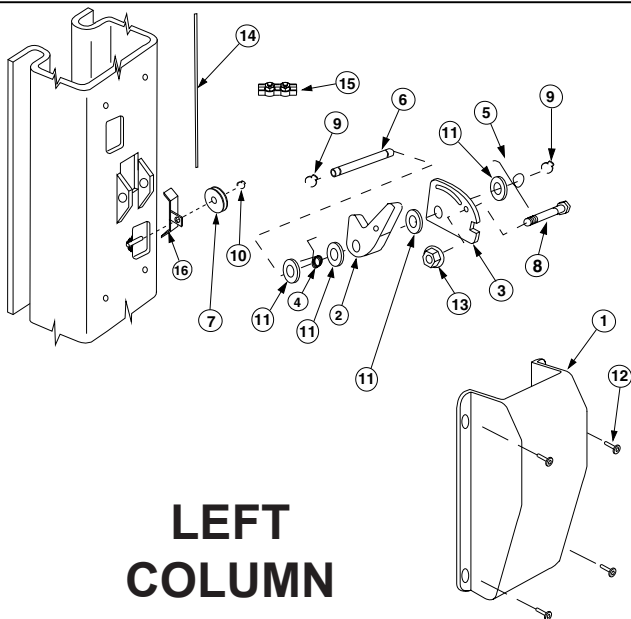


CYLINDER ADAPTER/HOSE DETAIL PARTS LIST		
ITEM NO.	DESCRIPTION	PART NO.
1	Lenz 6-4APN Adapter	16095
2	Flow Control	N344-1
3	Lenz 3105-6-4 Adapter	16094
4	Hydraulic Cylinder	N343



RIGHT COLUMN

LOCKING LATCH DETAIL PARTS LIST		
ITEM NO.	DESCRIPTION	PART NO.
1	Control Side Cover	FJ7452
2	Locking Latch Dog	FJ7382-7
3	Control Plate	FJ7594-2
4	Spring	FJ7566-10
5	Spring	FJ7382-9
6	Latch Shaft	FJ7382-34
7	Locking Latch Sheave	FJ7322
8	Handle	FJ7382-18
9	Ball Handle	FC134-91
10	Truarc Klipring #5304-75 for 3/4" Shaft	41411
11	Truarc Klipring #5304-37 for 3/8" Shaft	41410
12	1 1/2" O.D. x 3/4" I.D. x .045" Mach. Bush.	41388
13	5/16"-18NC x 3/8" Lg. Button Head Cap Screw (Allen socket)	N/A
14	3/8" - 16NC Hex Jam Nut	40658
15	Shoulder Bolt, 5/16" x 1" - 1/4" 20 NC	40220
16	1/4"-20NC Locknut	41423
17	Latch Cable	FJ7600
18	Slot Cover	N617
19	Latch Sheave Cover	N64
20	1/2"-13NC Jam Nut	40700
21	Push nut	N62-2

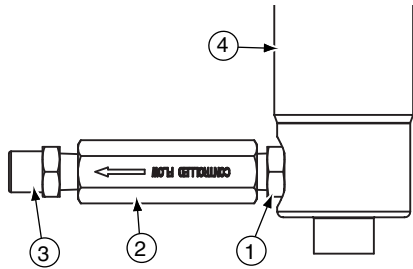


LEFT COLUMN

LOCKING LATCH DETAIL PARTS LIST		
ITEM NO.	DESCRIPTION	PART NO.
1	Latch Cover	FJ7451
2	Locking Latch Dog	FJ7382-7
3	Control Plate	FJ7382-5
4	Spring	FJ7566-10
5	Spring	FJ7382-9
6	Latch Shaft	FJ7382-34
7	Locking Latch Sheave	FJ7322
8	Shoulder Bolt 5/16" x 1" -1/4"-20NC	40220
9	Truarc Klipring #5304-75 for 3/4" Shaft	41411
10	Truarc Klipring #5304-37 for 3/8" Shaft	41410
11	1 1/2" O.D. x 3/4" I.D. x .045" Mach. Bush.	41388
12	5/16"-18NC x 3/8" Lg. Button Head Cap Screw (Allen socket)	N/A
13	1/4"-20NC Locknut	41423
14	Latch Cable	FJ7600
15	Cable Clamp	N63-1
16	Sheave Cover	N64

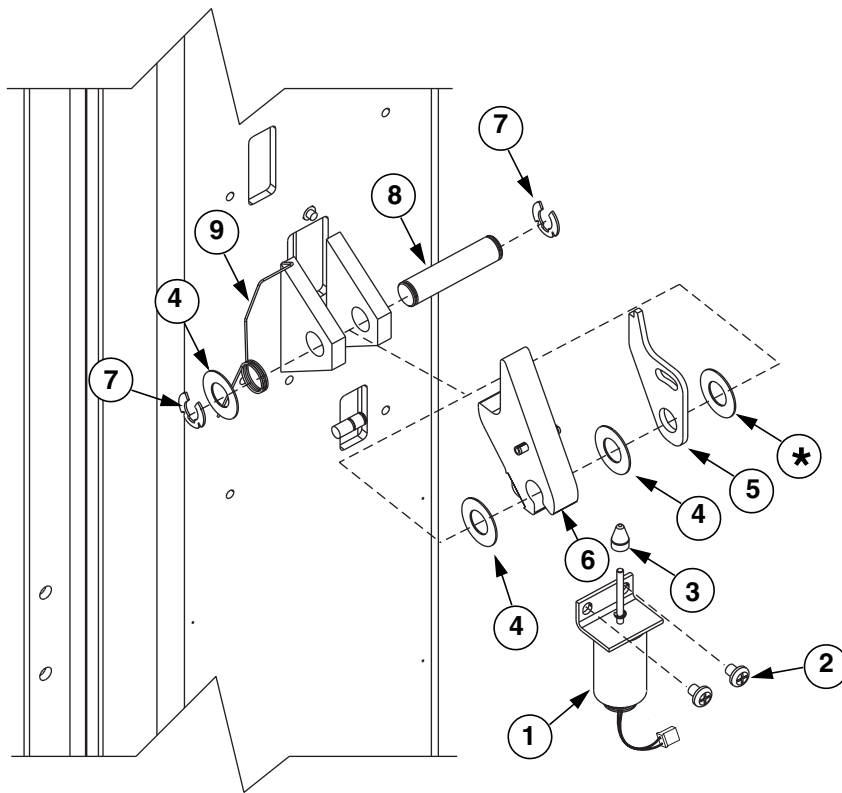
E and / Series Parts List

CYLINDER ADAPTER / HOSE DETAIL



CYLINDER ADAPTER/HOSE DETAIL PARTS LIST		
ITEM NO.	DESCRIPTION	PART NO.
1	Lenz 6-4APN Adapter	16095
2	Flow Control	N344-1
3	Lenz 3105-6-4 Adapter	16094
4	Hydraulic Cylinder	N343

SOLENOID / LOCKING LATCH ASSEMBLY

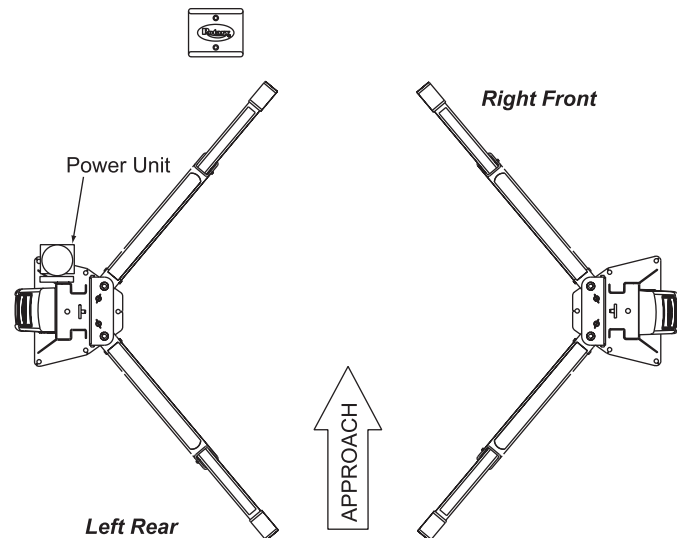


LOCKING LATCH DETAIL PARTS LIST		
ITEM	DESCRIPTION	PART
1	Solenoid	N613
2	5/16"-18NC x 3/8" PHMS	40227
3	Slider	N613-1
4	1-1/2" O.D. x 3/4" I.D. x .045 Mach. Bush.	41388
5	Latch Control Plate	N613-3
6	Locking Latch	N615
7	Truarc Klipring #5304-75 for 3/4" Shaft	41411
8	Latch Shaft	FJ7382-34
9	Latch Spring	N613-2

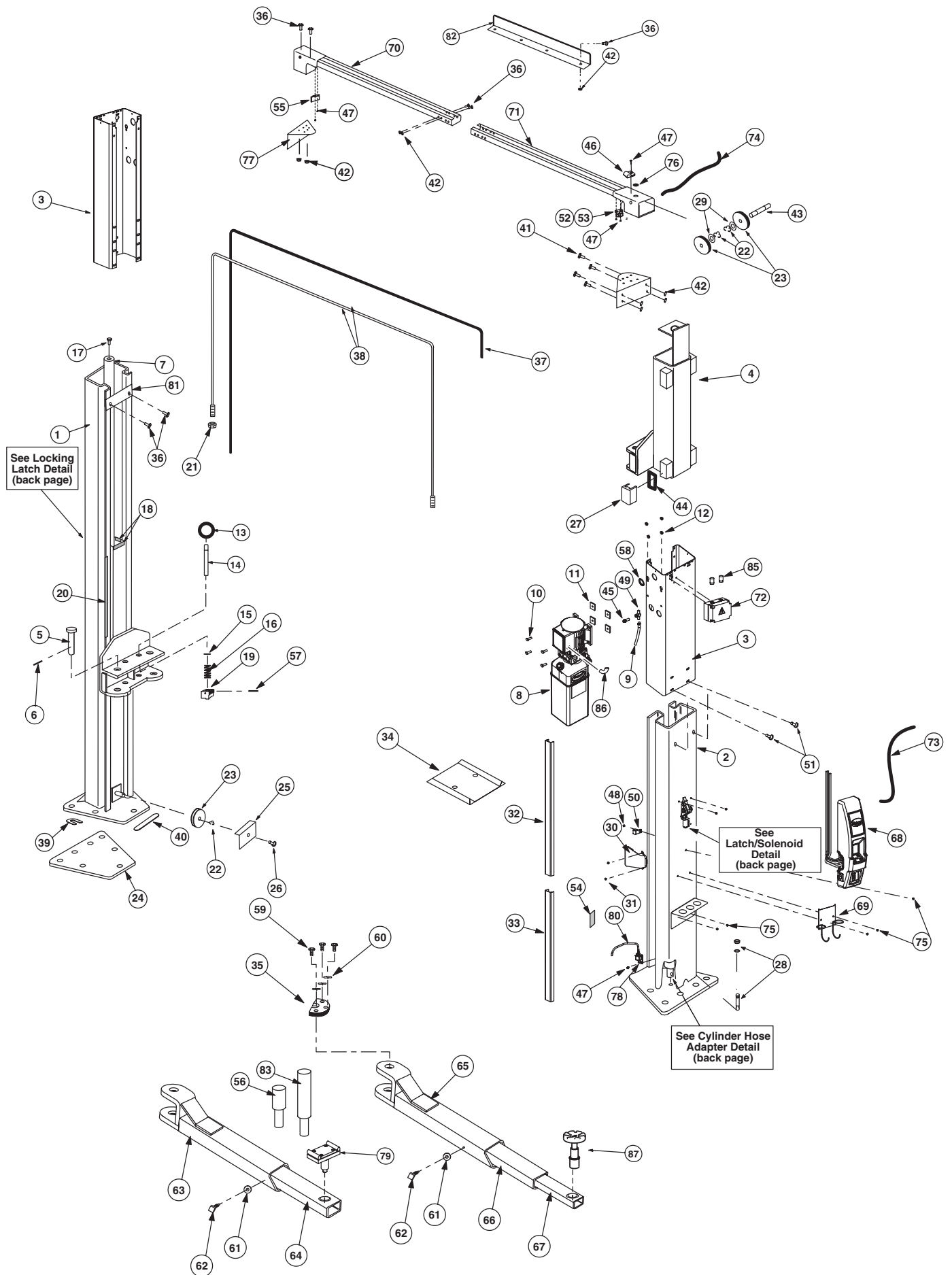
E and I Series Parts List


1	L.H. Column Weldment	N749
2	R.H. Column Weldment	N749
3	Column Extension	
	Power Unit Side	
	Standard Height	N456
	EH-1	N457
	EH-2	N458
	Non-Power Unit Side	
	Standard Height	N419
	EH-1	N420
	EH-2	N421
4	Carriage Yoke Weldment	N821
5	Arm Pin	FJ7838
6	3/16" x 2" Long Cotter Pin	41250
7	Hydraulic Cylinder	N343
8	Power Unit	
	3 PHASE	P1373
9	Power Unit Hose	N336
10	5/16"-18NC x 1-1/2" Bolt (Full Thread)	40271
11	Vibration Pad	P1164-3
12	5/16"-18NC Hex Nut	40670
13	Actuator Pin Handle	FJ7985-1
14	Actuator Pin	N121-1
15	Retaining Klipping	N119-3
16	Arm Restraint Spring	FJ7656-2
17	Bleeder Screw (Specify Manufacturer)	N/A
18	100mm Carriage Bumper (4 per lift)	FJ7391-2
	32mm Carriage Bumper (2 per lift)	FJ7391-5
19	120T Gear Block	N2121
20	457mm Approach bumper	FA927-2
21	5/8"-11NC Nylon Insert Lock Nut	40743
22	Truarc #5304-75 Klipping for 3/4" Shaft	41411
23	Sheave Assembly	N417-1
24	Shim Kit	FA5129
25	Sheave Cover	N119-1
26	1/4"-20NC x 3/8" Lg. PHMS Plated	40063
27	Slider block	FJ7360
28	20mm Concrete Anchor	W140210
29	1-1/2" O.D. x .760-.770" I.D. x .045" Bushing	41388
30	Wiring Chase	FA929
	Rib Gasket	FA7211-22
31	#8-32 Type B x 5/8" Lg. PHTS	41457
32	Upper Web Cover	FA932
33	Lower Web Assembly	FA933
34	Spotting Wheel Dish Kit	FF729
35	Restraint Gear	N2122
36	3/8"-16 NC x 3/4" Long Flanged HHCS	40124
37	Overhead Hose	
	Standard Height	N337
	EH-1	N338
	EH-2	N339
38	Equalizer Cables	
	Standard Height	N39
	EH-1	N312
	EH-2	N313
39	Horse Shoe Shim	FJ716-6
40	Front Shim	FJ659-3
41	3/8"-16NC x 1" Flanged HHCS	40144
42	3/8"-16NC Flanged Locknut	40664
43	Sheave Shaft	FJ7444-8
44	Slider Block Shim	N115
45	Male Extension With ORing	N332
46	Hose Clip (4 req'd-Overhead)	FJ7206
47	#12 Type B x 1/2" Lg. Sl. HWHTS	40057
48	5/16"-18NC x 3/8" PHMS	40227
49	Female Swivel Tee	N331
50	Hose Clip (6 req'd-Column)	FJ7499
51	3/8"-16NC x 1/2" Flanged HHCS	40129
52	Photosensor	N428
53	Overhead Photosensor Bracket	N428-1
54	Reflector Tape	N443
55	Reflector Bracket Assembly	N428-2

56	4" Adapter Extension	FJ6143
57	Spring Pin-1/4" dia. x 1-1/2" Lg. (Stainless)	14427
58	Hose Grommet	FA7180-32
59	3/8"-16NC x 1-1/2" HHCS Grade 8	-----
60	3/8" Spring Washers	40815
61	3/8" Internal Tooth Washer	40843
62	3/8"-16NC x 5/8" Lg. HHCS Grade 8	40155
63	Outer Arm Weldment	N2131-1
64	Inner Arm Weldment	N283-2
65	Sprinter Outer Arm Weldment	N27-1
66	Sprinter Middle Arm Weldment	N27-5
67	Sprinter Inner Arm Weldment	N27-8
68	Master Control Panel	FA7229
	Slave Control Panel	FA7212-5
	Edge Gasket	FA7211-23
69	Air Tool Holder Weldment	FA5162
70	L.H. Overhead Weldment (Outer)	N437-1
71	R.H. Overhead Weldment (Inner)	N438-1
72	Junction Box	FA7211-3
	#12-24NC x 3/4" PHMS	41526
	#12-24NC Nut	40650
	#12 External Tooth Lockwasher	41527
73	Slave Control Cable Extension	
	Standard Height	FA7180-43
	EH-1	FA7180-55
	EH-2	FA7180-44
74	Photosensor Cable Extension	
	EH-1	FA7180-45
	EH-2	FA7180-46
75	5/16"-18NC x 3/8" PHMS (for Control Panels/Tool Holders)	40227
76	Wire Grommet	FA7180-31
77	Mounting Bracket	N440
78	Lower Photosensor Bracket	N442-2
79	Adapter Assembly	FJ6166
80	Lower Photosensor	N428-6
81	Tie Bar	N165-2
82	Overhead Stiffener Angle	N417-3
83	8" Adapter Extension	FJ6144
84	Rack for Adapter Extensions	FJ6145
85	Cord Grip	FA7188-7
	Cord Grip Nut	FA7188-10
86	90° Cord Grip	P1164-4
87	Sprinter Adapter Assembly	FJ6166



E and I Series Parts List



World Headquarters:
Rotary Lift
A  **DOVER** COMPANY
2700 Lanier Drive
Madison, Indiana USA
Phone: 1.800.445.5438
Phone: 1.812.273.1622
Fax: 1.800.578.5438
Fax: 1.812.273.6502
userlink@rotarylif.com
www.rotarylif.com

Italy:
(Regional Sales Office)
Rotary Lift Europe S.r.l.
Cadriano (BO)
Phone: +39.051.763384
Fax: +39.051.763395
info@rotaryeurope.com

Germany:
(European Sales Headquarters)
Rotary Lift Germany GmbH
Bensheim
Phone: +49.6251.582.6420
Fax: +49.6251.582.6422
sales@rotarylif.de

United Kingdom:
(Regional Sales Office)
Rotary Lift (UK) LTD.
Halstead, Essex
Phone: +44.178.747.7711
Fax: +44.178.747.7720
sales@rotarylif.idps.co.uk

Canada:
(Regional Sales Office)
Rotary Lift Canada
Mississauga, Ontario
Phone: 905.812.9920
Fax: 905.812.9719
canada@rotarylif.com

Austral-Asia:
(Regional Sales Office)
Rotary Lift Austral/Asia
Petaling Jaya, Malaysia
Phone: +60.3.7660.0285
Fax: +60.3.7660.0289
rlim@rotarylif.com

